

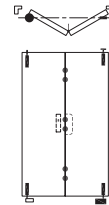
This Guide to Quantities is only applicable to Data Sheets E170 and E175.

Specification for Individual Panels

Track System	Weatherfold 5c 80
Refer to Data Sheet	E170
Max Panel Height	3000mm
Max Panel Weight	80kg
Max Panel Width	1000mm
Min Panel Thickness	38mm
Max Number of Panels	8 each direction

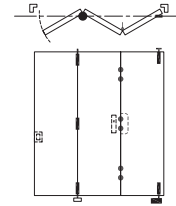
2 Panel Unit

	Quantities	Product Codes
Sill	1	98HSC-A20
Pivot Set	1	BWC1-80H
Hinge Handle Set	1	BW3-100H
End Roller Set Left	1	BWC2L-80SH
Dual Point Lock	1	286
Channel	1	98C-A20



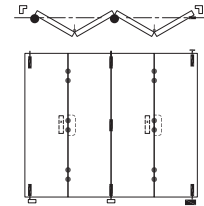
3 Panel Unit

	Quantities	Product Codes
Sill	1	98HSC-A30
Pivot Set	1	BWC1-80H
Offset Hinge Handle Set	1	BW7-100H
Intermediate Roller Set	1	BWC4-80SH
Dual Point Lock	1	286
Channel	1	98C-A30



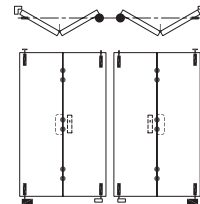
4 Panel Unit

	Quantities	Product Codes
Sill	1	98HSC-A40
Pivot Set	1	BWC1-80H
Offset Hinge Handle Set	2	BW7-100H
Intermediate Roller Set	1	BWC4-80SH
End Roller Set Left	1	BWC2L-80SH
Dual Point Lock	2	286
Channel	1	98C-A40



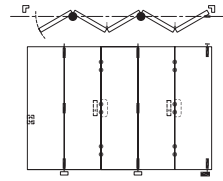
2+2 Panel Unit

	Quantities	Product Codes
Sill	1	98HSC-A40
Pivot Set	2	BWC1-80H
Hinge Handle Set	2	BW3-100H
End Roller Set Left	1	BWC2L-80SR*
End Roller Set Right	1	BWC2R-80SR*
Dual Point Lock	2	286
Channel	1	98C-A40



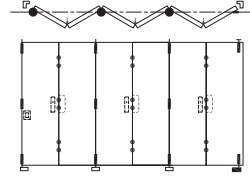
5 Panel Unit

	Quantities	Product Codes
Sill	1	98HSC-A58
Pivot Set	1	BWC1-80H
Offset Hinge Handle Set	1	BW7-100H
Intermediate Roller Set	2	BWC4-80SH
Hinge Handle Set	1	BW3-100H
Dual Point Lock	2	286
Channel	1	98C-A60



6 Panel Unit

	Quantities	Product Codes
Sill	1	98HSC-A58
Pivot Set	1	BWC1-80H
Offset Hinge Handle Set	2	BW7-100H
Intermediate Roller Set	2	BWC4-80SH
Hinge Handle Set	1	BW3-100H
End Roller Set Left	1	BWC2L-80SH
Dual Point Lock	3	456*
Channel	1	98C-A60



Standard sill 98HSC can be substituted for 98HSD if timber nose will be added.

Left hand opening systems shown, for right hand opening systems substitute BWC2L-80SH for BWC2R-80SH

*Note, for aluminium systems refer to data sheet E175. On 2+2 units replace BWC2L-80SR and BWC2R-80SR for BWC2L-80SH and BWC2R-80SH respectively and increase clearance between meeting panels.

Application

For residential and commercial folding systems where weatherproofing of the opening is required.

This section covers Weatherfold 5c 80 hardware suitable for non mortice timber applications.

Brio Weatherfold 5c 80 hardware eliminates the need for a reinforced structural beam above the opening as all the doors weight is carried by a large diameter, horizontal bottom roller. Rollers come standard with stainless steel precision bearings.

Panel Specification

Track System:	Weatherfold 5c 80
Max Panel Height	3000mm
Max Panel Weight	80kg
Max Panel Width	1000mm
Panel Thickness	38mm
Max Number of Panels	8 each direction

Hardware Specification

Sills:	
Standard Sill	98HSC
Sill For Timber Nose	98HSD
Material	Aluminium clear anodised
Standard Lengths	2000mm, 3000mm, 4000mm and 5800mm

Roller Sets:	
Intermediate Roller Set:	BWC4-80SH
End Roller Set Left	BWC2L-80SH
End Roller Set Right	BWC2R-80SH
End Rebate Roller Set Left	BWC2L-80SR
End Rebate Roller Set Right	BWC2R-80SR

Pivot Set:	BWC1-80H
------------	----------

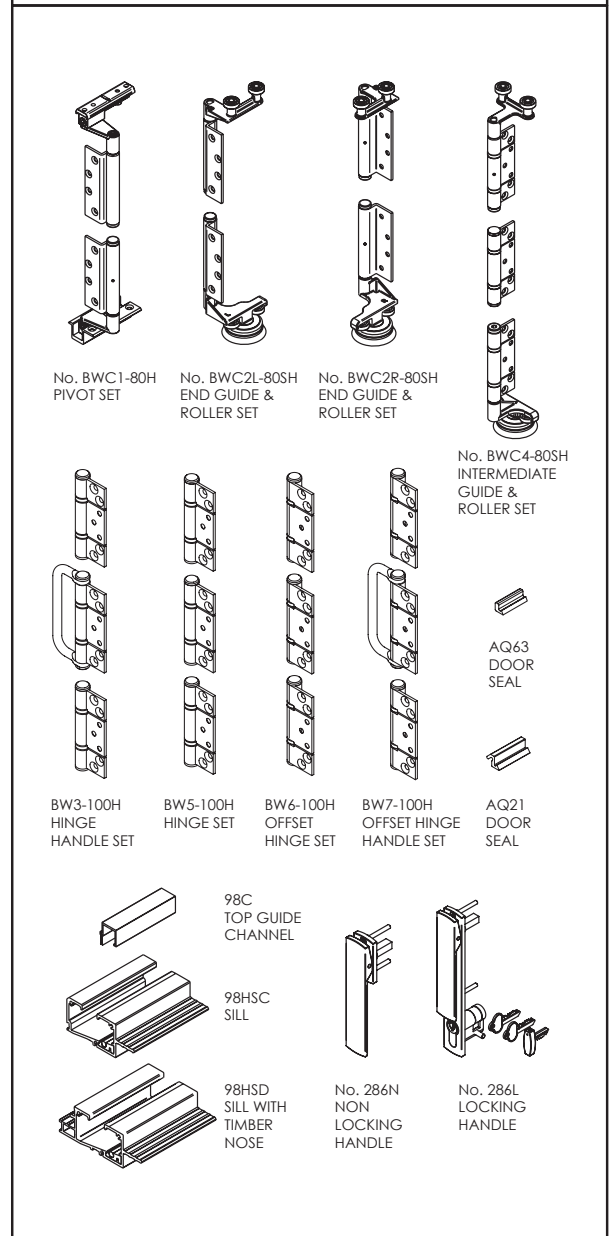
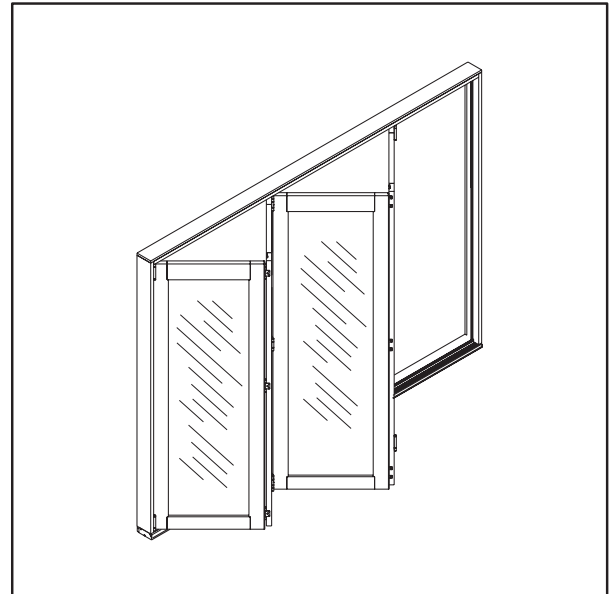
Jamb Pivot:	BW189H
-------------	--------

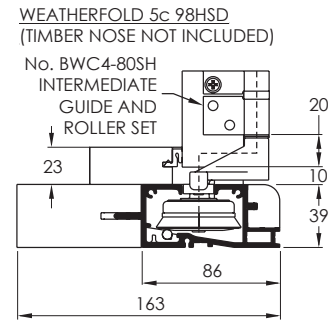
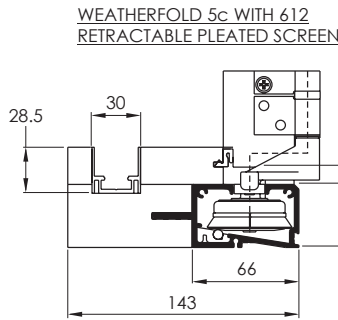
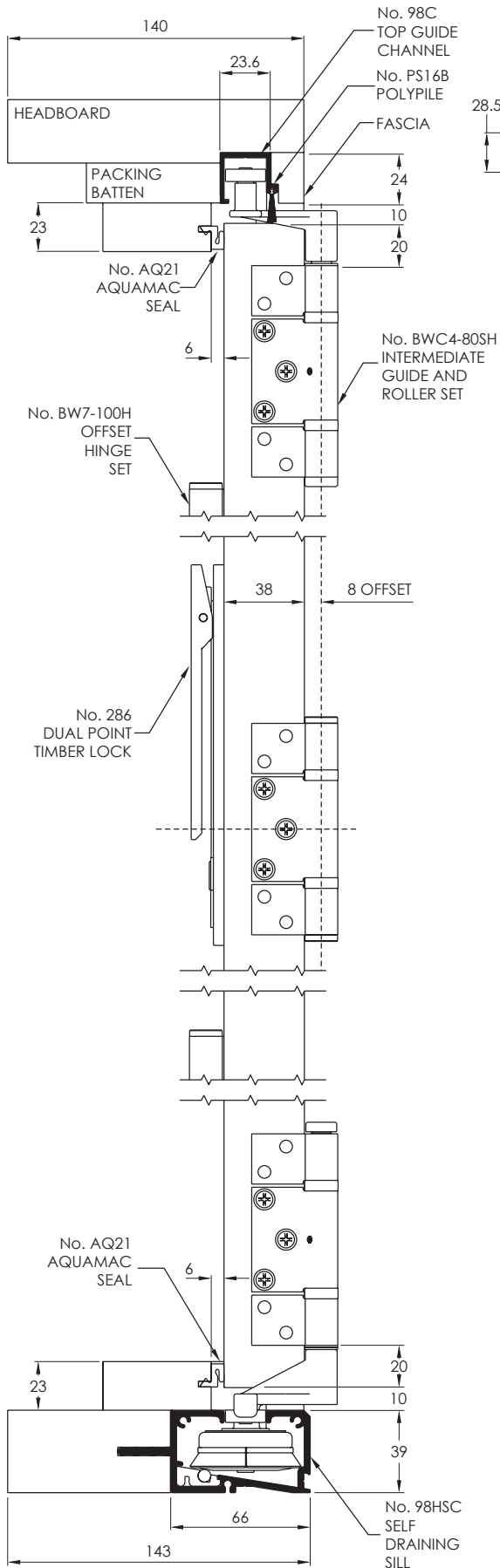
Hinge Sets:	
Hinge Handle Set	BW3-100H
Offset Hinge Handle Set	BW7-100H
Hinge Set	BW5-100H
Offset Hinge Set	BW6-100H

Channel:	98C
Material	Aluminium clear anodised
Standard lengths	2000mm, 3000mm, 4000mm and 6000mm

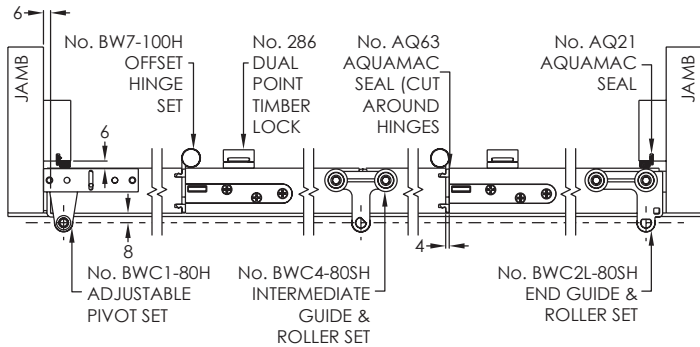
Accessories:	
Lock Body - 35mm back set	286T/35
Lock Body - 45mm back set	286T/45
Non Locking Handle	286N
Locking Handle 38-44mm panel	286L-30
Locking Handle 44mm+ panel (Rod pack dependant on panel)	286L-30
Security Aligner	199SS
Frame Seal - White	AQ21W
Frame Seal - Brown	AQ21B
Door Seal - White	AQ63W
Door Seal - Brown	AQ63B

Finish options
Dual Point Lock: (SS) Satin Stainless, (SN) Satin Nickel, (PBR) Powdercoat Black
Hardware: (SS) Satin Stainless

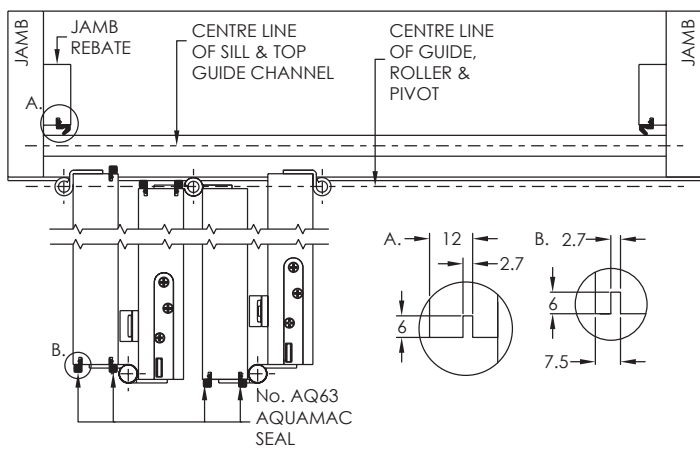




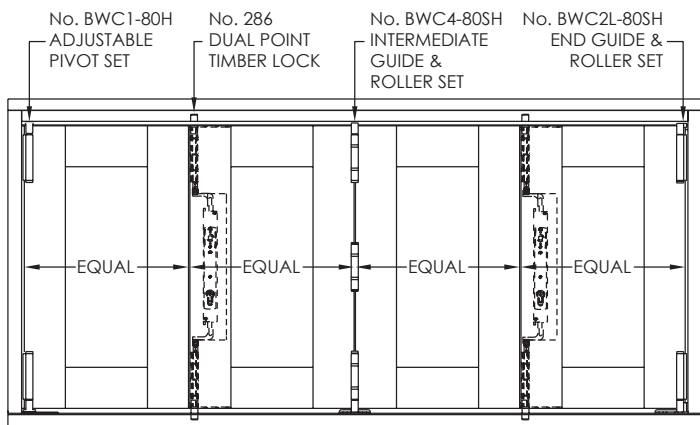
4+0 PANEL OUTWARD OPENING SYSTEM - CLOSED (SHOWN WITHOUT TRACK OR HEAD SECTION)



4+0 PANEL OUTWARD OPENING SYSTEM - OPEN (SHOWN WITHOUT HEAD SECTION)



4+0 PANEL OUTWARD OPENING SYSTEM - CLOSED (TYPICAL OUTSIDE ELEVATION)



Application

For residential and commercial folding systems where weatherproofing of the opening is required.

This section covers Weatherfold 5c 80 hardware suitable for non mortice aluminium applications.

Brio Weatherfold 5c 80 hardware eliminates the need for a reinforced structural beam above the opening as all the doors weight is carried by a large diameter, horizontal bottom roller. Rollers come standard with stainless steel precision bearings.

Panel Specification

Track System:	Weatherfold 5c 80
Max Panel Height	3000mm
Max Panel Weight	80kg
Max Panel Width	1000mm
Panel Thickness	38mm
Max Number of Panels	8 each direction

Hardware Specification

Sills (if required):	
Standard Sill	98HSC
Material	Aluminium clear anodised
Standard Lengths	2000mm, 3000mm, 4000mm and 5800mm

Roller Sets:	
Intermediate Roller Set:	BWC4-80SH
End Roller Set Left	BWC2L-80SH
End Roller Set Right	BWC2R-80SH

Pivot Set:	BWC1-80H
-------------------	----------

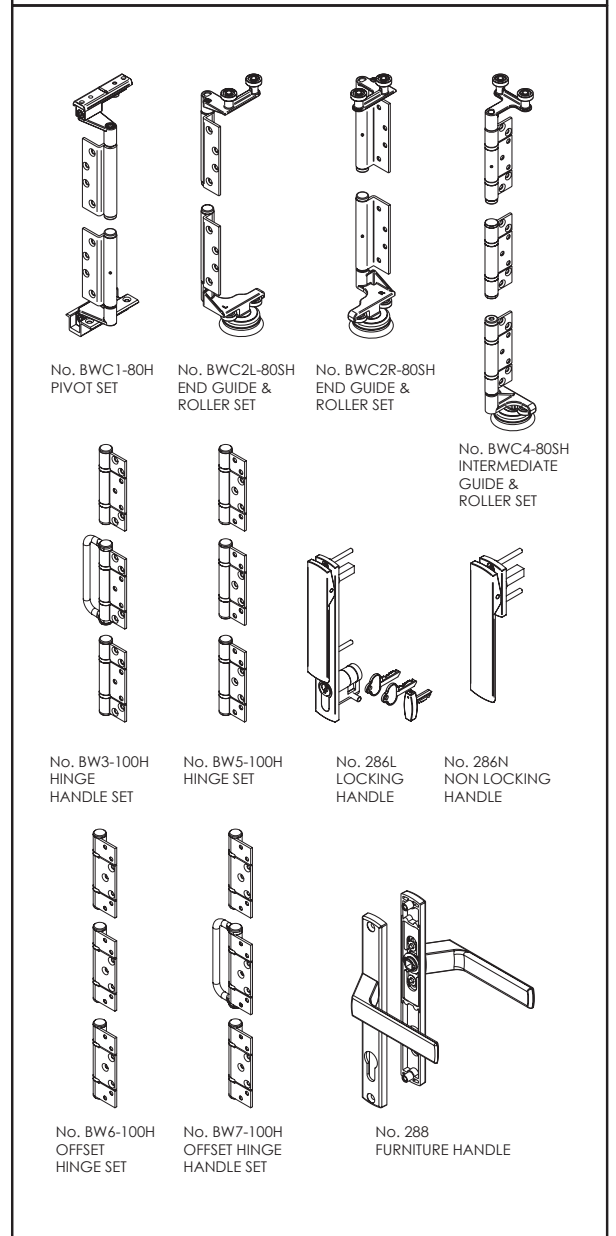
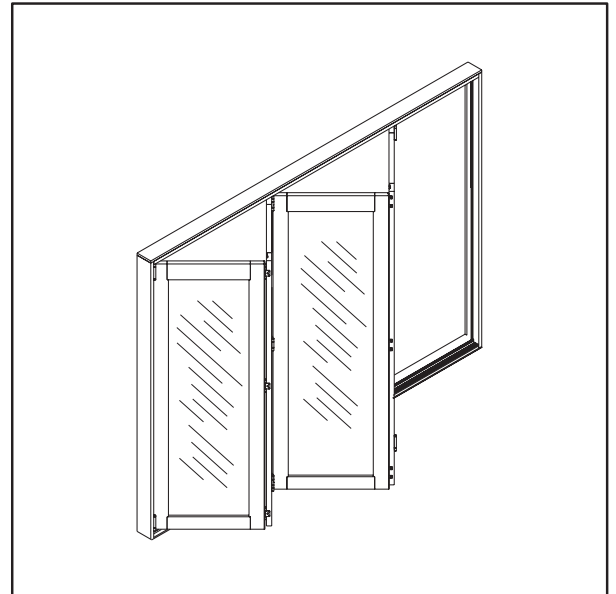
Jamb Pivot:	BW189H
--------------------	--------

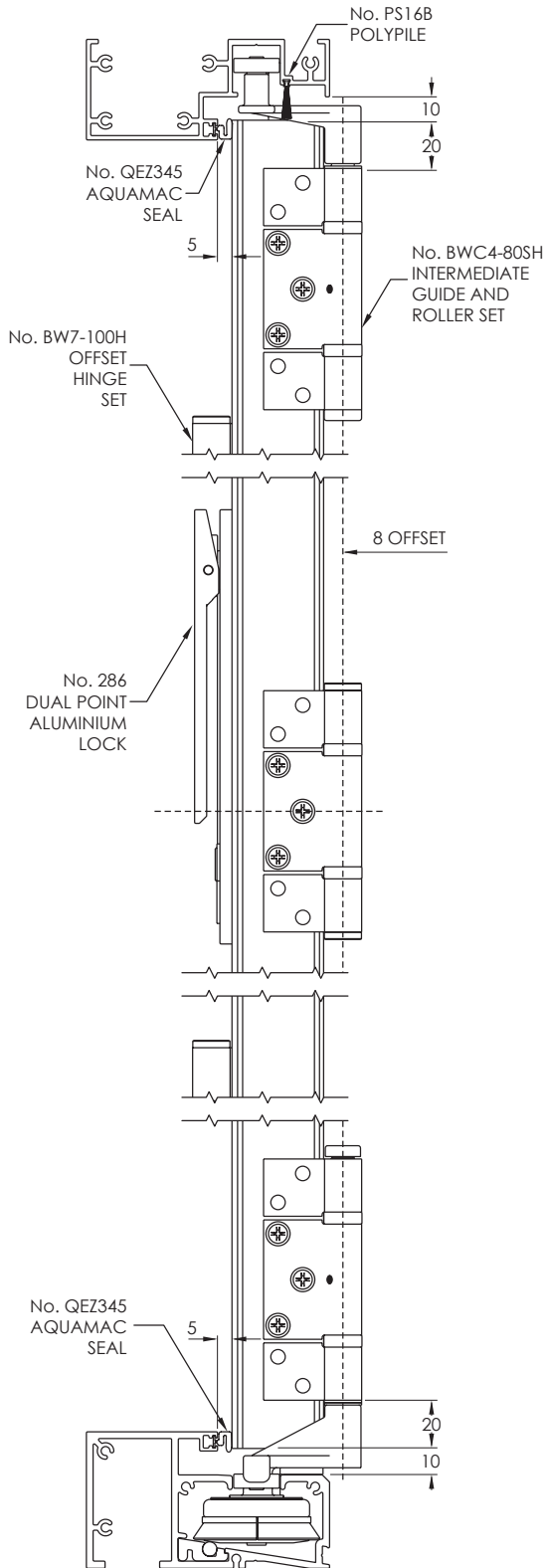
Hinge Sets:	
Hinge Handle Set	BW3-100H
Offset Hinge Handle Set	BW7-100H
Hinge Set	BW5-100H
Offset Hinge Set	BW6-100H

Channel (if required):	98C
Material	Aluminium clear anodised
Standard lengths	2000mm, 3000mm, 4000mm and 6000mm

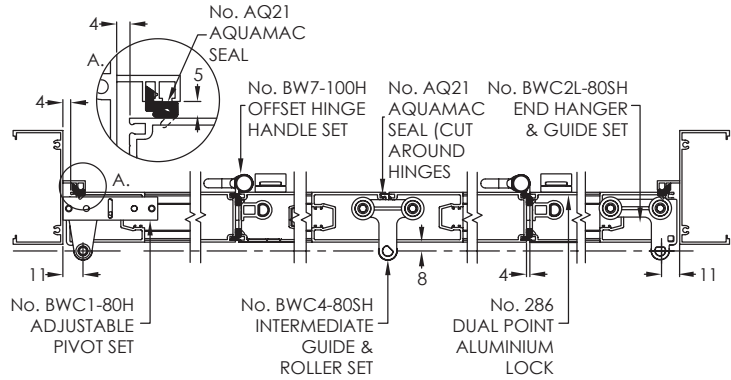
Accessories:	
Lever Furniture	288
Lock Body	286A
Non Locking Body	286N
Locking Handle	286L-40
(Rod pack dependant on panel)	

Finish options
 Dual Point Lock: (SS) Satin Stainless, (SN) Satin Nickel, (PBR) Powdercoat Black
 Hardware: (SS) Satin Stainless

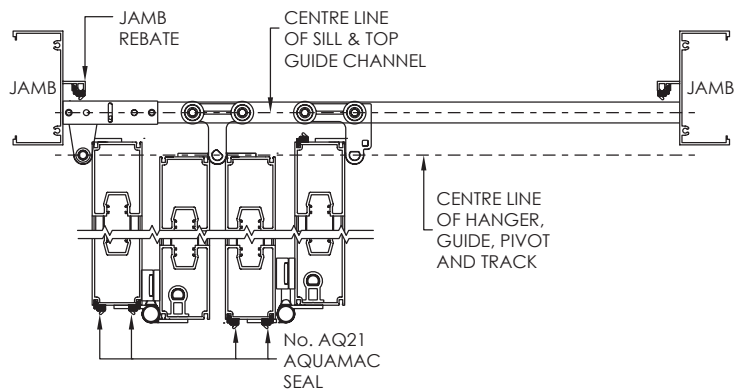




4+0 PANEL OUTWARD OPENING SYSTEM - CLOSED
(SHOWN WITHOUT TRACK OR HEAD SECTION)



4+0 PANEL OUTWARD OPENING SYSTEM - OPEN
(SHOWN WITHOUT HEAD SECTION)



4+0 PANEL OUTWARD OPENING SYSTEM - CLOSED
(TYPICAL OUTSIDE ELEVATION)

