



Multifold 30 Fitting Instructions

Brio Australia
 P: +61 2 87186718
 W: brio.com.au
 E: brio.sales@allegion.com

Brio UK
 P: +44 191 2291224
 W: briouk.com
 E: brio.sales.uk@allegion.com

Brio USA
 P: +1 585 3195599
 W: briousa.com
 E: brio.sales.usa@allegion.com

Requirements Door & Hardware

Capacities

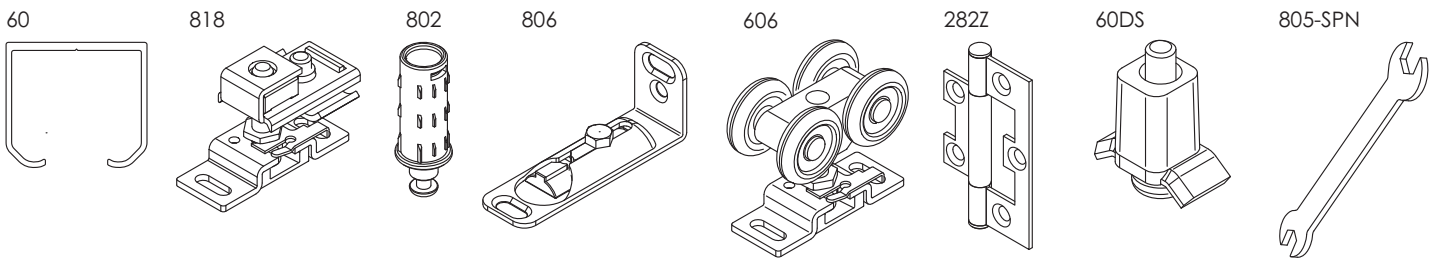
Check your interior folding doors are within the size & weight capacities of this system.

MAXIMUM LEAF HEIGHT	2400mm
MAXIMUM LEAF WIDTH	650mm
MINIMUM LEAF THICKNESS	19mm
MAXIMUM LEAF WEIGHT	30kg

Pack Capacities

REF. No.	DESCRIPTION
MF30-2PK	Basic pack of fittings for first 2 leaves
MF30-APK	Add-On pack of fittings for additional 2 leaves
MK30-13/2	Basic pack of fittings for first 2 leaves with 1300mm length of track
MF30-4PK	4 Door Pack
MF30-6PK	6 Door Pack

Pack Components

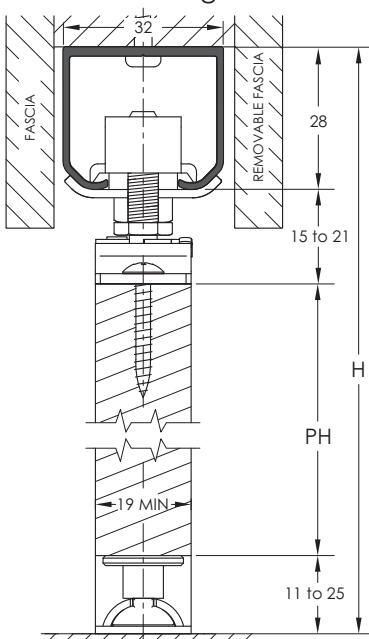


PACKS

	60-13	818	802	806	606	282Z	60DS	805-SPN
MF30-2PK		X1	X1	X1	X1	X3	X1	X1
MF30-APK					X1	X6		X1
MF30-13/2	X1	X1	X1	X1	X1	X3	X1	X1
MF30-4PK		X1	X1	X1	X2	X9	X1	X1
MF30-6PK		X1	X1	X1	X3	X15	X1	X1

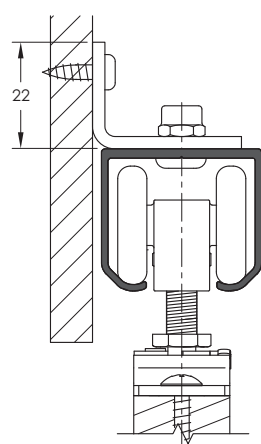
Panel Size Calculation

PH = Panel Height



PH = H - 54 min (without guide)
 PH = H - 59 min (with guide)

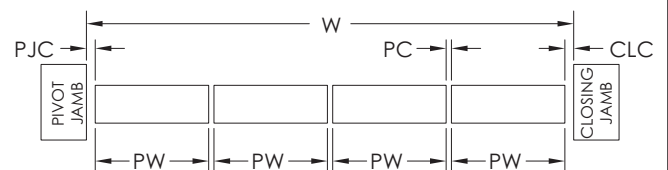
Face Fix Alternative



Bracket Qty Required for Track Lengths

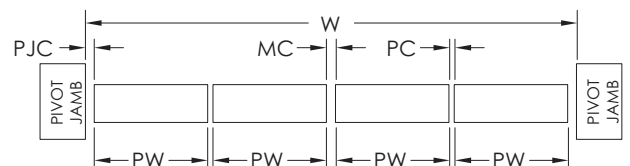
Track Length	Bracket Qty.
900	4
1250	5
1700	7
2100	8
2500	10
3000	12
3805	15
5105	19
6000	23

Multifold 30 allows for equal size panels



N = No. of Panels
 PW = Panel Width
 PJC = Jamb Clearance Pivot End = 6[0.24]
 CJC = Jamb Clearance Closing End = 7[0.28]
 PC = Panel = 1.5[0.06]

$$PW = \frac{W - [(PC(N-1) + PJC + CJC)]}{N}$$

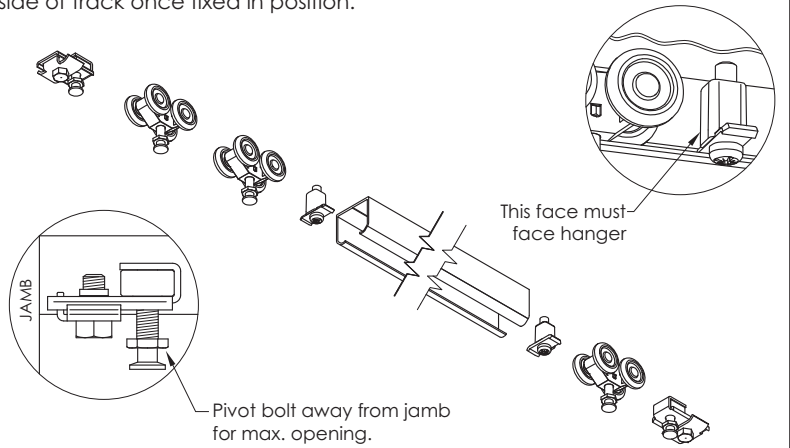
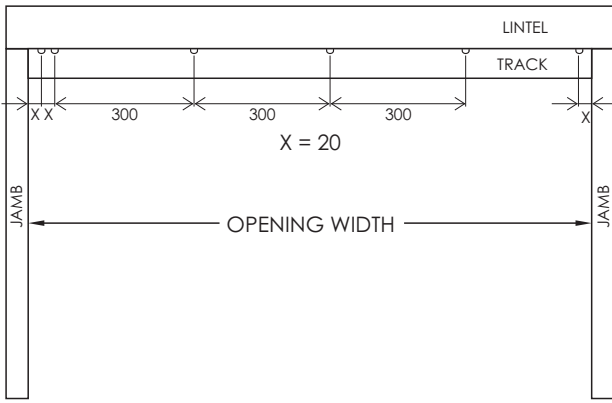


If 2 units meet each other
 MC = Meeting Unit Clearance = 5[0.20]

$$PW = \frac{W - [(PC(N-2) + 2(PJC) + MC)]}{N}$$

Install the Track 4 + 2 Leaf End Folding System Shown.

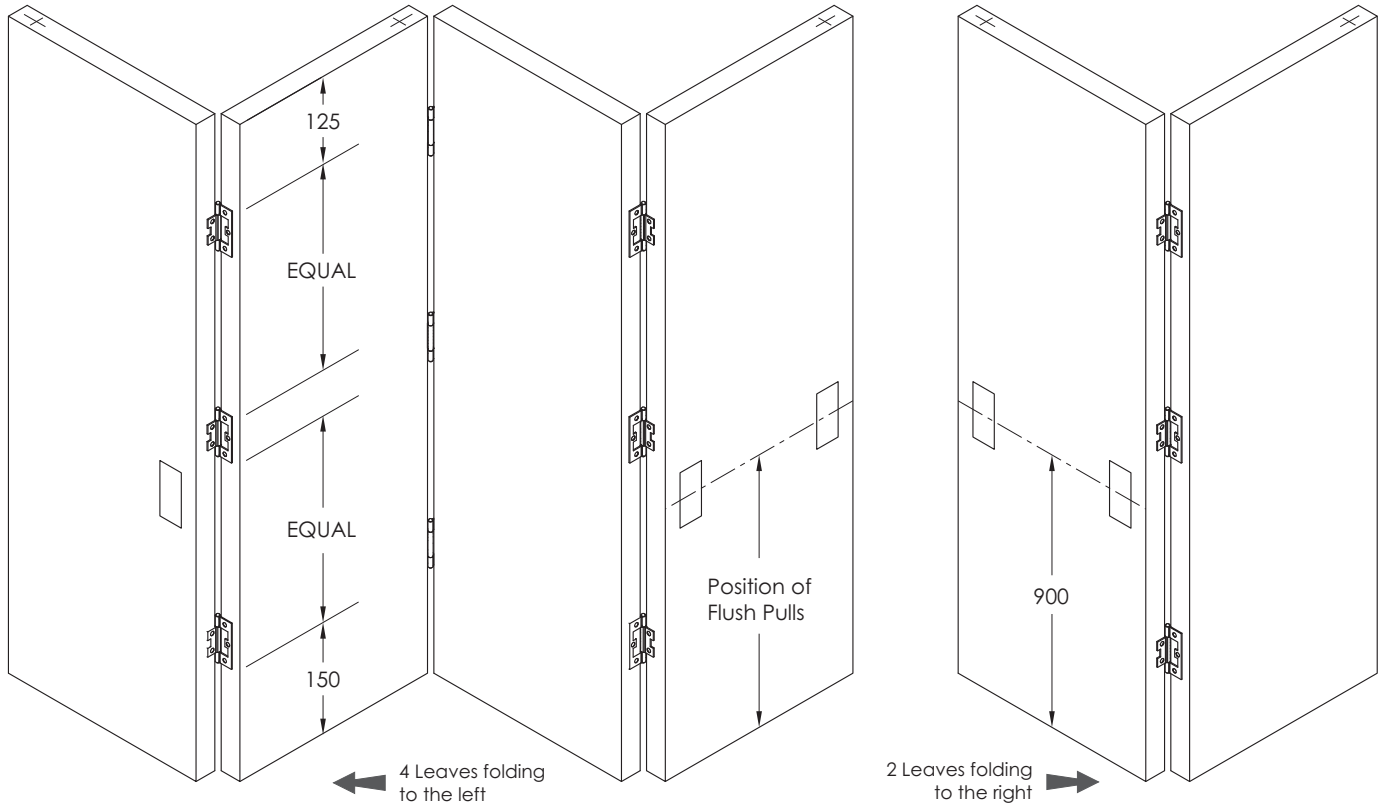
Cut the track to fit opening width between jambs. Insert all hangers, top pivots and door stops required for your application in the correct order into the track. Then screw track into lintel. Clean down inside of track once fixed in position.



Fit Hardware on Leaves 4 + 2 Leaf End Folding System Shown.

Attach Hinges as shown below

(For MDF applications it is recommended that panels be pre-drilled before fixing screws)

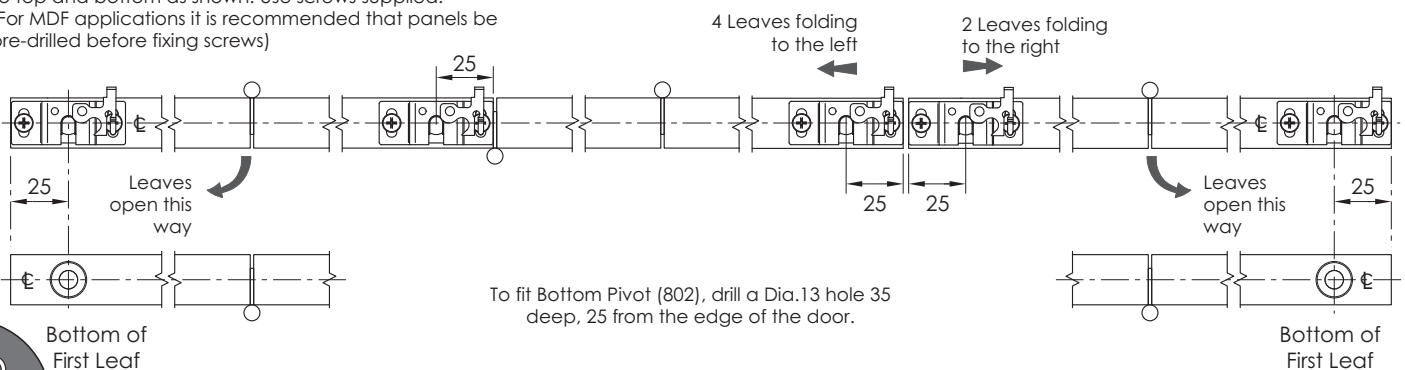


Position flush pulls as shown in positions shown in Hardware Orientation on page 4.

If door knobs are preferred, they need not be fitted until the end. Note - on a 5½ or 6 leaf unit, door knobs cannot be fitted on the middle leaves. Flush pulls are recommended for these applications. Sold separately.

Fit Pivot and Hanger Plates

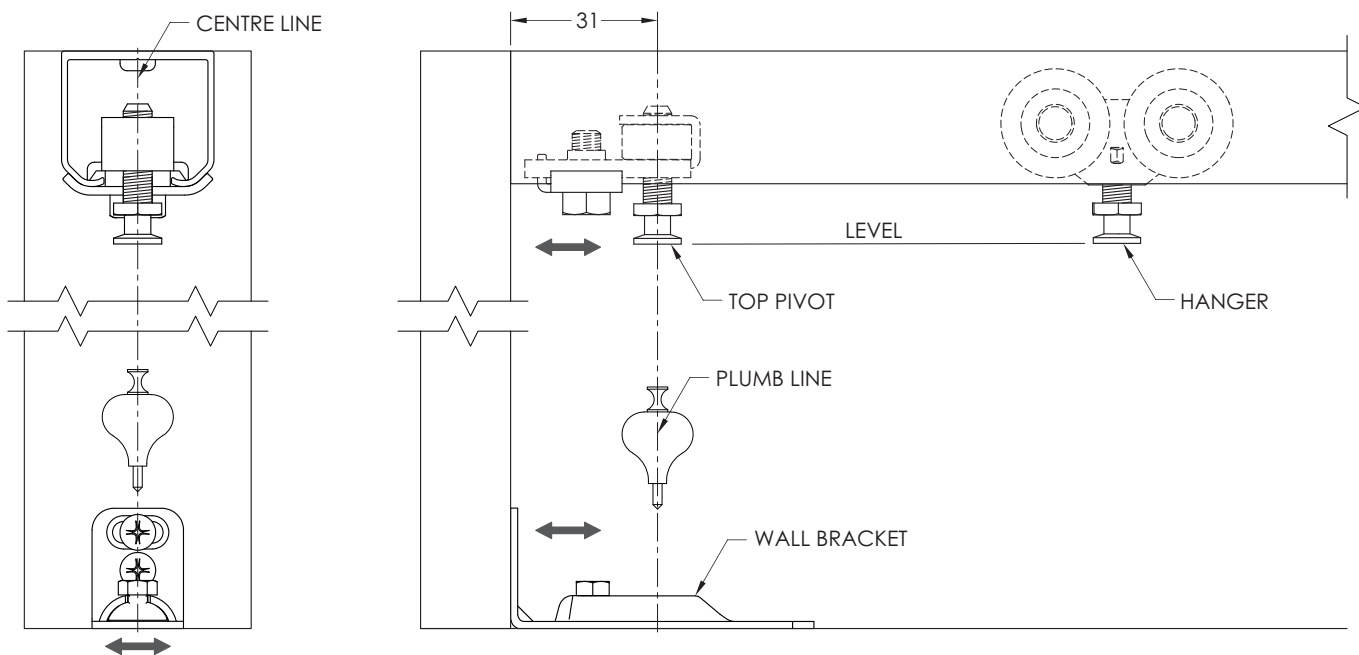
To top and bottom as shown. Use screws supplied.
(For MDF applications it is recommended that panels be pre-drilled before fixing screws)



To fit Bottom Pivot (802), drill a Dia.13 hole 35 deep, 25 from the edge of the door.

Position Top Pivot Plate & Wall Bracket

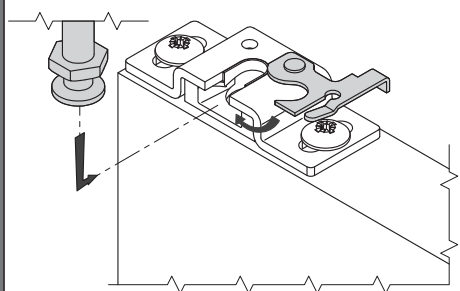
Fit top pivot into position. Centre of floor bracket to be plumb below the centre line of track. Fasten bracket using screws supplied.



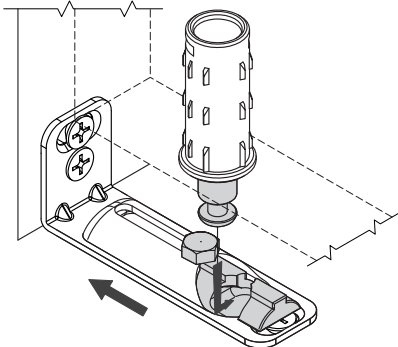
Fit Leaves

With clips on plates open & plastic of wall bracket protruding

Insert bolt of pivot into plate on leaf.

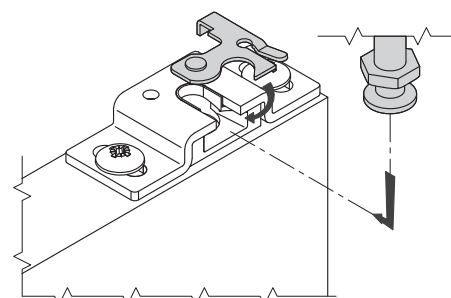


Secure bolt retainer plate.



Compress spring loaded pivot & insert into wall bracket. Slide plastic into wall bracket.

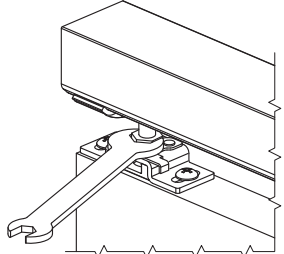
Insert bolts of hangers into plates on leaves.



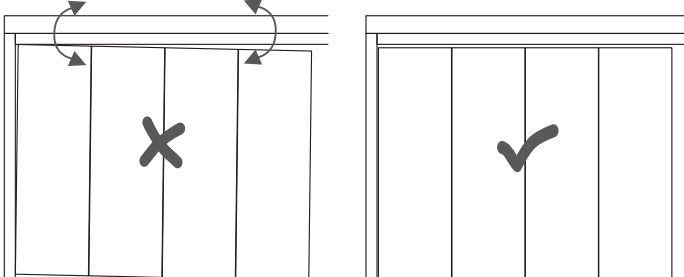
Secure bolt retainer plate.

Adjust Height & Align Leaves

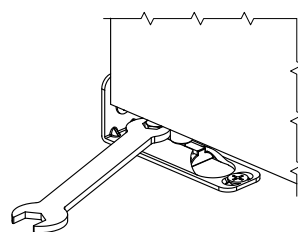
Screw Top Pivot and Hangers to adjust height.



Adjust all hangers & top pivots until leaves are level with track

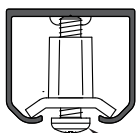


Once leaves are level lock off bottom pivot.

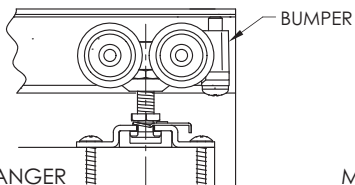


Close Leaves & Fit Bumper

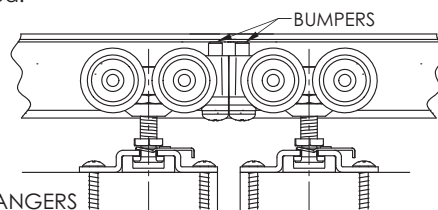
Close leaves and slide Bumper until it touches the hanger. Open leaves and move Bumper 3mm closer to the Pivot. Tighten Bumper into top of track. Leaves should then 'Snap' into place when being closed.



No. 60DS
BUMPER



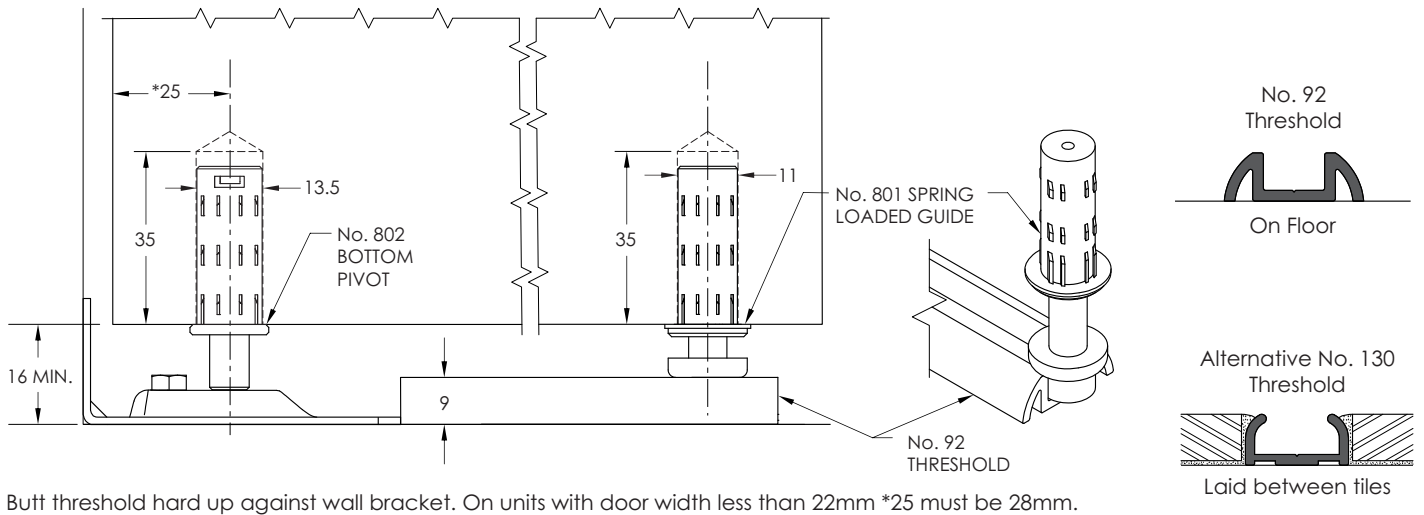
END HANGER



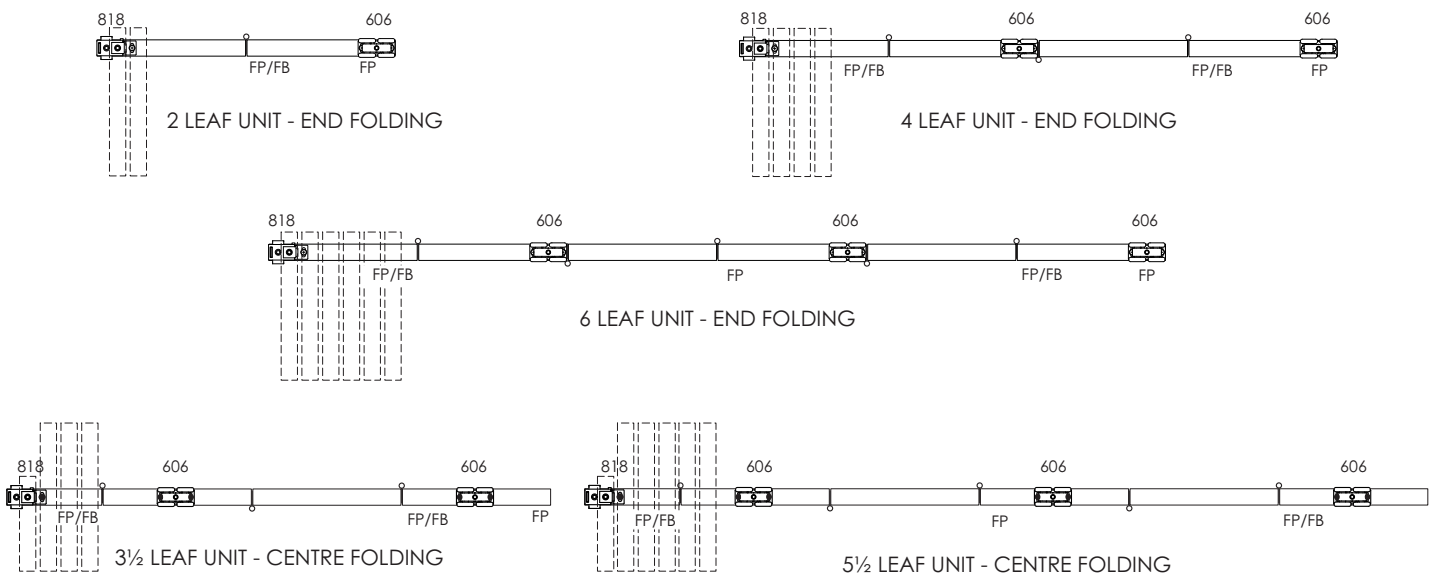
MEETING HANGERS

Floor Guide System Must be used on end folding units of three leaves or more

Use surface mounted threshold No. 92, with 801 spring loaded guides on every second leaf. Guides must be centred directly below the hanger centerline.



Door Hardware Set Orientation FB = Flush Bolt, FP = Flush Pull. Left systems shown



System Overview

