

### Applications

Brio's Open Round Rail Glass is an ideal internal system for residential and commercial applications of toughened glass panels with exposed hangers and rail.

Open Round Rail Glass 100 hangers are 304 stainless steel with precision bearings.

### Panel Specification

**Track System:**

For Individual Panels:

Max Panel Height  
Max Panel Width  
Max Panel Weight  
Panel Thickness

**Open Round Rail Glass 100**

3000mm  
2000mm  
100kg  
8-12mm

### Standard Packs

Packs include hangers, door stops, guide, handle, brackets and fixings.

**Pack No.**

ORG100  
ORG100PR

**Finishes**

Stainless Steel  
PVD Black

### Hardware Specification

**Track:**

Material  
Standard lengths  
Finishes

100OR  
Stainless Steel  
2000mm, 2500mm, 3000mm and 4000mm  
Stainless Steel and PVD Black (except 4000mm)

**Support Bracket:**

Support bracket

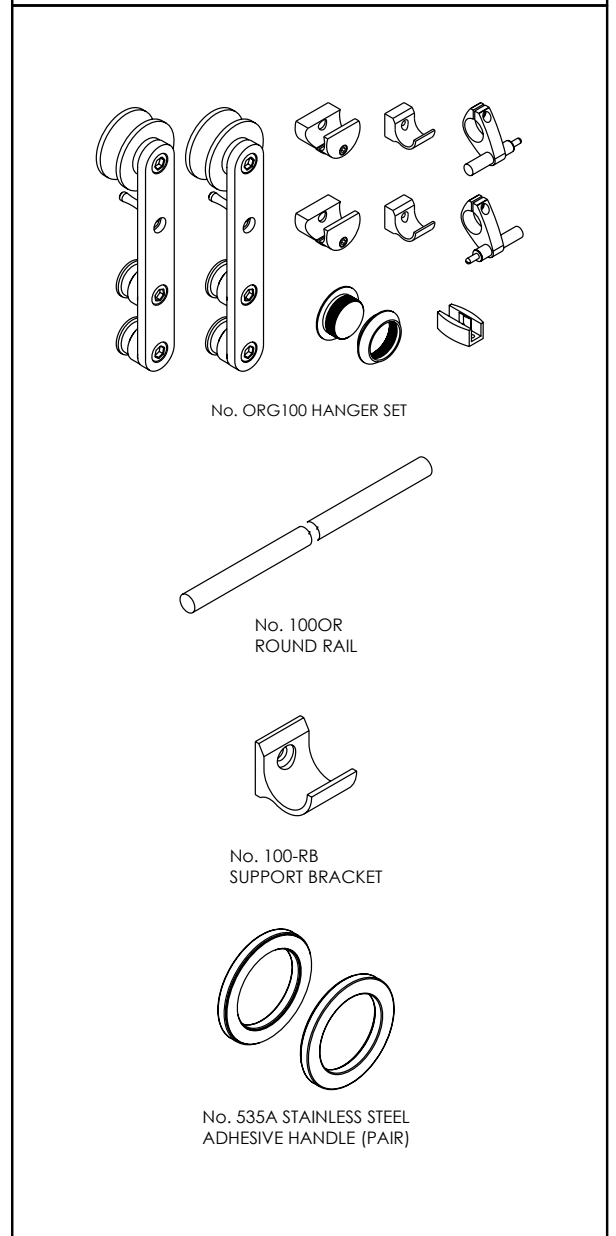
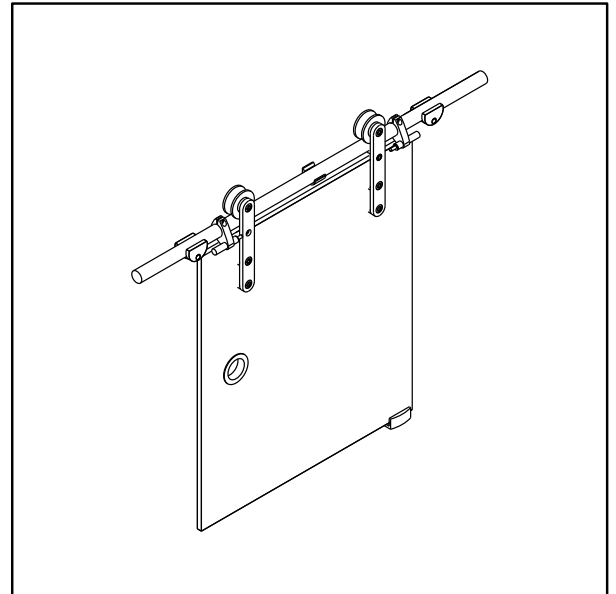
100-RB or 100-RBPR

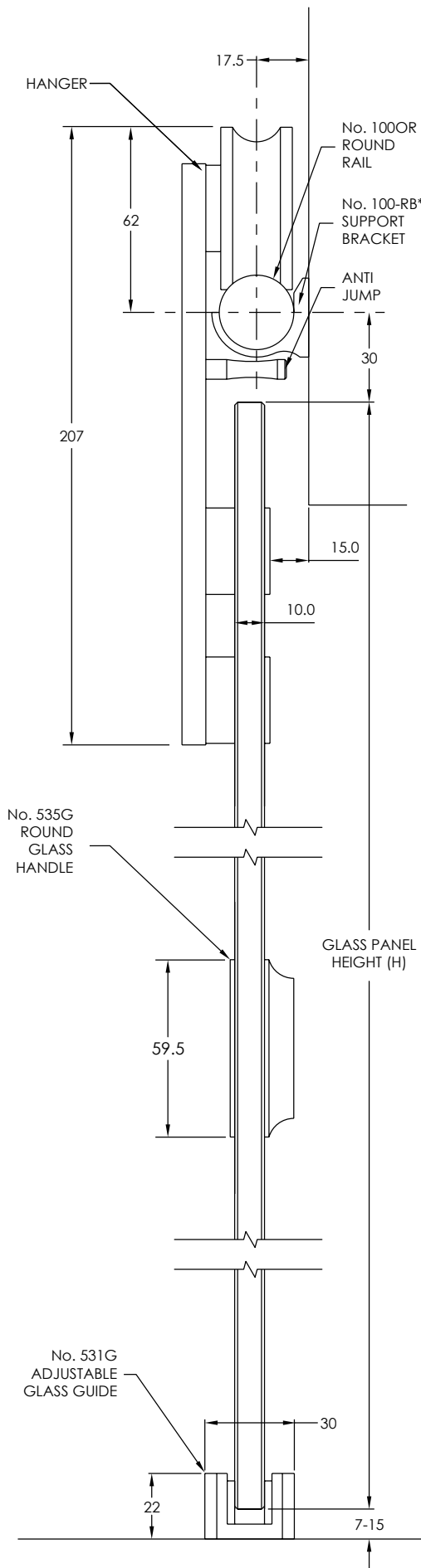
**Accessories:**

Handle

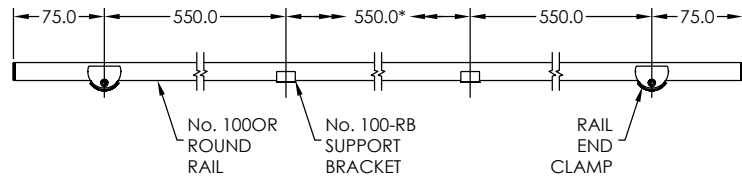
535A

Only available in stainless steel finish



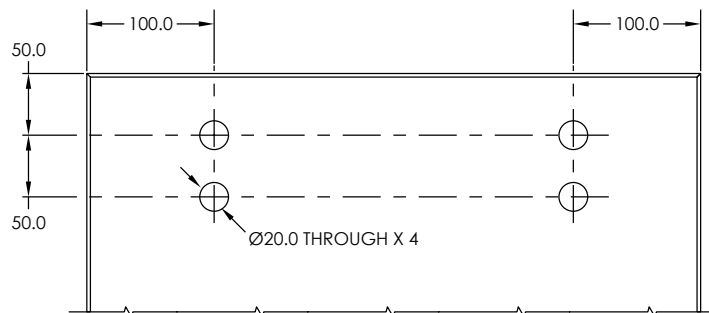


### BRACKET PLACEMENT

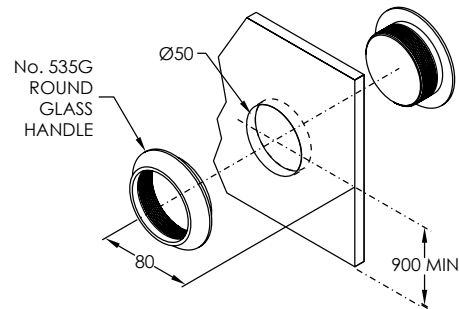


RAIL LENGTH	*ADDITIONAL No. 100-RB REQUIRED
2500mm	1
3000mm	2
4000mm	4

### GLASS PREPARATION

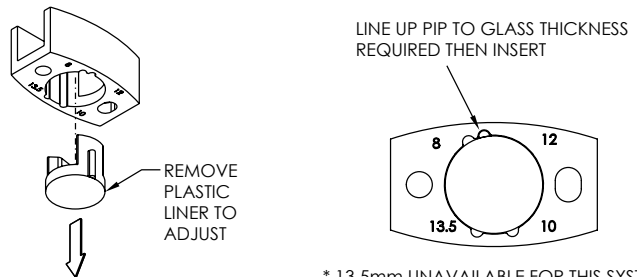


### ROUND GLASS HANDLE



### ADJUSTABLE GLASS GUIDE

CAN BE ADJUSTED TO SUIT 8, 10, 12mm THICK GLASS\*



\* 13.5mm UNAVAILABLE FOR THIS SYSTEM

### GLASS PANEL SIZES

PANEL THICKNESS	MAX AREA	MAX HEIGHT	MAX WIDTH *
8mm (20kg/m <sup>2</sup> )	5m <sup>2</sup>	3m	1.7m
10mm (25kg/m <sup>2</sup> )	4m <sup>2</sup>	3m	1.3m
12mm (30kg/m <sup>2</sup> )	3.3m <sup>2</sup>	3m	1.1m

\* MAX WIDTH INCREASE AS HEIGHT INCREASES