

Applications

Brio's Open Round Rail Timber Top Fix is an ideal internal system for residential and commercial applications of timber panels with exposed hangers and rail.

The easy to install hangers are 304 stainless steel with precision bearings.

Panel Specification

Track System:

For Individual Panels:

Max Panel Height
Max Panel Width
Max Panel Weight
Panel Thickness

Open Round Rail Timber Top Fix100

3000mm
2000mm
100kg
35-44mm

Standard Packs

Packs include hangers, door stops, guide, handle, brackets and fixings

Pack No.

ORT100
ORT100PR

Finish

Stainless Steel
PVD Black

Hardware Specification

Track:

Material
Standard lengths
Finishes

100OR
Stainless Steel
2000mm, 2500mm, 3000mm and 4000mm
Stainless Steel and PVD Black (except 4000mm)

Guides:

Stainless precision bearing
Nylon spring loaded guide

106E/94
108N/814

Channels:

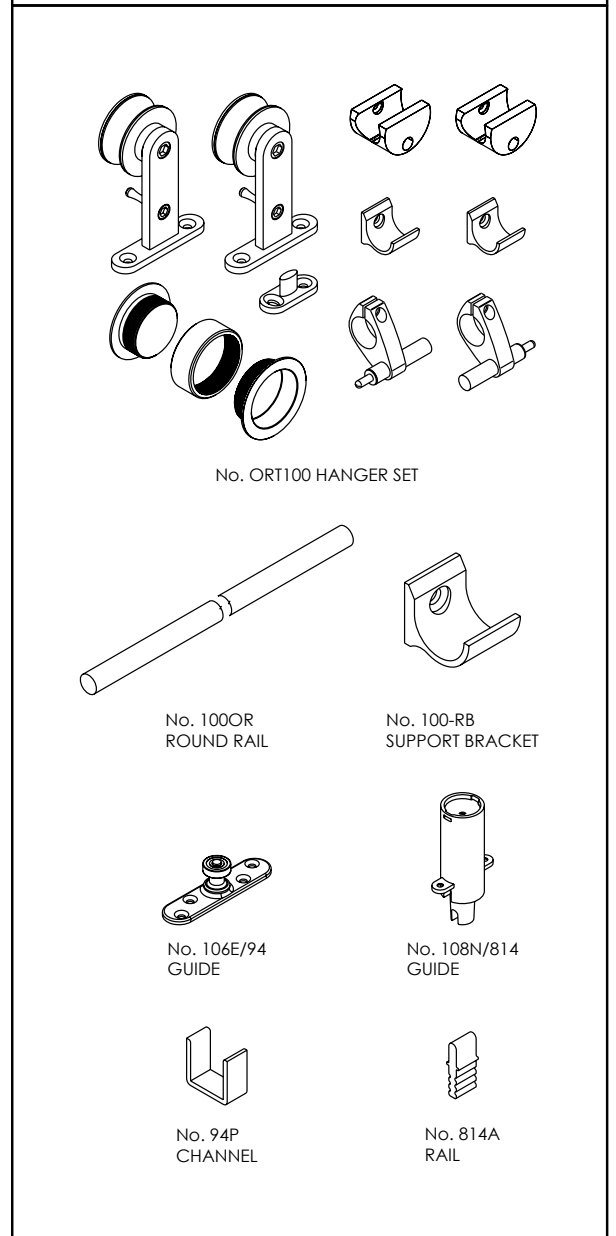
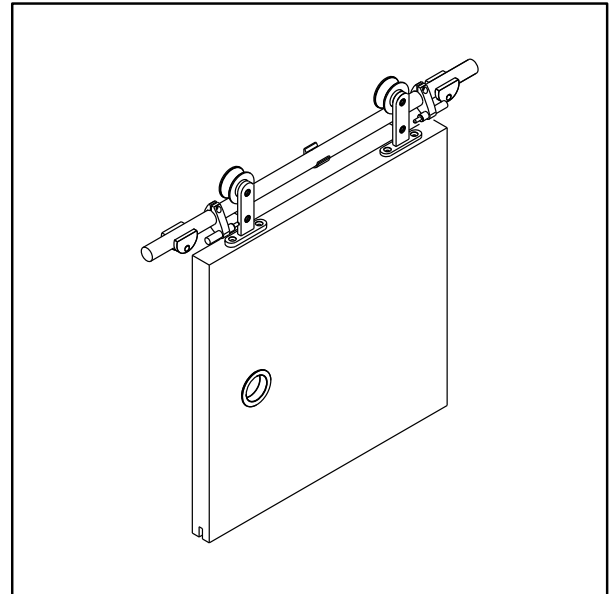
Polypropylene
Aluminium & Polypropylene
Aluminium
Standard lengths

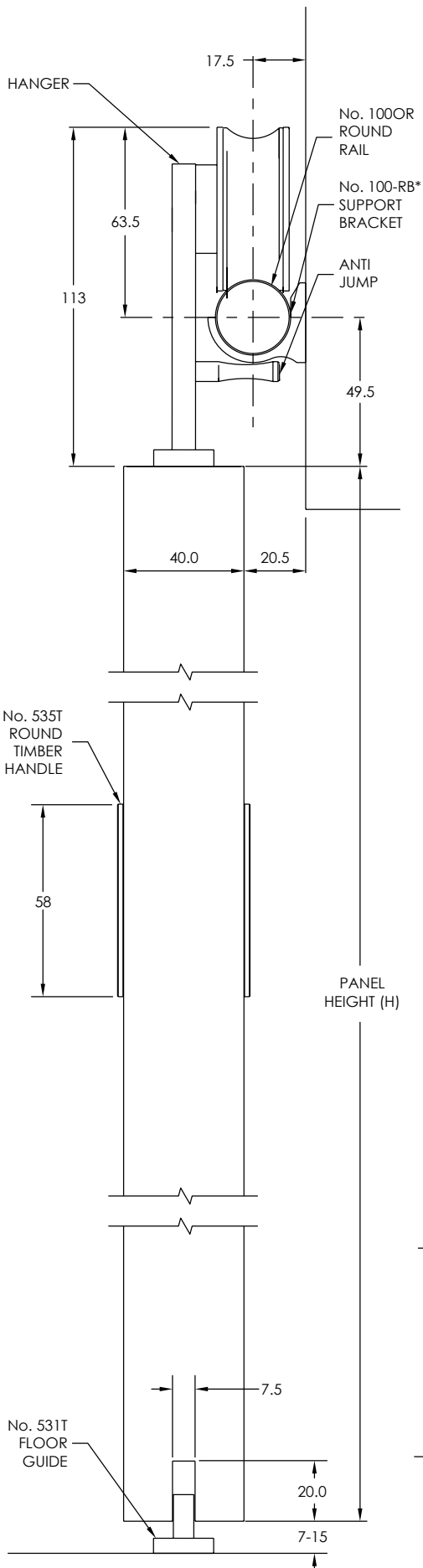
94P Black
94PPA Mill or clear anodised
814A Aluminium Rail Mill or clear anodised
2000mm, 3000mm, 4000mm and 6000mm

Support Bracket:

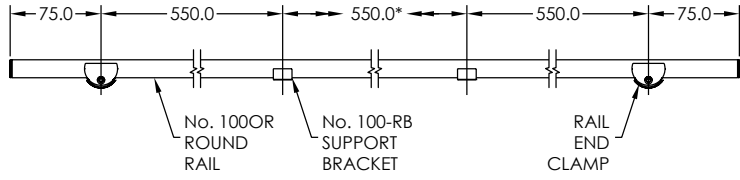
Support bracket

100-RB or 100-RBPR



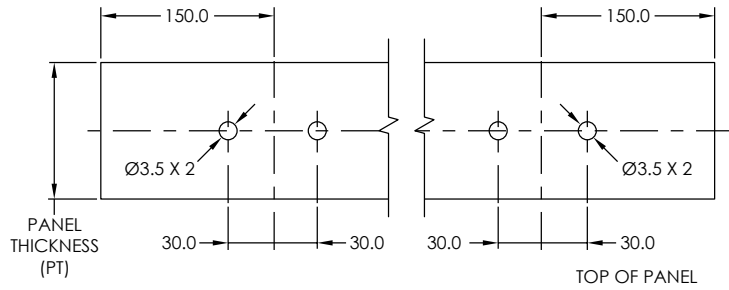


BRACKET PLACEMENT

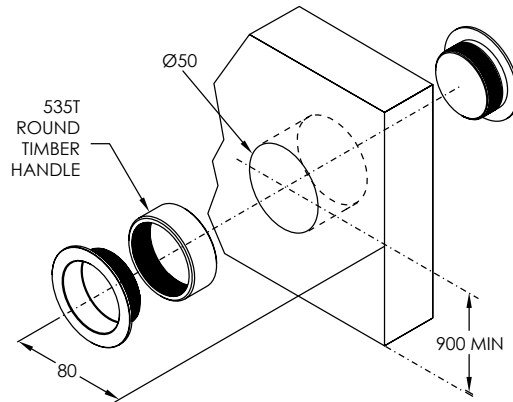


RAIL LENGTH	*ADDITIONAL No. 100-RB REQUIRED
2500mm	1
3000mm	2
4000mm	4

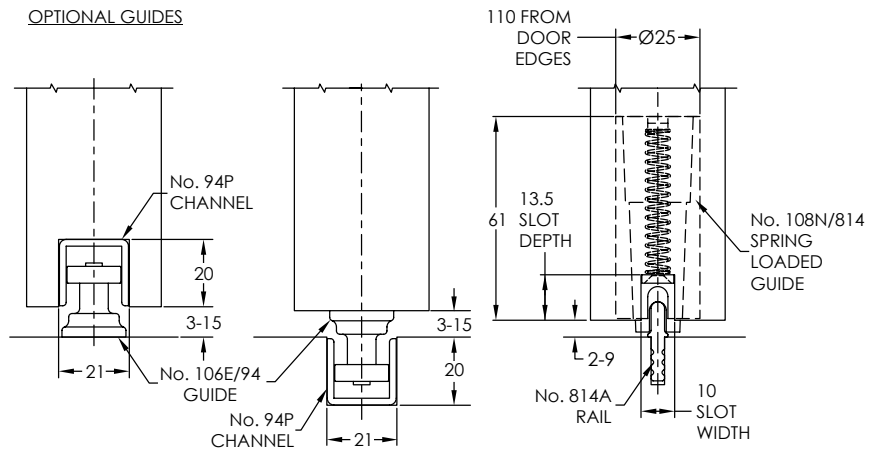
PANEL PREPARATION HANGERS



ROUND TIMBER HANDLE



OPTIONAL GUIDES



Applications

Brio's Open Round Rail Face Fix hanger makes an ideal internal system for residential and commercial applications of timber panels with exposed hangers and rail.

The face fix hangers are 304 stainless steel with precision bearings.

Panel Specification

Track System: For Individual Panels:	Open Round Rail Timber Face Fix 100
Max Panel Height	3000mm
Max Panel Width	2000mm
Max Panel Weight	100kg
Panel Thickness	35-40mm

Standard Packs

Packs include hangers, door stops, guide, handle, brackets and fixings

Pack No.	Finish
ORF100	Stainless Steel
ORF100PR	PVD Black

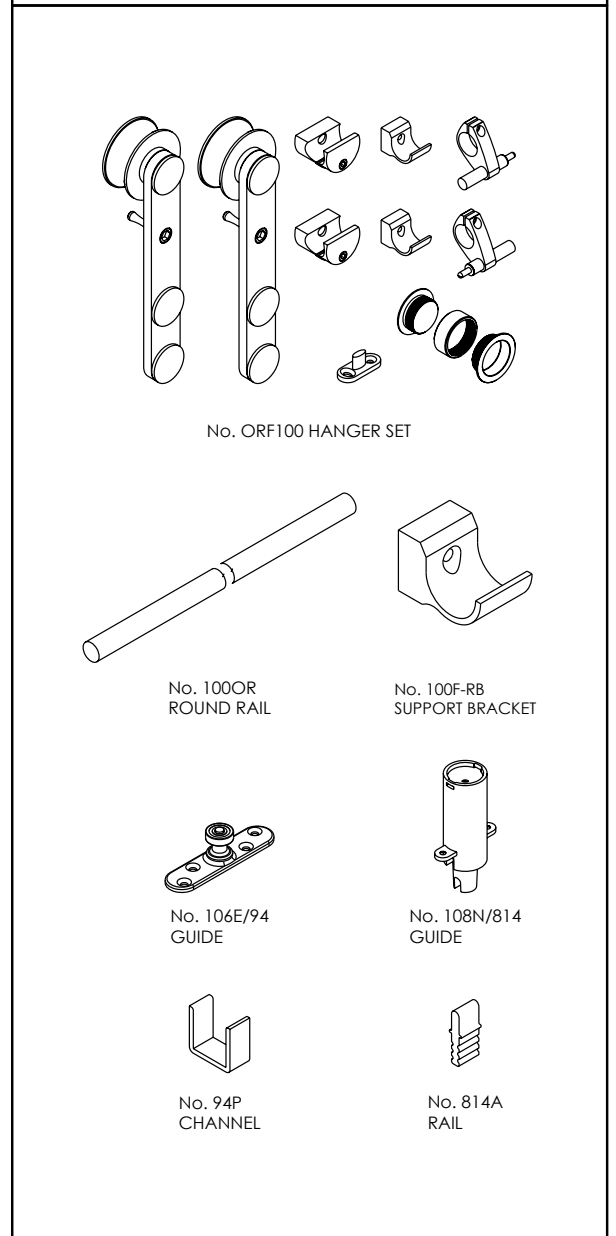
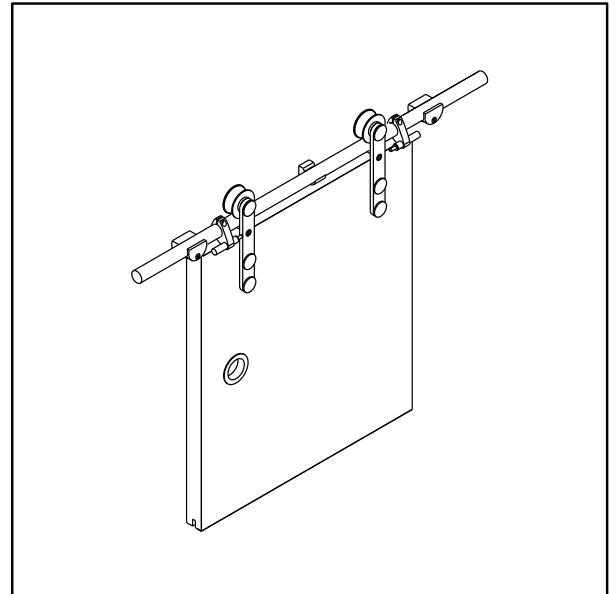
Hardware Specification

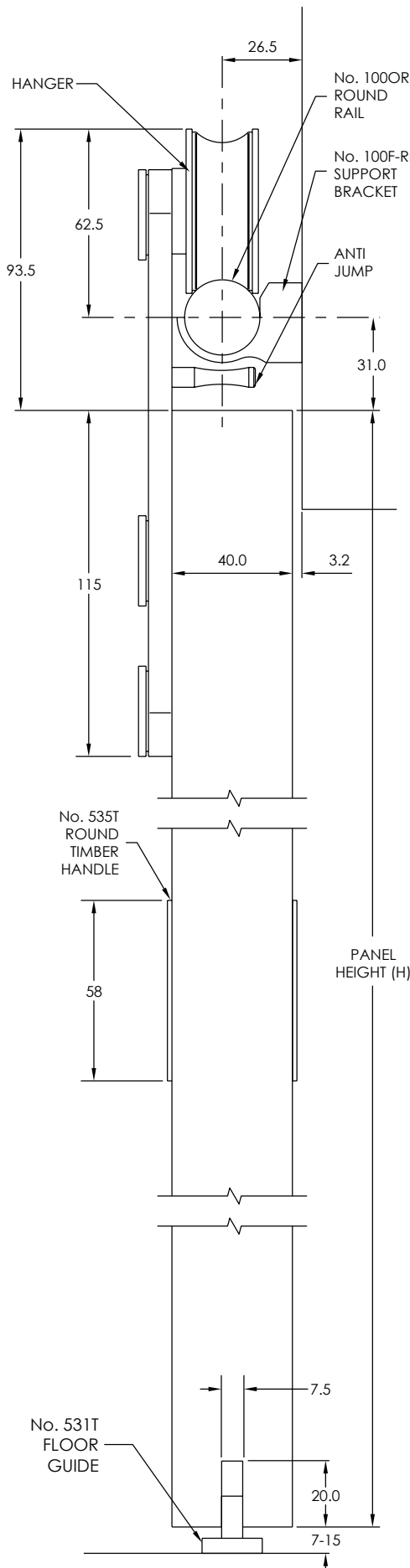
Track:	100OR
Material	Stainless Steel
Standard lengths	2000mm, 2500mm, 3000mm and 4000mm
Finishes	Stainless Steel and PVD Black (except 4000mm)

Guides:	
Stainless precision bearing	106E/94
Nylon spring loaded guide	108N/814

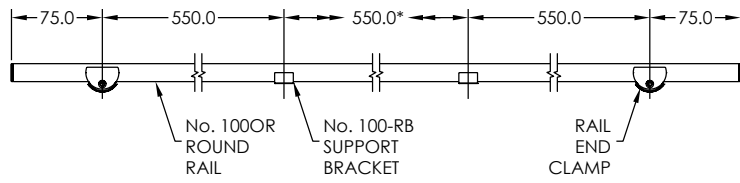
Channels:	
Polypropylene	94P Black
Aluminium & Polypropylene	94PPA Mill or clear anodised
Aluminium	814A Aluminium Rail Mill or clear anodised
Standard lengths	2000mm, 3000mm, 4000mm and 6000mm

Support Bracket:	
Support bracket	100F-RB or 100F-RBPR





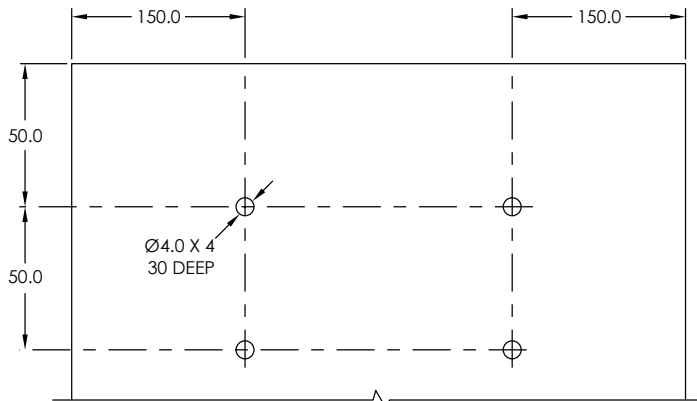
BRACKET PLACEMENT



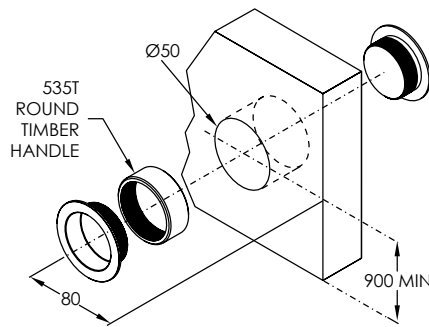
RAIL LENGTH	*ADDITIONAL No. 100F-RB REQUIRED
2500mm	1
3000mm	2
4000mm	4

PANEL PREPARATION

HANGERS (INSIDE FACE OF DOOR SHOWN)



ROUND TIMBER HANDLE



OPTIONAL GUIDES

