

Application

Widely used in lighter commercial and industrial applications.

To accommodate different building designs, panels can slide to one or both sides.

Hinged panel for easy access may be incorporated into a sliding system.

Where panels are fitted externally, a canopy is recommended.

Panel Specification

Track System:	Single Run 120
For Individual Panels:	
Max Panel Height	3000mm
Max Panel Weight	120kg
Min Panel Thickness	19mm

For ease of operation it is recommended that the panel width should not exceed 75% of panel height.

Timber panels for interior use can be of flush construction or glazed. Timber panels for industrial applications should be framed, ledged and braced. Metal panels should be constructed of box section, channel or angle framing, well braced and clad with flat or corrugated sheets.

Standard Sets and Packs

Sets comprise of top track, hangers, doors stops, nylon guides, timber screws and instructions.

Set No.	Max. Panel Width	Track Length	Material
SR120-20/1	950mm	2000mm	Chrome bearings, mill track
SR120SS-20/1	950mm	2000mm	SS bearings, anodised track
SR120-30/1	1450mm	3000mm	Chrome bearings, mill track
SR120SS-30/1	1450mm	3000mm	SS bearings, anodised track

Pack Set No.	Description
SR120-1PK	Fitting pack only, no track
SR120SS-1PK	Fitting pack only, no track, SS bearings

Hardware Specification

Track:	120 or 120R
Material	Aluminium
Finish	Mill or clear anodised
Standard lengths	2000mm, 3000mm, 4000mm and 6000mm

Brackets:	
Face fitted stainless steel angle	91
Double face fitted bracket SS	5SS/120
Fit at 400mm maximum centres	

Hangers (2 per panel):		Stainless Option
MDF panels - face fitting	50EN	
Timber panels - plate (surface)	57EN	57SS/EN
Timber panels - angle frame	56EN	56SS/EN
Timber panels - plate (flush)	58EN	58SS/EN

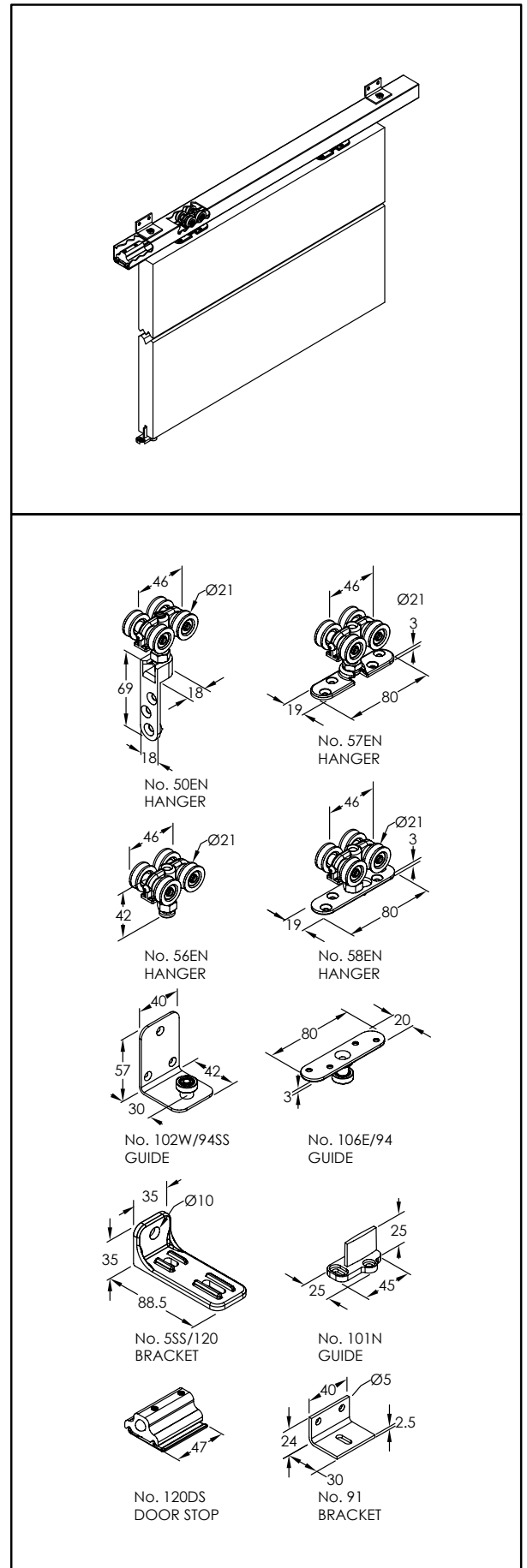
Hangers supplied with fixing plate and nylon tyred precision bearings. Vertical adjustment is simple and positive. Nylon tyre wheel hangers should not be used on installations involving temperatures exceeding 80°C.

Guides:	
Timber panels - SS plate (94 channels)	106E/94
Timber panels - SS plate (96W channel)	106SSMF
Timber panels - nylon guide	101N
Multiple panels	102W/94SS

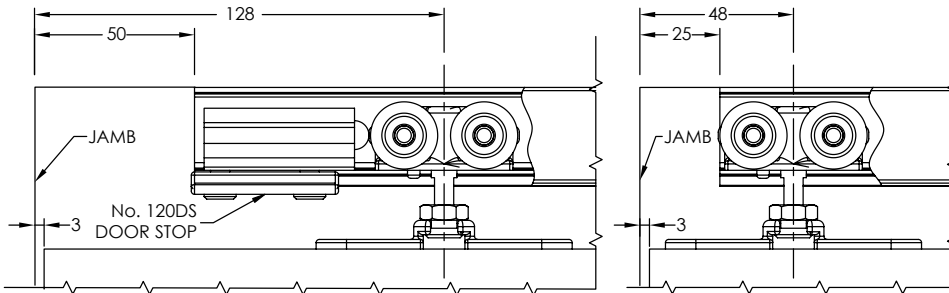
Channels:	
Aluminium & Polypropylene	94PPA Mill or clear anodised
Aluminium	94A Mill or clear anodised
	96W Clear anodised
Brass	94B
Standard lengths	2000mm, 3000mm, 4000mm and 6000mm

Accessories:	
Door Stop	120DS
Flush Pulls	401
Flush Bolts	456

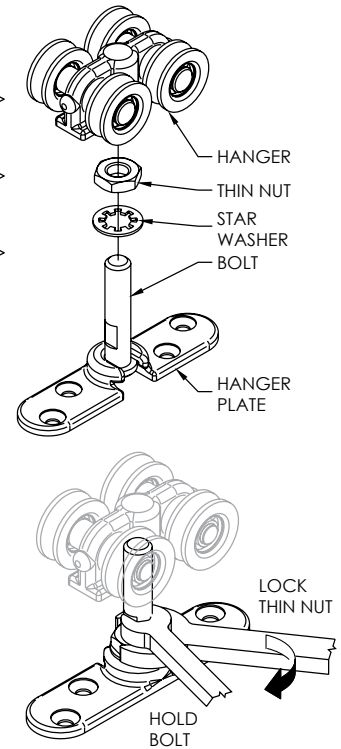
Flush bolts and flush pulls are available in (PVDB) PVD Brass, (SN) Satin Nickel & (PN) Polished Nickel



TRACK FIXING CENTRES
20mm FROM EACH END, 400mm MAXIMUM



HANGER ASSEMBLY



PANEL PREPARATION

No. 57EN HANGER

No. 50EN HANGER

No. 58EN HANGER

