

Application

Widely used in lighter commercial and industrial applications.

To cover any width of opening, any number of panels can be used.

To accommodate different building designs, panels can slide to one or both sides.

Hinged panel for easy access may be incorporated into a sliding system.

Where panels are fitted externally, a canopy is recommended.

Panel Specification

Track System: **Single Run 180**

| | |
|------------------------|--------|
| For Individual Panels: | |
| Max Panel Height | 3000mm |
| Max Panel Weight | 180kg |
| Min Panel Thickness | 35mm |

For ease of operation it is recommended that the panel width should not exceed 75% of panel height.

Timber panels for interior use can be of flush construction or glazed. Timber panels for industrial applications should be framed, ledged and braced. Metal panels should be constructed of box section, channel or angle framing, well braced and clad with flat or corrugated sheets.

Hardware Specification

| | |
|------------------|-----------------------------------|
| Track: | 180 |
| Material | Aluminium |
| Finish | Mill or clear anodised |
| Standard lengths | 2000mm, 3000mm, 4000mm and 6000mm |

| | |
|-----------------------------------|---------|
| Brackets: | |
| Face fitted stainless steel angle | 1SS/250 |
| Double face fitted bracket SS | 5SS/250 |
| Fit at 400mm maximum centres | |

| | | |
|-------------------------------|-------|------------------|
| Hangers (2 per panel): | | Stainless Option |
| Timber panels - angle fitting | 52GN | 52SS/GN |
| Timber panels - plate fitting | 57GN | 57SS/GN |
| Metal panels - angle frame | 56GN | 56SS/GN |
| Metal panels - box frame | 56GLN | 56SS/GLN |
| Metal panels - plate fitting | 57GN | 57SS/GN |

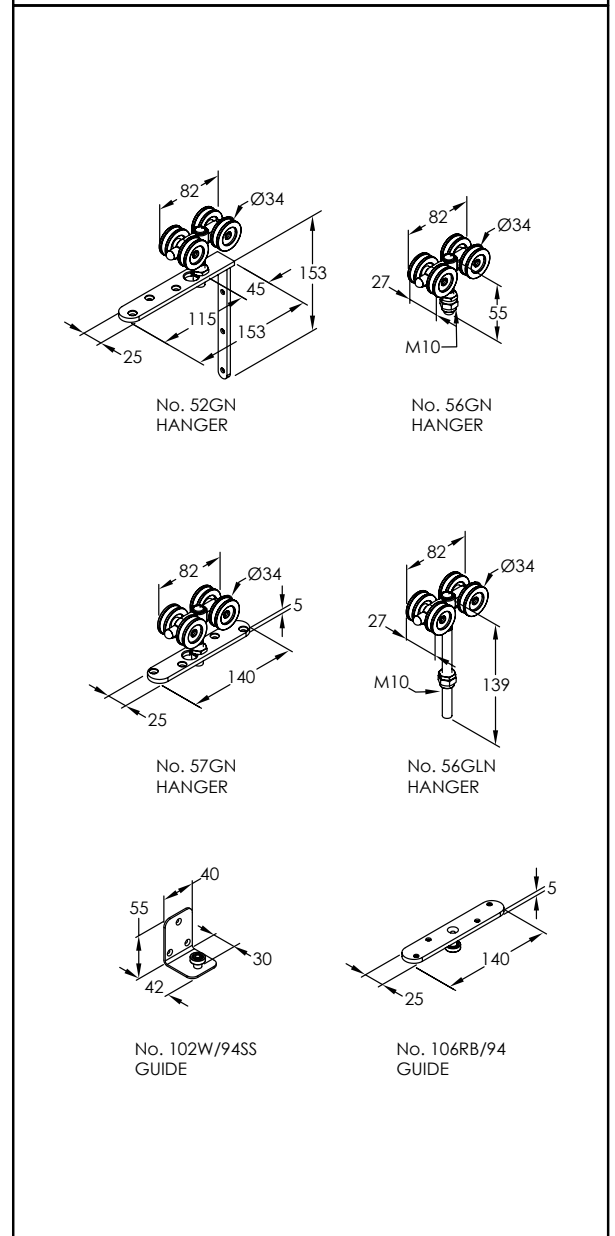
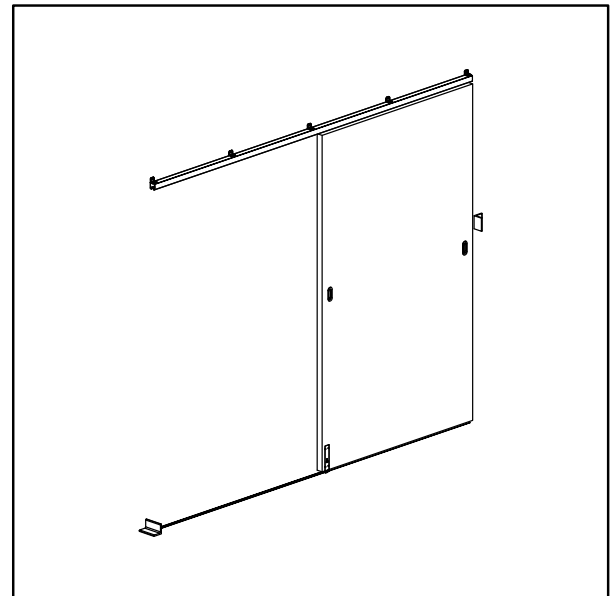
Hanger supplied with timber screws, fixing plate and nylon tyred precision bearings. Vertical adjustment is simple and positive. Nylon tyre wheel hangers should not be used on installations involving temperatures exceeding 80°C.

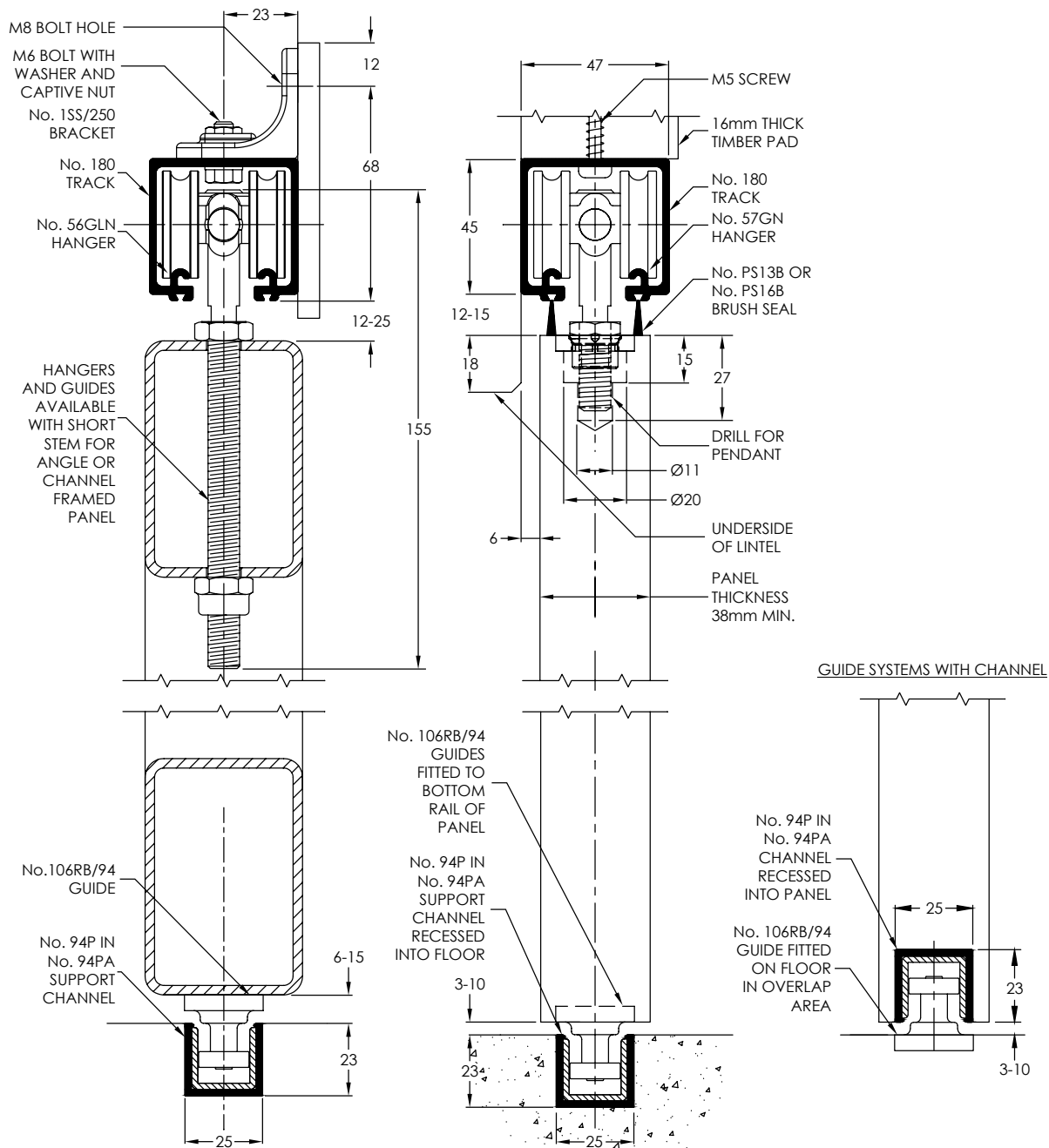
| | |
|----------------------------------|-----------|
| Guides: | |
| Timber panels - SS plate fitting | 106RB/94 |
| Multiple panels | 102W/94SS |

| | |
|---------------------------|-----------------------------------|
| Channels: | |
| Aluminium | 94A Mill or clear anodised |
| Aluminium & Polypropylene | 94PPA Mill or clear anodised |
| Brass | 94B |
| Standard lengths | 2000mm, 3000mm, 4000mm and 6000mm |

| | |
|---------------------|-------|
| Accessories: | |
| Door Stop | 180DS |
| Flush Pulls | 401 |
| Flush Bolts | 456 |

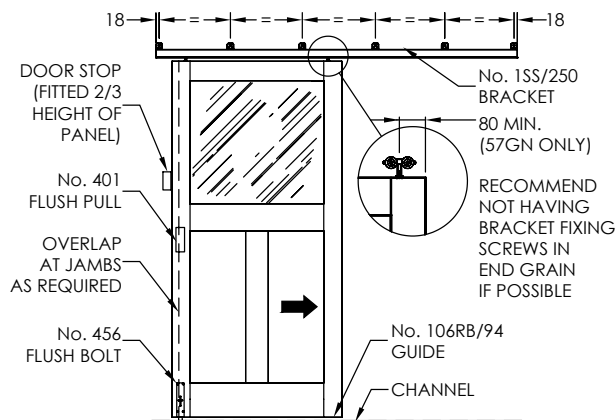
Flush bolts and flush pulls are available in (PVDB) PVD Brass, (SN) Satin Nickel & (PN) Polished Nickel





HARDWARE PLACEMENT
FRONT VIEW (PANEL SLIDING INSIDE)

BRACKET PLACEMENT
18mm TO CENTRE OF FIRST BRACKET FROM EACH END, THEN A BRACKET APPROXIMATELY EVERY 400mm CENTRES.



| STANDARD TRACK LENGTH | 2000 | 3000 | 4000 | 6000 |
|-----------------------|------|------|------|------|
| No. OF BRACKETS | 6 | 9 | 11 | 16 |

