

Application

Designed to achieve minimal clearances of just 3.5mm between the top edge of the panel and underside of the track concealing all moving parts.

Ideally suited for floor to ceiling straight sliding timber panels in both residential and commercial applications.

Zero Clearance 120 hangers are cast 316 stainless steel with precision bearings suitable for both interior and exterior applications.

Panel Specification

Track System:	Zero Clearance 120
For Individual Panels:	
Max Panel Height	3000mm
Max Panel Weight	120kg
Min Panel Thickness	32mm

For ease of operation it is recommended that the panel width should not exceed 75% of panel height.

Timber panels for interior use can be flush construction or glazed.

Standard Sets and Packs

Sets comprise of top track, hangers, clip stops, nylon guides and timber screws.

Set No.	Max. Panel Width	Track Length	Material
ZC120-20/1	950mm	2000mm	Chrome bearings, mill track
ZC120SS-20/1	950mm	2000mm	SS bearings, anodised track
ZC120-30/1	1450mm	3000mm	Chrome bearings, mill track
ZC120SS-30/1	1450mm	3000mm	SS bearings, anodised track

Pack No.	
ZC120-1PK	Fitting pack only, no track, chrome bearings
ZC120SS-1PK	Fitting pack only, no track, SS bearings

Hardware Specification

Track:	120 or 120R
Material	Aluminium Clear Anodised
Standard lengths	2000mm, 3000mm, 4000mm and 6000mm

Hangers:	Stainless Option
Timber panels	61/EN 61SS/EN

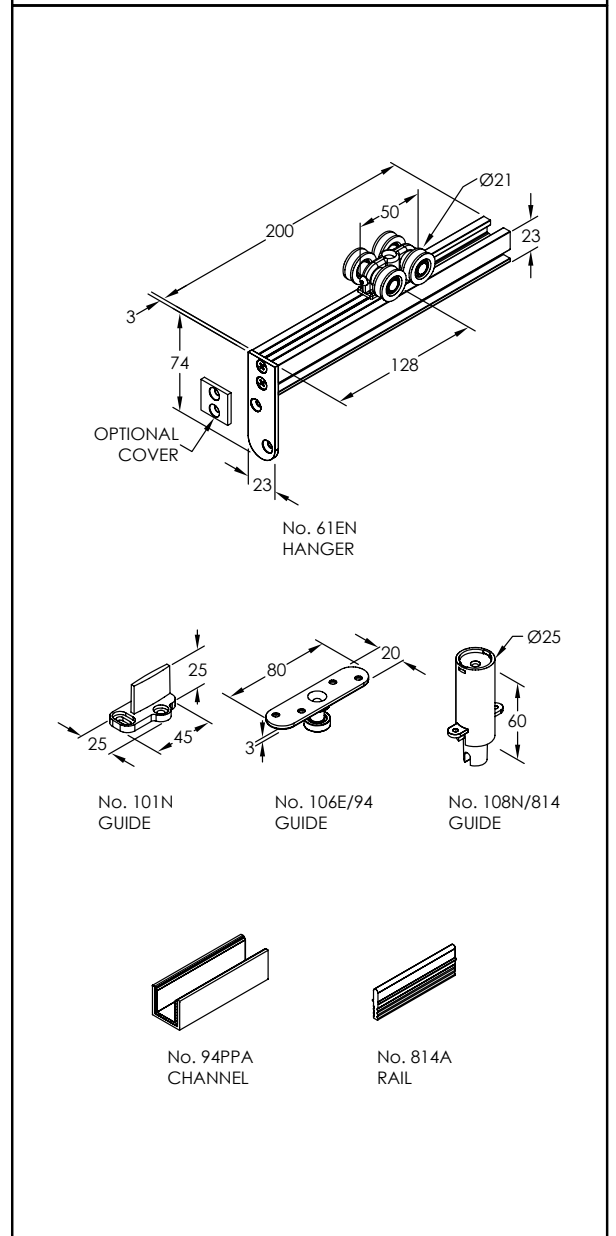
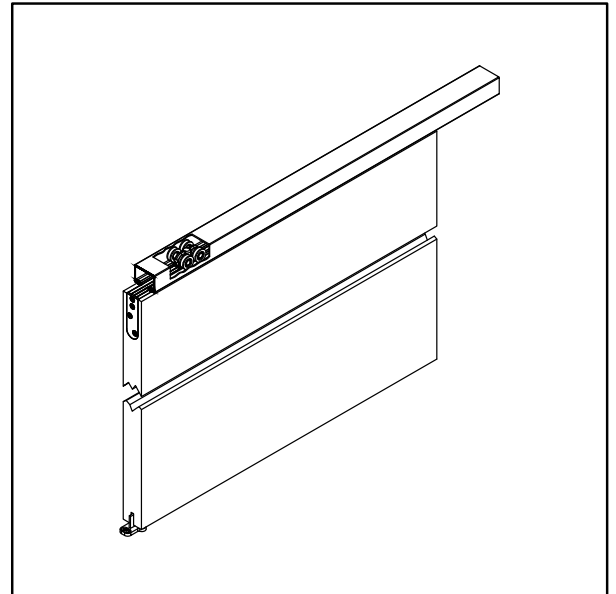
Hangers supplied with fixing plate and nylon tyred precision bearings. Vertical adjustment is simple and positive. Nylon tyre wheel hangers should not be used on installations involving temperatures exceeding 80°C.

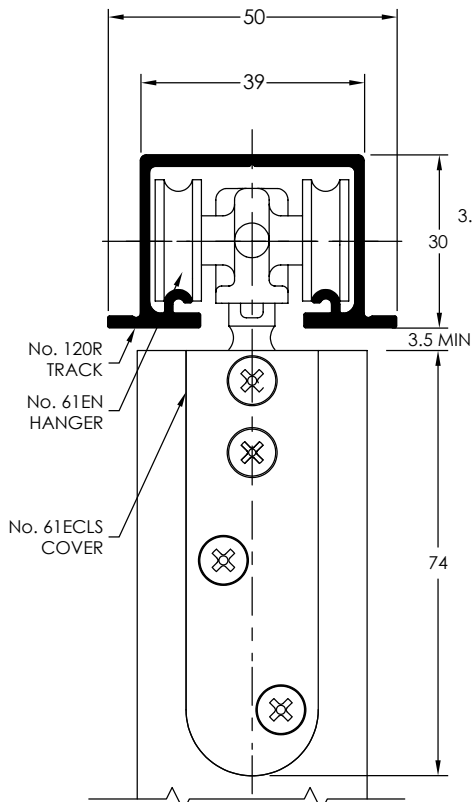
Guides:	
Timber panels - SS plate (94 channels)	106E/94
Timber panels - SS plate (96W channel)	106SSMF
Timber panels - nylon guide	101N
Multiple panels	102W/94SS
Nylon, spring loaded	108N/814
Stainless and nylon, spring loaded	801S

Channels:	
Aluminium & Polypropylene	94PPA Mill or clear anodised
Aluminium	814A Rail anodised
	94A Mill or clear anodised
	96W Clear anodised
Standard lengths	2000mm, 3000mm, 4000mm and 6000mm
Aluminium	81 Channel anodised
Standard lengths	1200mm, 1500mm, 1800mm, 2400mm and 3600mm

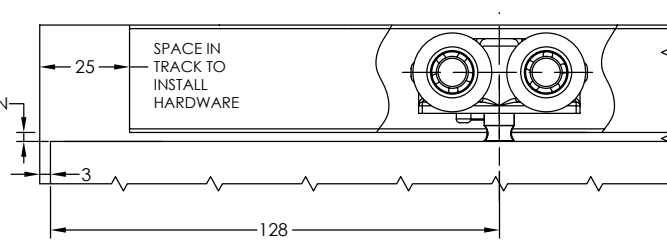
Accessories:	
Door Stop	120DS
Flush Pulls	401
Flush Bolts	456

Flush bolts and flush pulls are available in (PVDB) PVD Brass, (SN) Satin Nickel & (PN) Polished Nickel



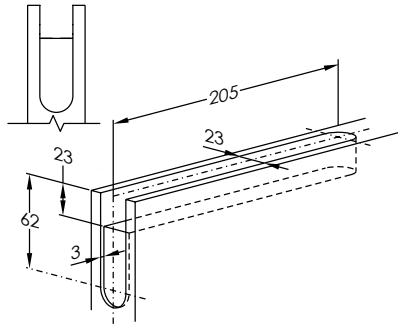


TRACK FIXING CENTRES
35mm FROM EACH END, THEN FIX AT 400mm INTERVALS

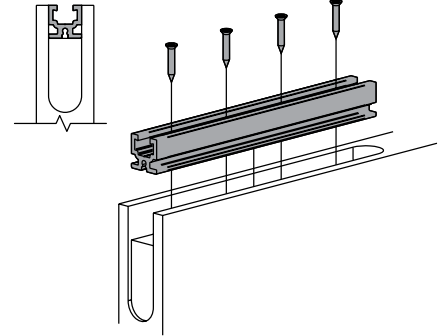


PANEL PREPARATION AND INSTALLATION

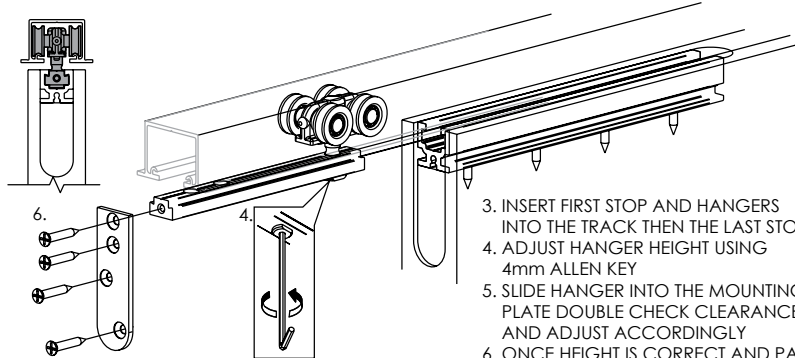
1. PREPARE PANEL FOR MOUNTING PLATE.



2. FIT MOUNTING PLATE WITH SCREWS SUPPLIED

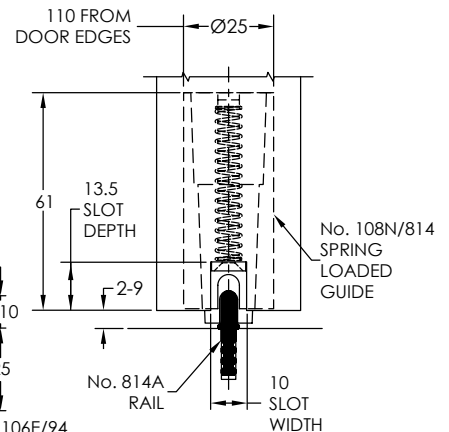
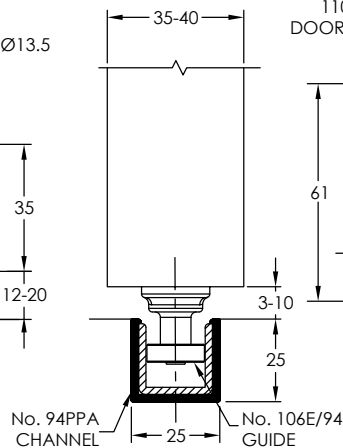
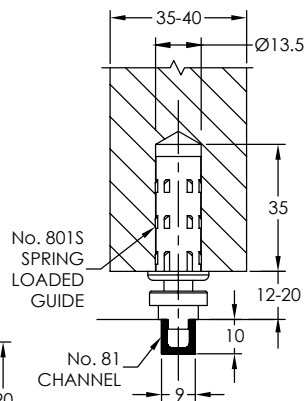


ASSEMBLY



3. INSERT FIRST STOP AND HANGERS INTO THE TRACK THEN THE LAST STOP
4. ADJUST HANGER HEIGHT USING 4mm ALLEN KEY
5. SLIDE HANGER INTO THE MOUNTING PLATE DOUBLE CHECK CLEARANCE AND ADJUST ACCORDINGLY
6. ONCE HEIGHT IS CORRECT AND PANEL IS LEVEL, FIX COVER ONTO THE PANEL

OPTIONAL GUIDES



OPTIONAL
No. 61ECS
SHORT
COVER
50KG MAX
PANEL
WEIGHT

No. 101N
GUIDE