

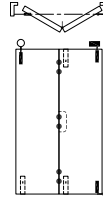
This Guide to Quantities is only applicable to Data Sheets D200.

Specification for Individual Panels

| | |
|---------------------|----------------------|
| Track System | Interfold 50F |
| Max Panel Height | 2600mm |
| Max Panel Weight | 50kg |
| Max Panel Width | 820mm |
| Min Panel Thickness | 35mm |
| Max Number of Panel | 4 each direction |

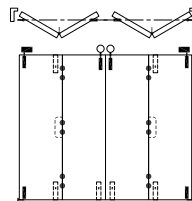
2 Panel Unit

| | Quantities | Product Codes |
|-------------------|------------|---------------|
| Track | 1 | 180-A20 |
| Pivot Set | 1 | BWS1F-75H |
| Hinge Handle Set | 1 | BW3-100H |
| End Hanger Set | 1 | BWS2F-50CH |
| Flush Bolt Top | 1 | 456 |
| Flush Bolt Bottom | 2 | 456E |



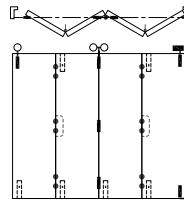
2+2 Panel Unit

| | Quantities | Product Codes |
|-------------------|------------|---------------|
| Track | 1 | 180-A40 |
| Pivot Set | 2 | BWS1F-75H |
| Hinge Handle Set | 2 | BW3-100H |
| End Hanger Set | 1 | BWS2F-50CM |
| End Hanger Set | 1 | BWS2F-50CM |
| Flush Bolt Top | 2 | 456 |
| Flush Bolt Bottom | 4 | 456E |



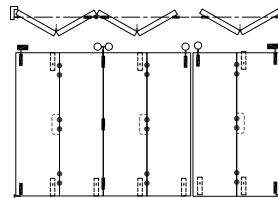
4 Panel Unit

| | Quantities | Product Codes |
|-------------------------|------------|---------------|
| Track | 1 | 180-A40 |
| Pivot Set | 1 | BWS1F-75H |
| Offset Hinge Handle Set | 2 | BW7-100H |
| Intermediate Hanger Set | 1 | BWS4F-50CH |
| End Hanger Set | 1 | BWS2F-50CH |
| Flush Bolt Top | 2 | 456 |
| Flush Bolt Bottom | 4 | 456E |



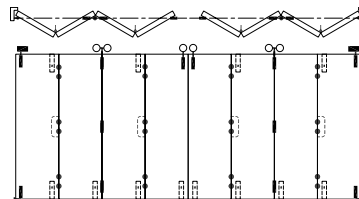
4+2 Panel Unit

| | Quantities | Product Codes |
|-------------------------|------------|---------------|
| Track | 1 | 180-A60 |
| Pivot Set | 2 | BWS1F-75H |
| Offset Hinge Handle Set | 2 | BW7-100H |
| Hinge Hanger Set | 1 | BW3-100H |
| Intermediate Hanger Set | 1 | BWS4F-50CH |
| End Hanger Set | 1 | BWS2F-50CM |
| End Hanger Set | 1 | BWS2F-50CM |
| Flush Bolt Top | 3 | 456 |
| Flush Bolt Bottom | 6 | 456E |



4+4 Panel Unit

| | Quantities | Product Codes |
|-------------------------|------------|---------------|
| Track | 2 | 180-A40 |
| Pivot Set | 2 | BWS1F-75H |
| Offset Hinge Handle Set | 4 | BW7-100H |
| Intermediate Hanger Set | 1 | BWS4F-50CH |
| Intermediate Hanger Set | 1 | BWS4F-50CH |
| End Hanger Set | 1 | BWS2F-50CM |
| End Hanger Set | 1 | BWS2F-50CM |
| Flush Bolt Top | 4 | 456 |
| Flush Bolt Bottom | 8 | 456E |





Application

For residential and commercial interior folding panels that close against rebate.

Interfold 50F hardware is suitable for timber systems without bottom guide, with all panels of equal width.

Specifically designed for applications where sound and light proofing is required.

Interfold 50F hangers are cast 316 marine grade stainless steel with precision chrome bearings and nylon outer wheels.

Panel Specification

| Track System: | Interfold 50F |
|---------------------|---------------|
| Max Panel Height | 2600mm |
| Max Panel Weight | 50kg |
| Max Panel Width | 820mm |
| Min Panel Thickness | 35mm |

Units of up to four panels can be pivoted to each side of the opening.

Panels should be constructed to provide secure fitting for the pivot, hanger and hinge sets. Sets include timber screws.

Hardware Specification

| | |
|------------------|-----------------------------------|
| Track: | 180 |
| Material | Aluminium |
| Finish | Mill or Clear Anodised |
| Standard Lengths | 2000mm, 3000mm, 4000mm and 6000mm |

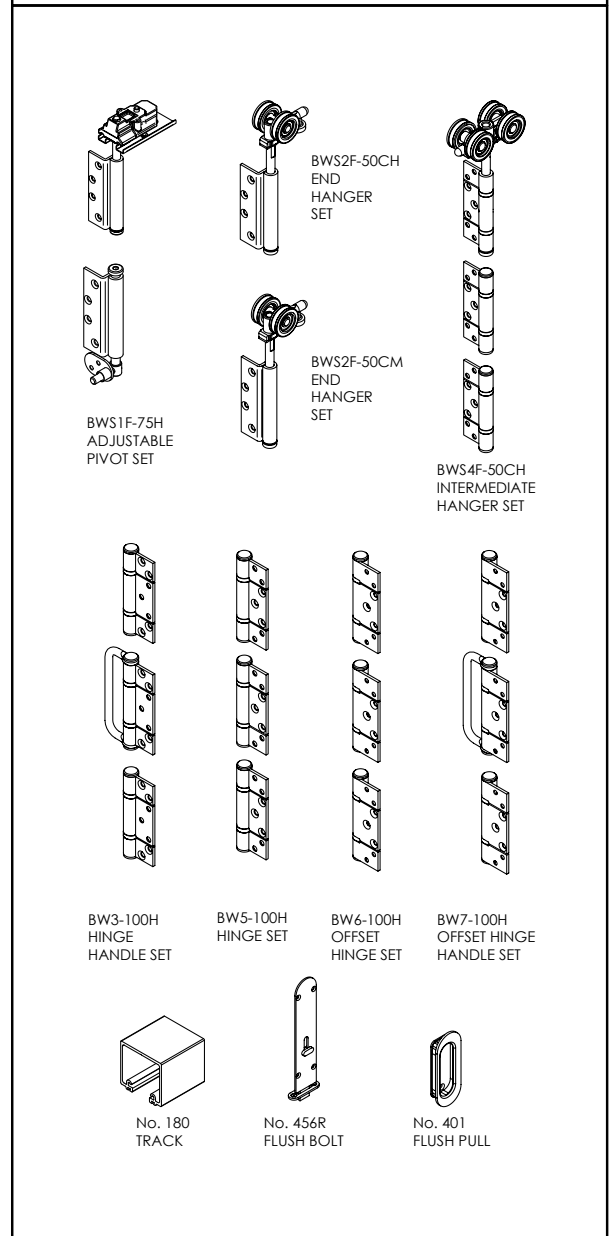
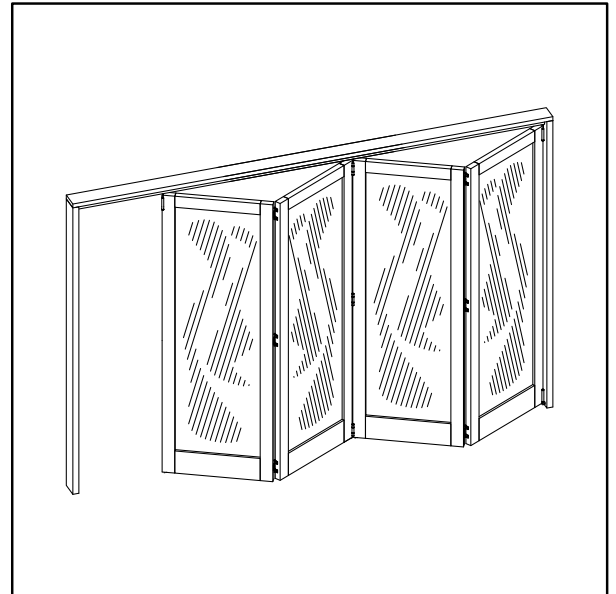
| | |
|--------------------------|---|
| Hanger Sets: | |
| End Hanger - Non Mortice | Includes Hanger BWS2F-50CH |
| End Hanger - Mortice | Includes Hanger BWS2F-50CM |
| Intermediate Hanger Set | Includes Hanger and Hinge BWS4F-50CH |

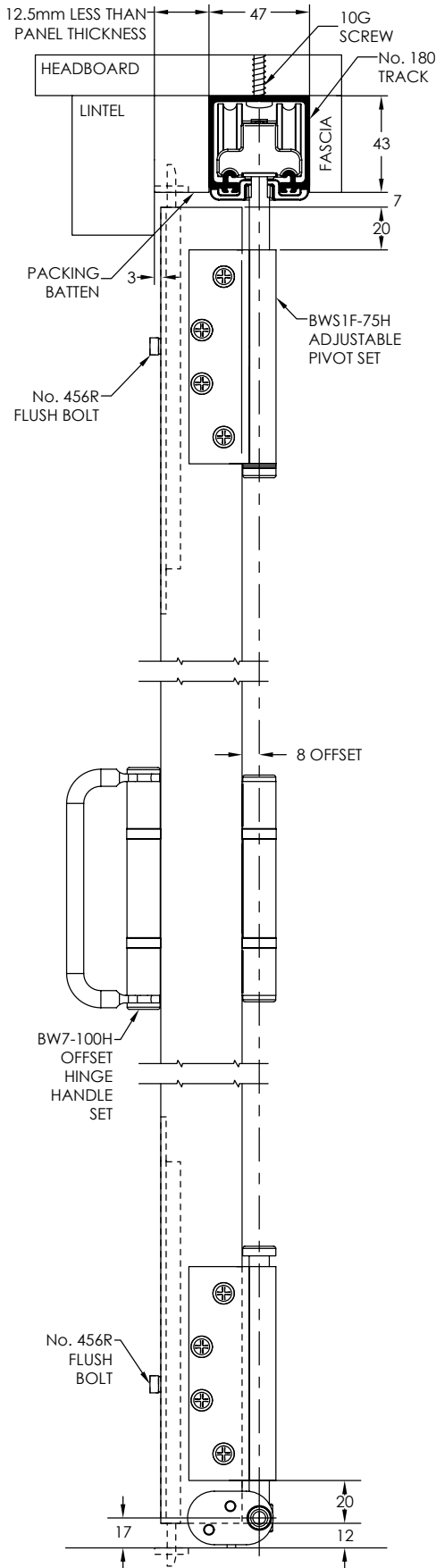
| | |
|---------------------|-----------|
| Pivot Set: | |
| Top and Jamb Pivots | BWS1F-75H |

| | |
|-------------------------|----------|
| Hinge Sets: | |
| Hinge Handle Set | BW3-100H |
| Offset Hinge Handle Set | BW7-100H |
| Hinge Set | BW5-100H |
| Offset Hinge Set | BW6-100H |

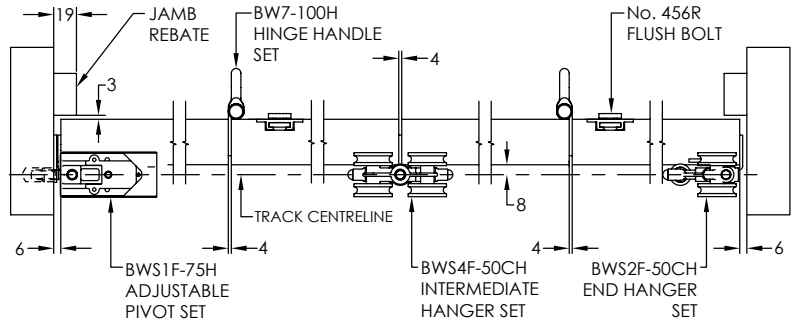
| | |
|---------------------|-------|
| Accessories: | |
| Flush Bolt Standard | 456 |
| Flush Bolt Lockable | 456E |
| Flush Bolt Long | 456L |
| Masonry Keeper | 360RK |

Finish options
Hardware: (SS) Satin Stainless, (PS) Polished Stainless
Flush Bolts: (SN) Satin Nickel, (PN) Polished Nickel

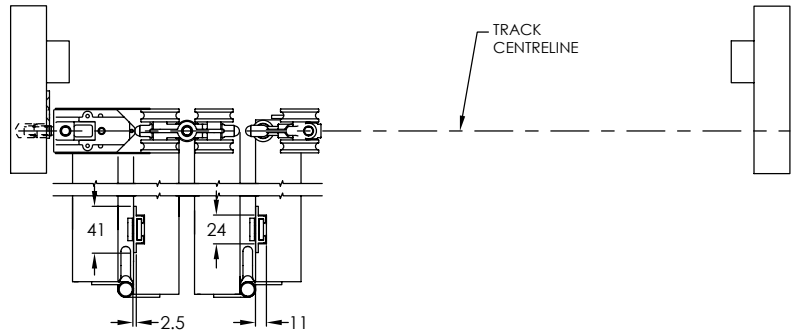




4+0 PANEL OUTWARD OPENING SYSTEM - CLOSED
(SHOWN WITHOUT TRACK, CHANNEL OR HEAD SECTION)



4+0 PANEL OUTWARD OPENING SYSTEM - OPEN
(SHOWN WITHOUT TRACK, SILL OR HEAD SECTION)



4+0 PANEL OUTWARD OPENING SYSTEM - CLOSED
(TYPICAL OUTSIDE ELEVATION)

