

Applications

Brio's Open Square Rail Timber is an ideal internal system for residential and commercial applications of timber panels with exposed hangers and rail.

Open Square Rail Timber 150 hangers are 304 stainless steel with precision bearings

Panel Specification

Track System:

For Individual Panels:

Max Panel Height
Max Panel Width
Max Panel Weight
Panel Thickness

Open Square Rail Timber 150

3000mm
2000mm
150kg
35-44mm

Standard Packs

Packs include hangers, door stops, guide, handle, brackets and fixings

Pack No.

OST150
OST150 PR

Finishes

Stainless Steel
PVD Black

Hardware Specification

Track:

Material
Standard lengths
Finishes

150SR
Stainless Steel
2000mm, 2500mm, 3000mm and 4000mm
Stainless Steel and PVD Black (except 4000mm)

Alternative Guides:

Stainless precision bearing
Nylon spring loaded guide

106E/94
108N/814

Channels:

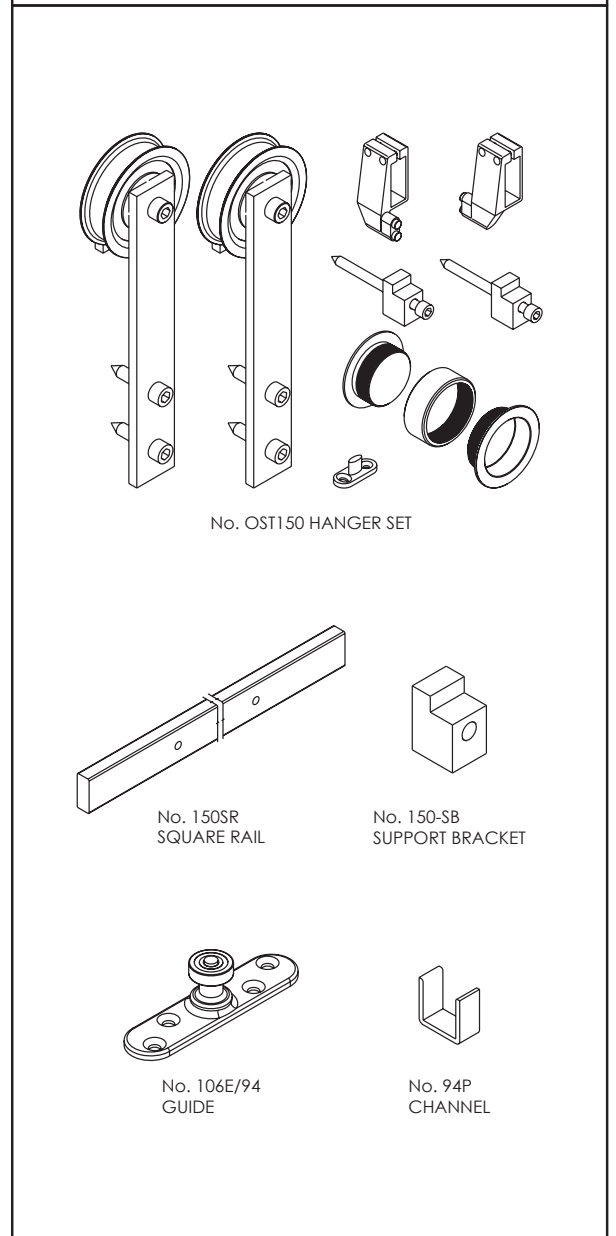
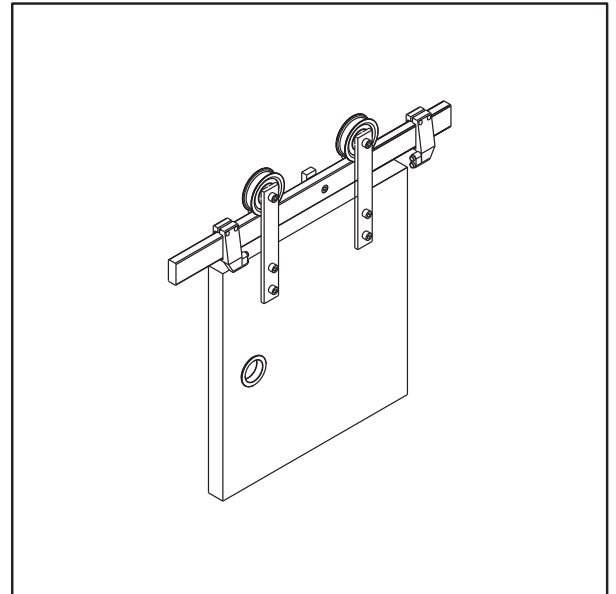
Polypropylene
Aluminium & Polypropylene
Aluminium
Standard lengths

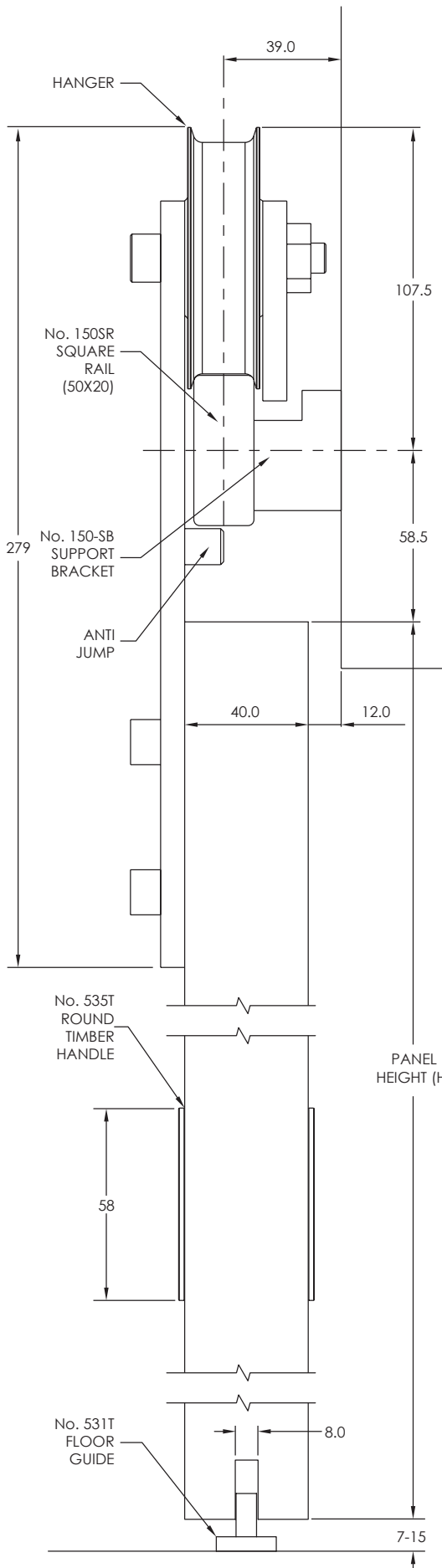
94P Black
94PPA Mill or clear anodised
814A Aluminium Rail Mill or clear anodised
2000mm, 3000mm, 4000mm and 6000mm

Support Bracket:

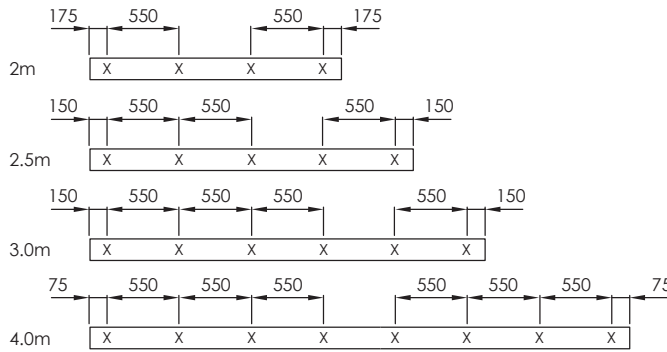
Support bracket

150-SB or 150-SBPR

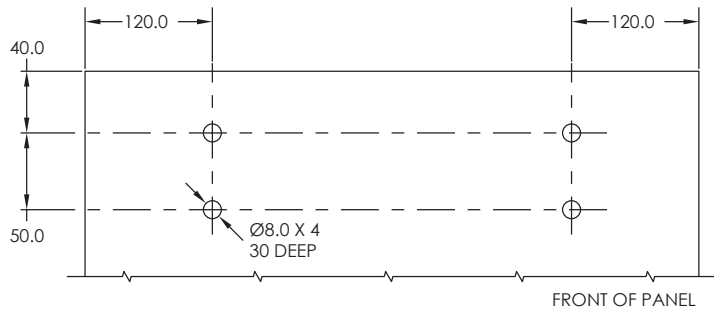




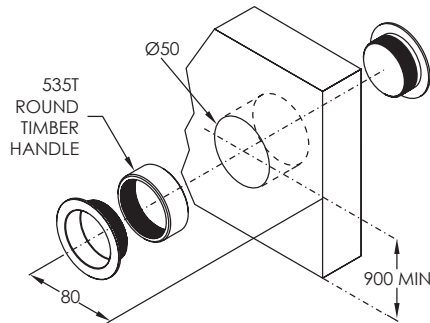
BRACKET PLACEMENT



PANEL PREPARATION

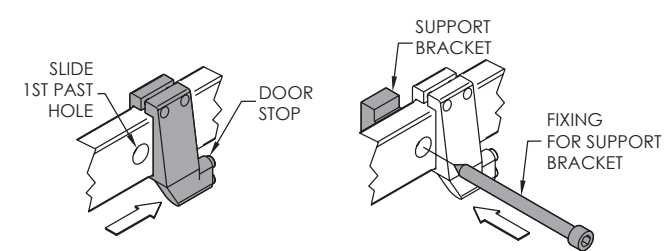


ROUND TIMBER HANDLE



DOOR STOP

SLIDE ON DOOR STOP BEFORE FITTING SUPPORT BRACKET



OPTIONAL GUIDES

