

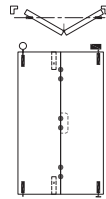
This Guide to Quantities is only applicable to Data Sheet E155.

Specification for Individual Panels

Track System	Weatherfold 4s 150
Refer to Data Sheet	E155
Max Panel Height	4000mm
Max Panel Weight	150kg
Max Panel Width	1200mm
Min Panel Thickness	44-68mm
Max Number of Panels	8 each direction

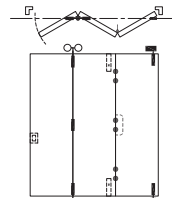
2 Panel Unit

	Quantities	Product Codes
Track	1	700-A40
Pivot Set	1	BWS1-150H
Hinge Handle Set	1	BW3-150H
End Hanger Set	1	BWS2-150SH
Flush Bolt Top	1	456
Flush Bolt Bottom	1	456E
Channel	1	98PPA-A40



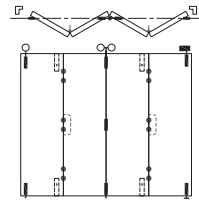
3 Panel Unit

	Quantities	Product Codes
Track	1	700-A40
Pivot Set	1	BWS1-150H
Offset Hinge Handle Set	1	BW7-150H
Intermediate Hanger Set	1	BWS4-150SH
Flush Bolt Top	1	456
Flush Bolt Bottom	1	456E
Channel	1	98PPA-A40



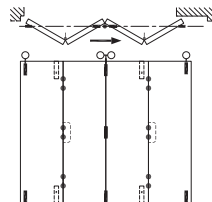
4 Panel Unit

	Quantities	Product Codes
Track	1	700-A40
Pivot Set	1	BWS1-150H
Offset Hinge Handle Set	2	BW7-150H
Intermediate Hanger Set	1	BWS4-150SH
End Hanger Set	1	BWS2-150SH
Flush Bolt Top	2	456
Flush Bolt Bottom	2	456E
Channel	1	98PPA-A40



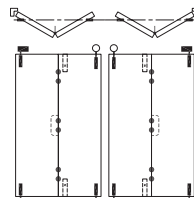
4 Panel Unit 'Floating'

	Quantities	Product Codes
Track	1	700-A40
Offset Hinge Handle Set	2	BW7-150H
Intermediate Hanger Set	1	BWS4-150SH
End Hanger Set	2	BWS2-150SH
Flush Bolt Top	2	456
Flush Bolt Bottom	2	456E
Channel	1	98PPA-A40



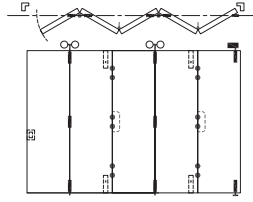
2+2 Panel Unit

	Quantities	Product Codes
Track	1	700-A40
Pivot Set	2	BWS1-150H
Hinge Handle Set	2	BW3-150H
End Hanger Set	2	BWS2-150SH
Flush Bolt Top	2	456
Flush Bolt Bottom	2	456E
Channel	1	98PPA-A40



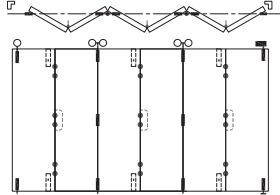
5 Panel Unit

	Quantities	Product Codes
Track	1	700-A60
Pivot Set	1	BWS1-150H
Offset Hinge Handle Set	1	BW7-150H
Intermediate Hanger Set	2	BWS4-150SH
Hinge Handle Set	1	BW3-150H
Flush Bolt Top	2	456
Flush Bolt Bottom	2	456E
Channel	1	98PPA-A60



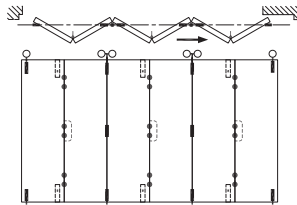
6 Panel Unit

	Quantities	Product Codes
Track	1	700-A60
Pivot Set	1	BWS1-150H
Offset Hinge Handle Set	2	BW7-150H
Intermediate Hanger Set	2	BWS4-150SH
Hinge Handle Set	1	BW3-150H
End Hanger Set	1	BWS2-150SH
Flush Bolt Top	3	456
Flush Bolt Bottom	3	456E
Channel	1	98PPA-A60



6 Panel Unit 'Floating'

	Quantities	Product Codes
Track	1	700-A60
Offset Hinge Handle Set	2	BW7-150H
Intermediate Hanger Set	2	BWS4-150SH
Hinge Handle Set	1	BW3-150H
End Hanger Set	2	BWS2-150SH
Flush Bolt Top	3	456
Flush Bolt Bottom	3	456E
Channel	1	98PPA-A60



Application

For heavy duty residential and commercial folding doors.

This section covers Weatherfold 4s 150 that accommodates thicker double glazed timber or aluminium panels weighing up to 150kg each.

The high-strength hinges are manufactured from 4mm thick stainless steel and are available in a Satin Stainless finish.

Weatherfold 4s 150 system comes standard within precision stainless steel bearings for maximum corrosion resistance.

Panel Specification

Track System:	Weatherfold 4s 150
Max Panel Height	4000mm
Max Panel Weight	150kg
Max Panel Width	1200mm
Panel Thickness	44-68mm
Max Number of Panels	8 each direction

Hardware Specification

Track:	700
Material	Aluminium Clear Anodised
Standard Lengths	4000mm and 6000mm

Hanger Sets:	
Intermediate Hanger Set:	BWS4-150SH
End Hanger Set:	BWS2-150SH

Pivot Sets:	BWS1-150H
--------------------	-----------

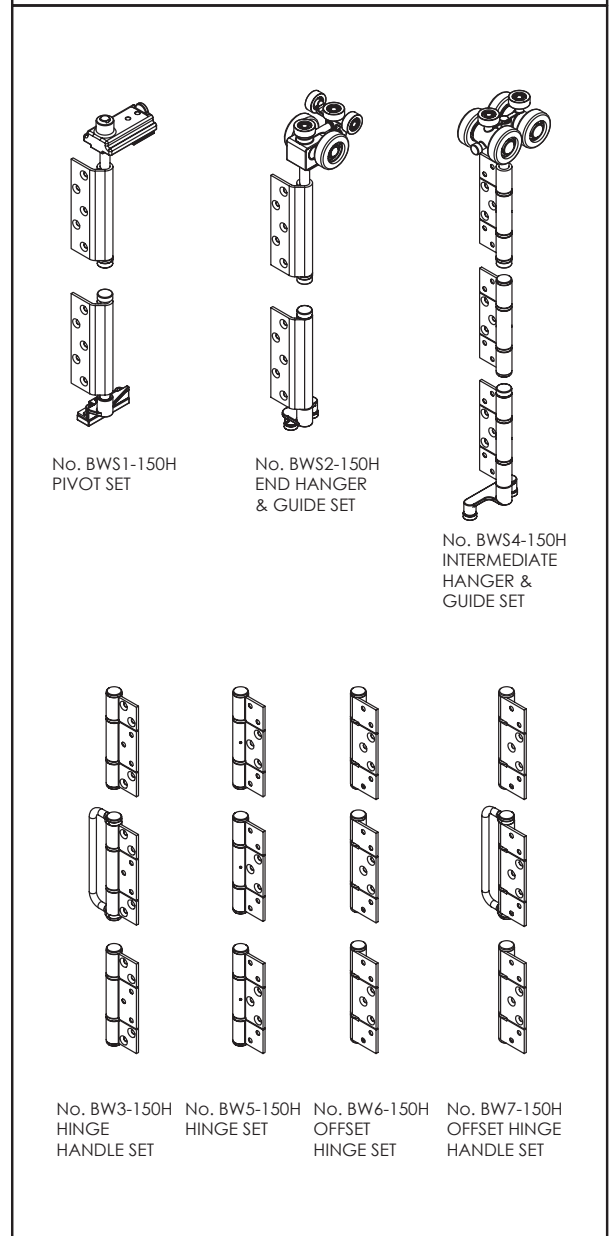
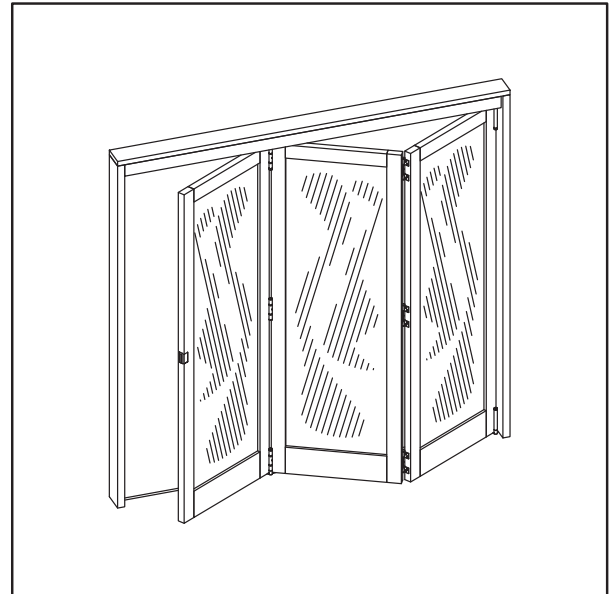
Jamb Pivot:	BW789H
--------------------	--------

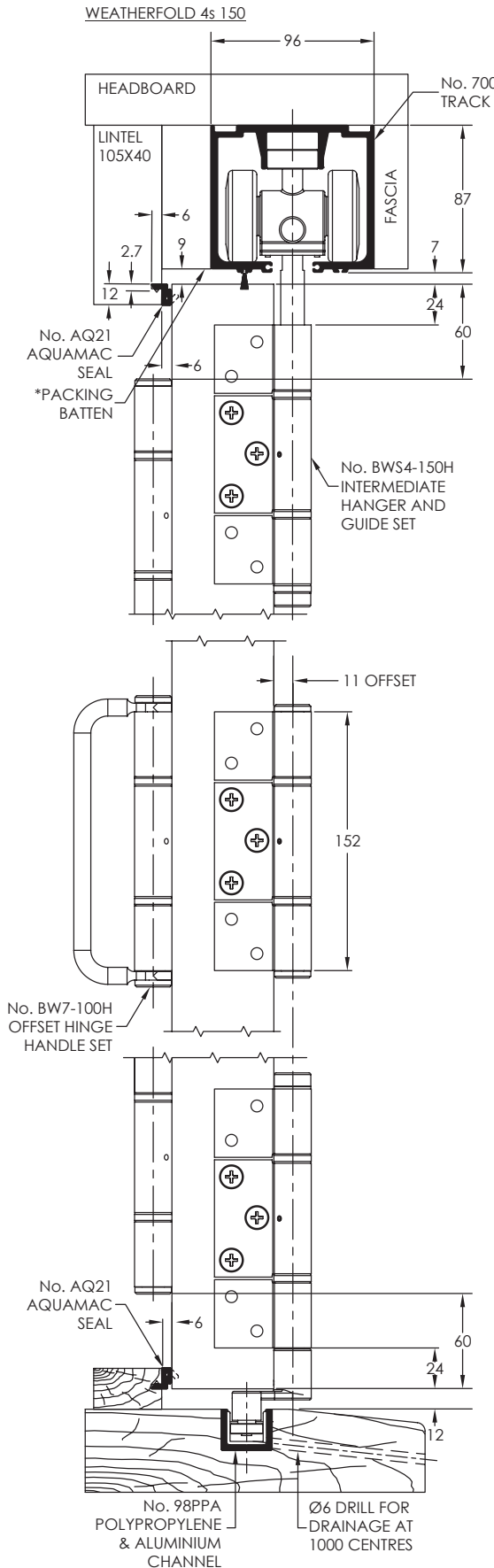
Hinge Sets:	
Hinge Handle Set	BW3-150H
Offset Hinge Handle Set	BW7-150H
Hinge Set	BW5-150H
Offset Hinge Set	BW6-150H

Channels:	
Polyprop Plus Support	98PPA
Standard lengths	4000mm and 6000mm

Accessories:	
Flush Pull	401
Flush Bolt - 190mm	456R
Flush Bolt - 450mm	456RL
Flush Bolt - 600mm	456RLX-600
Flush Bolt - 1000mm	456RLX-1000
Flush Bolt - 190mm	456RIH
Bottom Inward Opening	
Flush Bolt - 190mm Top Necked	456RNH
Flush Bolt - 600mm Top Necked	456RLNH
Flush Bolt - 1000mm Top Necked	456RNXH
Frame Seal - White	AQ21W
Frame Seal - Brown	AQ21B
Door Seal - White	AQ33W
Door Seal - Brown	AQ33B
Track Seal	PS13B

Finish options
 Hardware: (SS) Satin Stainless.
 Flush bolts: (SN) Satin Nickel.

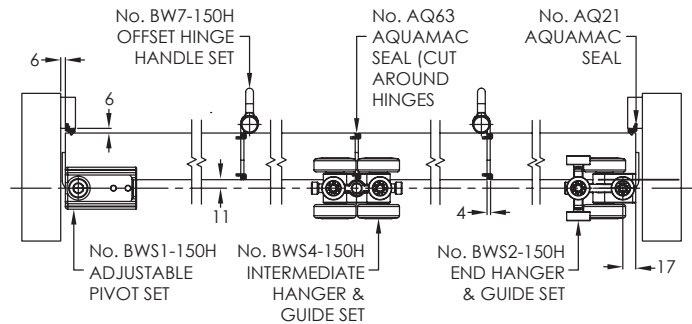




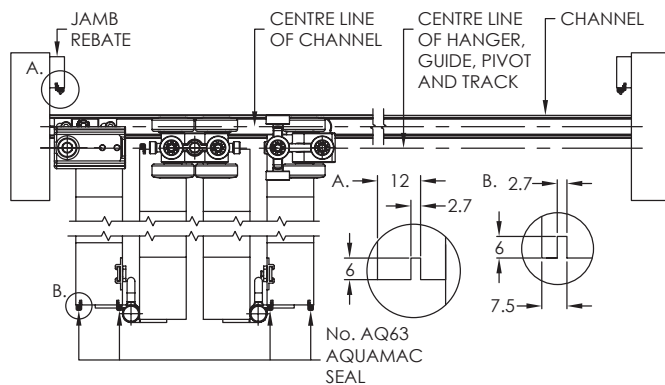
***PACKING BATTEN THICKNESS**

150kg TRACK:
31mm LESS THAN
PANEL THICKNESS

4+0 PANEL OUTWARD OPENING SYSTEM - CLOSED
(SHOWN WITHOUT TRACK OR HEAD SECTION)



4+0 PANEL OUTWARD OPENING SYSTEM - OPEN
(SHOWN WITHOUT HEAD SECTION)



4+0 PANEL OUTWARD OPENING SYSTEM - CLOSED
(TYPICAL OUTSIDE ELEVATION)

