

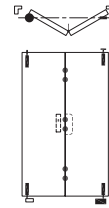
This Guide to Quantities is only applicable to Data Sheets E170 and E175.

Specification for Individual Panels

Track System	Weatherfold 5c 80
Refer to Data Sheet	E170
Max Panel Height	3000mm
Max Panel Weight	80kg
Max Panel Width	1000mm
Min Panel Thickness	38mm
Max Number of Panels	8 each direction

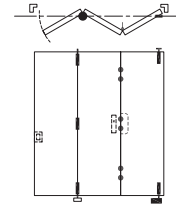
2 Panel Unit

	Quantities	Product Codes
Sill	1	98HSF-A20
Pivot Set	1	BWC1-80H
Hinge Handle Set	1	BW3-100H
End Roller Set Left	1	BWC2L-80SH
Dual Point Lock	1	286
Channel	1	98C-A20



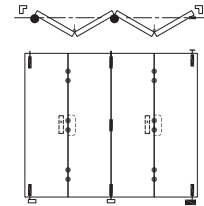
3 Panel Unit

	Quantities	Product Codes
Sill	1	98HSF-A30
Pivot Set	1	BWC1-80H
Offset Hinge Handle Set	1	BW7-100H
Intermediate Roller Set	1	BWC4-80SH
Dual Point Lock	1	286
Channel	1	98C-A30



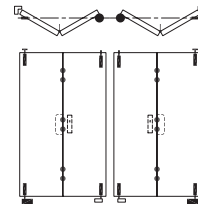
4 Panel Unit

	Quantities	Product Codes
Sill	1	98HSF-A40
Pivot Set	1	BWC1-80H
Offset Hinge Handle Set	2	BW7-100H
Intermediate Roller Set	1	BWC4-80SH
End Roller Set Left	1	BWC2L-80SH
Dual Point Lock	2	286
Channel	1	98C-A40



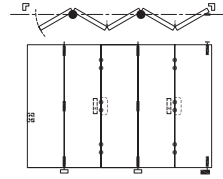
2+2 Panel Unit

	Quantities	Product Codes
Sill	1	98HSF-A40
Pivot Set	2	BWC1-80H
Hinge Handle Set	2	BW3-100H
End Roller Set Left	1	BWC2L-80SH
End Roller Set Right	1	BWC2R-80SH
Dual Point Lock	2	286
Channel	1	98C-A40



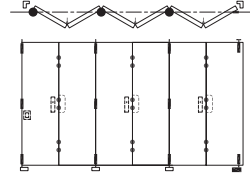
5 Panel Unit

	Quantities	Product Codes
Sill	1	98HSF-A60
Pivot Set	1	BWC1-80H
Offset Hinge Handle Set	1	BW7-100H
Intermediate Roller Set	2	BWC4-80SH
Hinge Handle Set	1	BW3-100H
Dual Point Lock	2	286
Channel	1	98C-A60



6 Panel Unit

	Quantities	Product Codes
Sill	1	98HSF-A60
Pivot Set	1	BWC1-80H
Offset Hinge Handle Set	2	BW7-100H
Intermediate Roller Set	2	BWC4-80SH
Hinge Handle Set	1	BW3-100H
End Roller Set Left	1	BWC2L-80SH
Dual Point Lock	3	286
Channel	1	98C-A60



*Note, for aluminium systems refer to data sheet E175. On 2+2 units use BWC2L-80SH and BWC2R-80SH respectively and increase clearance between meeting panels.

Application

For residential and commercial folding systems where weatherproofing of the opening is required.

This section covers Weatherfold 5c 80 hardware suitable for non mortice timber applications.

Brio Weatherfold 5c 80 hardware eliminates the need for a reinforced structural beam above the opening as all the door's weight is carried by a large diameter, horizontal bottom roller. Rollers come standard with stainless steel precision bearings.

Panel Specification

Track System:	Weatherfold 5c 80
Max Panel Height	3000mm
Max Panel Weight	80kg
Max Panel Width	1000mm
Panel Thickness	38mm
Max Number of Panels	8 each direction

Hardware Specification

Sills:	
Standard Sill	98HSF
Material	Aluminium clear anodised
Standard Lengths	2000mm, 3000mm, 4000mm and 6000mm

Roller Sets:	
Intermediate Roller Set:	BWC4-80SH
End Roller Set Left	BWC2L-80SH
End Roller Set Right	BWC2R-80SH

Pivot Set:	
	BWC1-80H

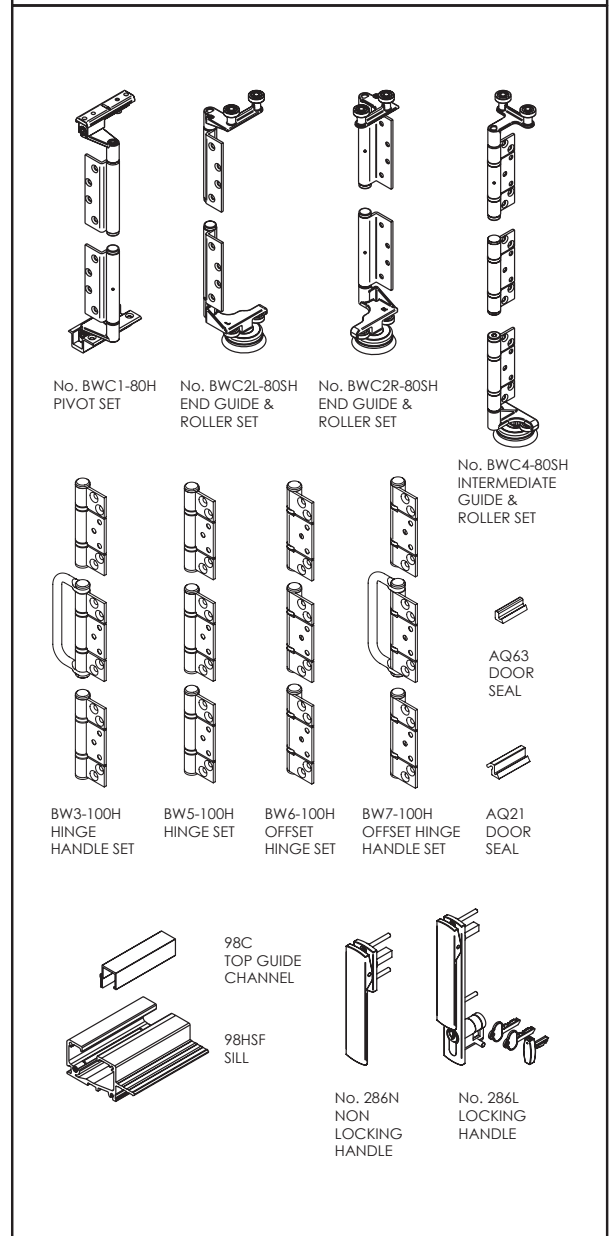
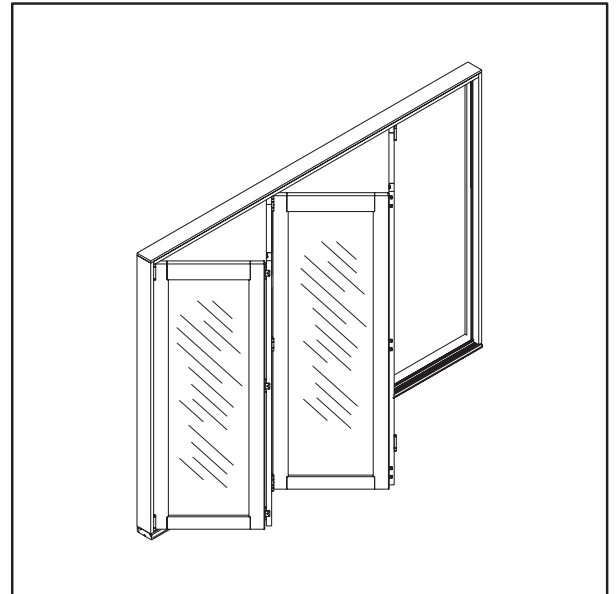
Jamb Pivot:	
	BW189H

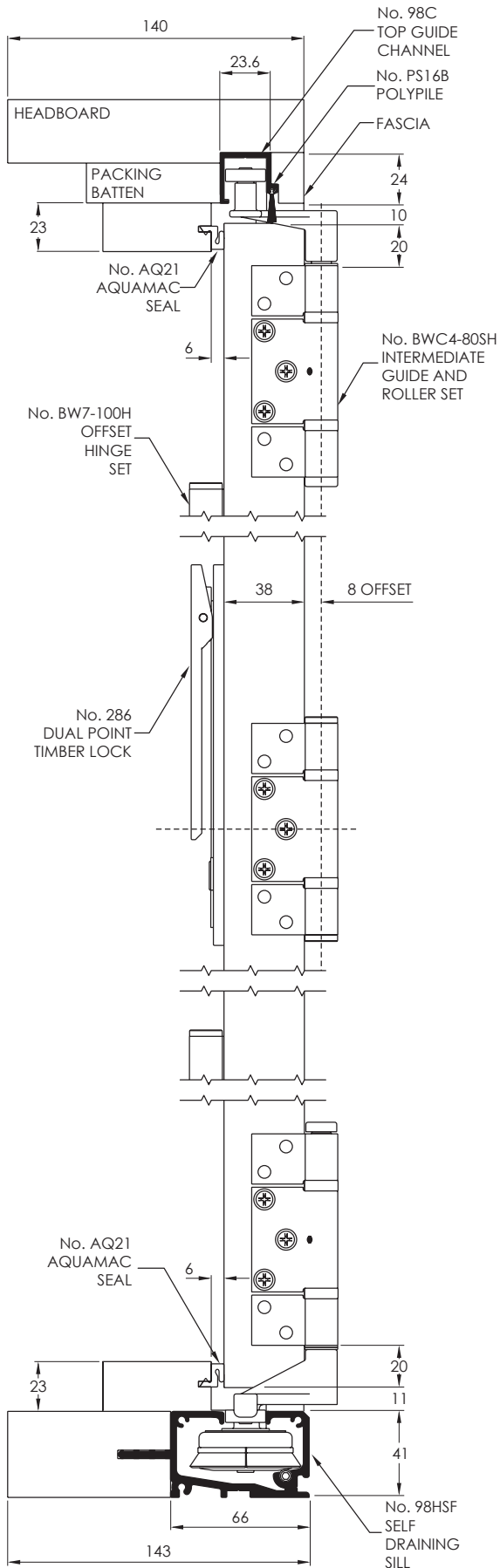
Hinge Sets:	
Hinge Handle Set	BW3-100H
Offset Hinge Handle Set	BW7-100H
Hinge Set	BW5-100H
Offset Hinge Set	BW6-100H

Channel:	
	98C
Material	Aluminium clear anodised
Standard lengths	2000mm, 3000mm, 4000mm and 6000mm

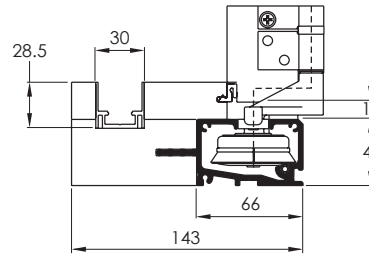
Accessories:	
Lock Body - 35mm back set	286T/35
Lock Body Dual Access - 35mm back set	286TD/35
Lock Body - 45mm back set	286T/45
Lock Body Dual Access - 45mm back set	286TD/45
Non Locking Handle	286N
Locking Handle 44mm+ panel	286L-40
Locking Handle Dual Access (Rod pack dependant on panel)	286DL
Security Aligner	199SS
Frame Seal - White	AQ21W
Frame Seal - Brown	AQ21B
Door Seal - White	AQ63W
Door Seal - Brown	AQ63B

Finish options
 Dual Point Lock: (SS) Satin Stainless, (SN) Satin Nickel, (PBR) Powdercoat Black
 Hardware: (SS) Satin Stainless

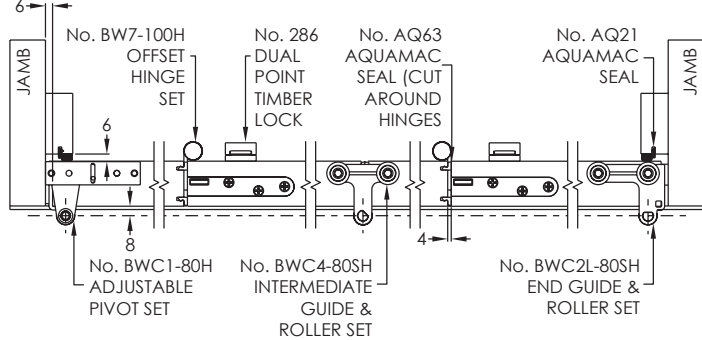




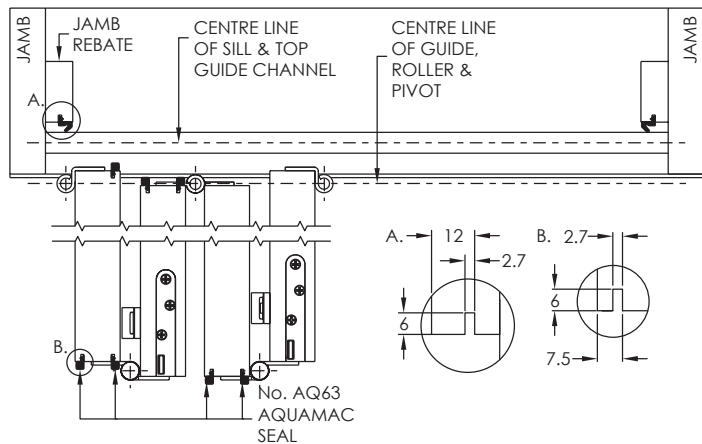
WEATHERFOLD 5c WITH 612
RETRACTABLE PLEATED SCREEN



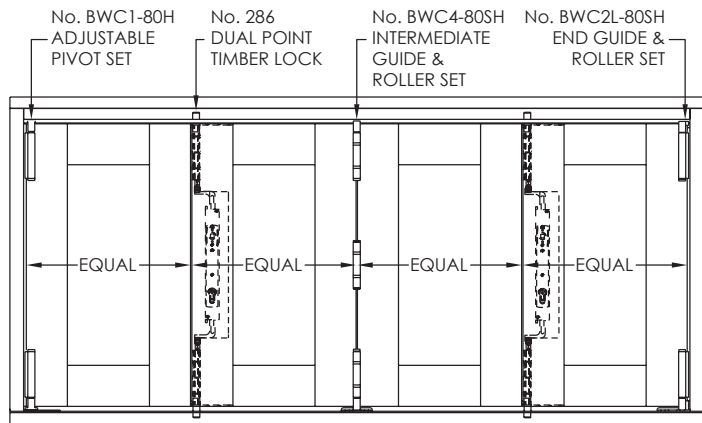
4+0 PANEL OUTWARD OPENING SYSTEM - CLOSED
(SHOWN WITHOUT TRACK OR HEAD SECTION)



4+0 PANEL OUTWARD OPENING SYSTEM - OPEN
(SHOWN WITHOUT HEAD SECTION)



4+0 PANEL OUTWARD OPENING SYSTEM - CLOSED
(TYPICAL OUTSIDE ELEVATION)



Application

For residential and commercial folding systems where weatherproofing of the opening is required.

This section covers Weatherfold 5c 80 hardware suitable for non mortice aluminium applications.

Brio Weatherfold 5c 80 hardware eliminates the need for a reinforced structural beam above the opening as all the doors weight is carried by a large diameter, horizontal bottom roller. Rollers come standard with stainless steel precision bearings.

Panel Specification

Track System:	Weatherfold 5c 80
Max Panel Height	3000mm
Max Panel Weight	80kg
Max Panel Width	1000mm
Panel Thickness	38mm
Max Number of Panels	8 each direction

Hardware Specification

Sills (if required):	
Standard Sill	98HSF
Material	Aluminium clear anodised
Standard Lengths	2000mm, 3000mm, 4000mm and 6000mm

Roller Sets:	
Intermediate Roller Set:	BWC4-80SH

Pivot Set:	
	BWC1-80H

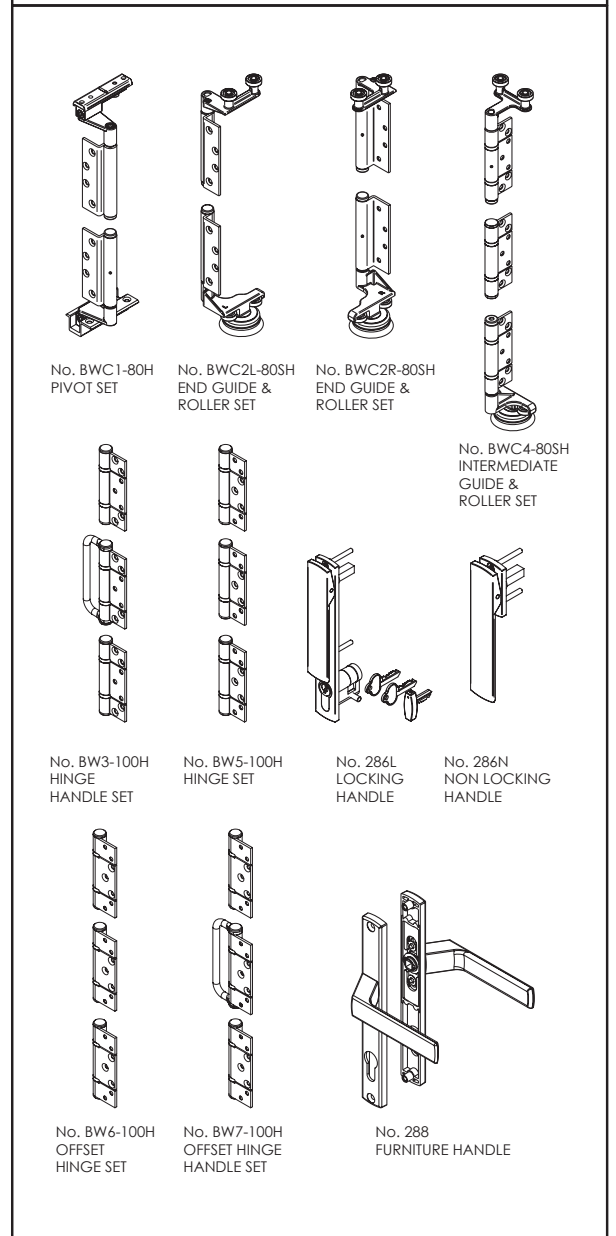
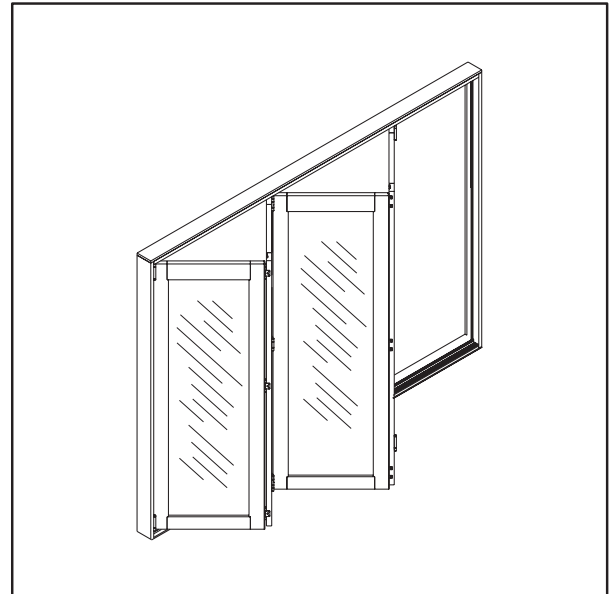
Jamb Pivot:	
	BW189H

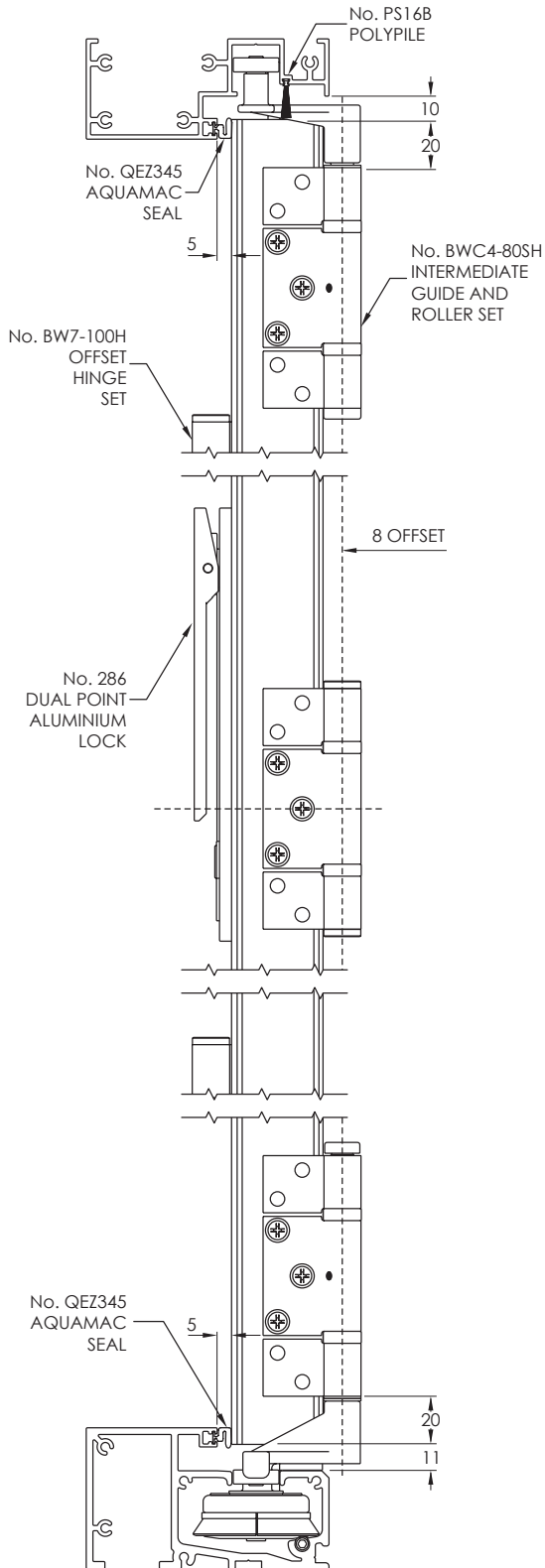
Hinge Sets:	
Hinge Handle Set	BW3-100H
Offset Hinge Handle Set	BW7-100H
Hinge Set	BW5-100H
Offset Hinge Set	BW6-100H

Channel (if required):	
Material	Aluminium clear anodised
Standard lengths	2000mm, 3000mm, 4000mm and 6000mm

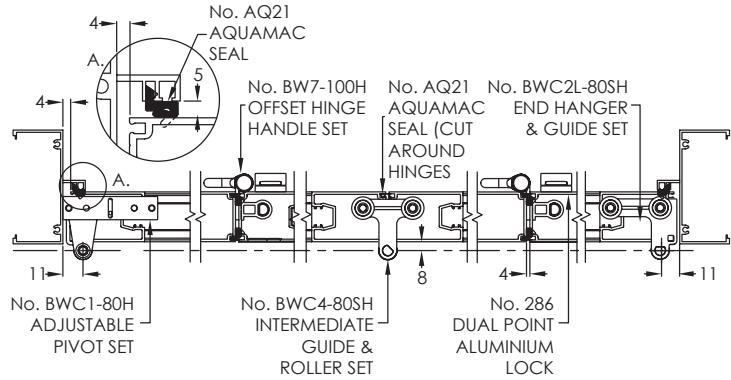
Accessories:	
Lever Furniture	288
Lock Body Dual Access	286AD
Lock Body	286A
Non Locking Handle	286N
Locking Handle	286L-40
Locking Handle Dual Access (Rod pack dependant on panel)	286DL

Finish options
Dual Point Lock: (SS) Satin Stainless, (SN) Satin Nickel, (PBR) Powdercoat Black
Hardware: (SS) Satin Stainless

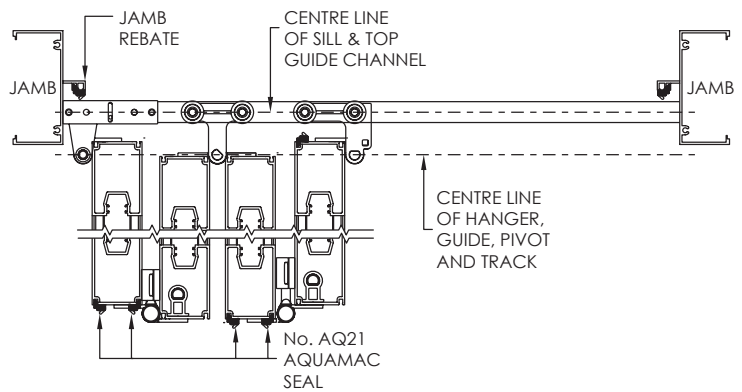




4+0 PANEL OUTWARD OPENING SYSTEM - CLOSED
(SHOWN WITHOUT TRACK OR HEAD SECTION)



4+0 PANEL OUTWARD OPENING SYSTEM - OPEN
(SHOWN WITHOUT HEAD SECTION)



4+0 PANEL OUTWARD OPENING SYSTEM - CLOSED
(TYPICAL OUTSIDE ELEVATION)

