

Applications

Brio's Open Round Rail Glass is an ideal internal system for residential and commercial applications of toughened glass panels with exposed hangers and rail.

Open Round Rail Glass 100 hangers are 304 stainless steel with precision bearings.

Panel Specification

Track System:

For Individual Panels:

Max Panel Height
Max Panel Width
Max Panel Weight
Panel Thickness

Open Round Rail Glass 100

3000mm
2000mm
100kg
8-12mm

Standard Packs

Packs include hangers, door stops, guide, handle, brackets and fixings.

Pack No.

ORG100
ORG100PR

Finishes

Stainless Steel
PVD Black

Hardware Specification

Track:

Material
Standard lengths
Finishes

100OR
Stainless Steel
2000mm, 2500mm, 3000mm and 4000mm
Stainless Steel and PVD Black (except 4000mm)

Support Bracket:

Support bracket

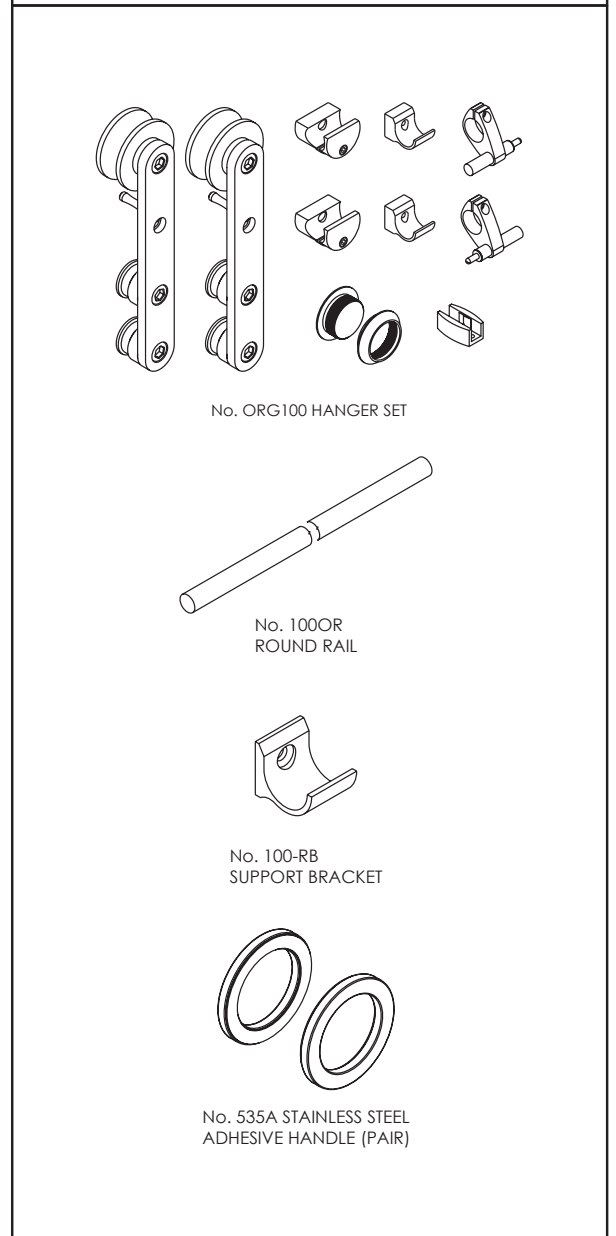
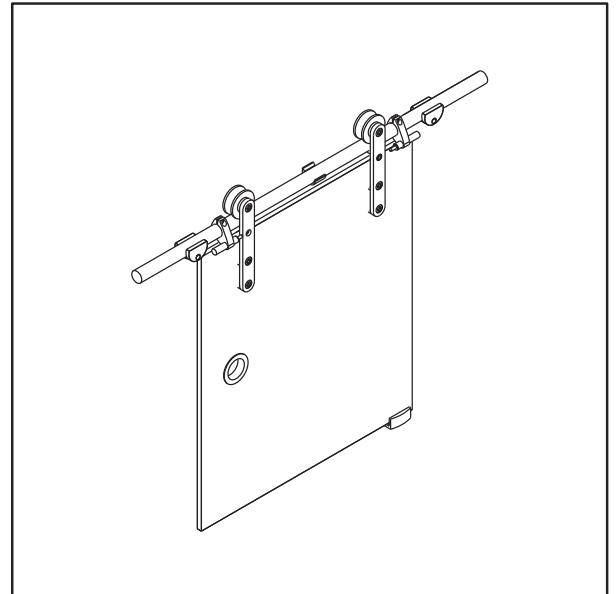
100-RB or 100-RBPR

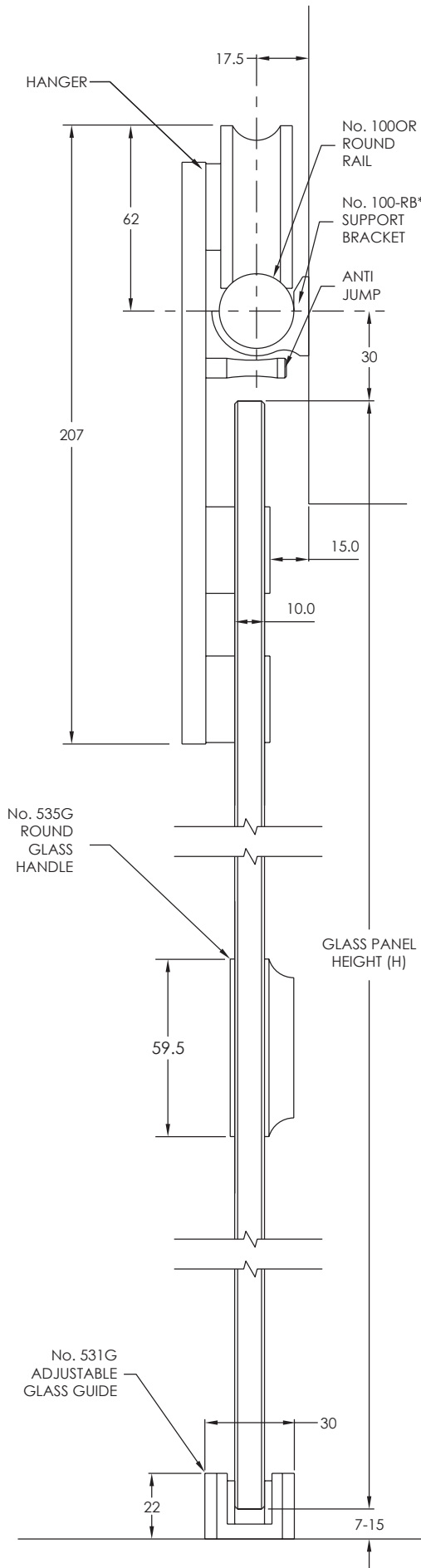
Accessories:

Handle

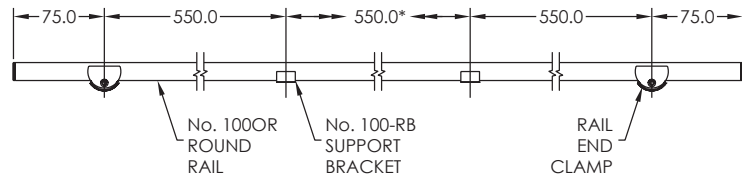
535A

Only available in stainless steel finish



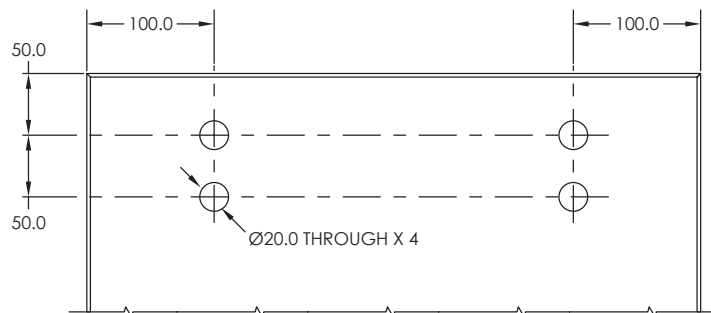


BRACKET PLACEMENT

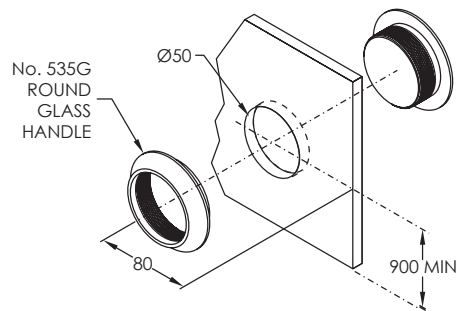


RAIL LENGTH	*ADDITIONAL No. 100-RB REQUIRED
2500mm	1
3000mm	2
4000mm	4

GLASS PREPARATION

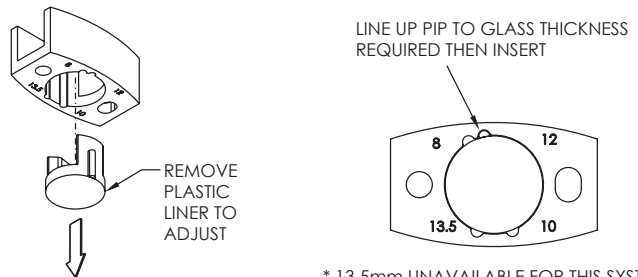


ROUND GLASS HANDLE



ADJUSTABLE GLASS GUIDE

CAN BE ADJUSTED TO SUIT 8, 10, 12mm THICK GLASS*



* 13.5mm UNAVAILABLE FOR THIS SYSTEM

GLASS PANEL SIZES

PANEL THICKNESS	MAX AREA	MAX HEIGHT	MAX WIDTH *
8mm (20kg/m ²)	5m ²	3m	1.7m
10mm (25kg/m ²)	4m ²	3m	1.3m
12mm (30kg/m ²)	3.3m ²	3m	1.1m

* MAX WIDTH INCREASE AS HEIGHT DECREASES