

Application

Widely used in lighter commercial and industrial applications.

To cover any width of opening, any number of panels can be used.

To accommodate different building designs, panels can slide to one or both sides.

Hinged panel for easy access may be incorporated into a sliding system.

Where panels are fitted externally, a canopy is recommended.

Panel Specification

Track System:

For Individual Panels:	Single Run 180
Max Panel Height	3000mm
Max Panel Weight	180kg
Min Panel Thickness	35mm

For ease of operation it is recommended that the panel width should not exceed 75% of panel height.

Timber panels for interior use can be of flush construction or glazed. Timber panels for industrial applications should be framed, ledged and braced. Metal panels should be constructed of box section, channel or angle framing, well braced and clad with flat or corrugated sheets.

Hardware Specification

Track:	180
Material	Aluminium
Finish	Mill or clear anodised
Standard lengths	2000mm, 3000mm, 4000mm and 6000mm

Brackets:

Face fitted stainless steel angle	1SS/250
Double face fitted bracket SS	5SS/250
Fit at 400mm maximum centres	

Hangers (2 per panel):

Timber panels - angle fitting	52GN	Stainless Option
Timber panels - plate fitting	57GN	52SS/GN
Metal panels - angle frame	56GN	57SS/GN
Metal panels - box frame	56GLN	56SS/GN
Metal panels - plate fitting	57GN	56SS/GLN
		57SS/GN

Hanger supplied with timber screws, fixing plate and nylon tyred precision bearings. Vertical adjustment is simple and positive. Nylon tyre wheel hangers should not be used on installations involving temperatures exceeding 80°C.

Guides:

Timber panels - SS plate fitting	106RB/94
Multiple panels - bearing	106A/94
Multiple panels - T slot	106AT

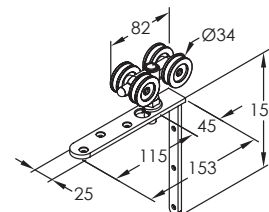
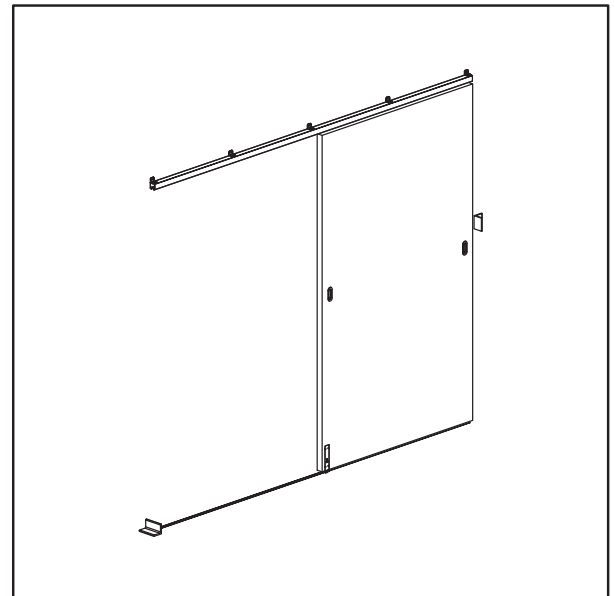
Channels:

Aluminium	94A Mill or clear anodised
Aluminium & Polypropylene	94PPA Mill or clear anodised
Brass	94B
Standard lengths	2000mm, 3000mm, 4000mm and 6000mm

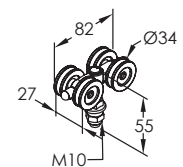
Accessories:

Door Collector - multiple panels	924-DC
Door Stop	180DS
Flush Pulls	401
Flush Bolts	456

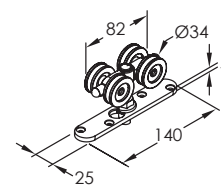
Flush bolts and flush pulls are available in (PVDB) PVD Brass, (SN) Satin Nickel & (PN) Polished Nickel



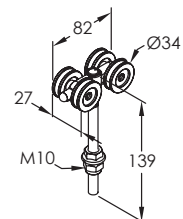
No. 52GN HANGER



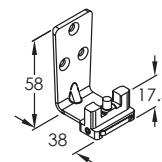
No. 56GN HANGER



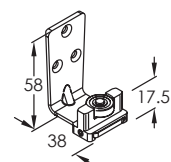
No. 57GN HANGER



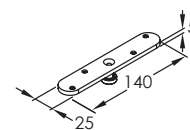
No. 56GLN HANGER



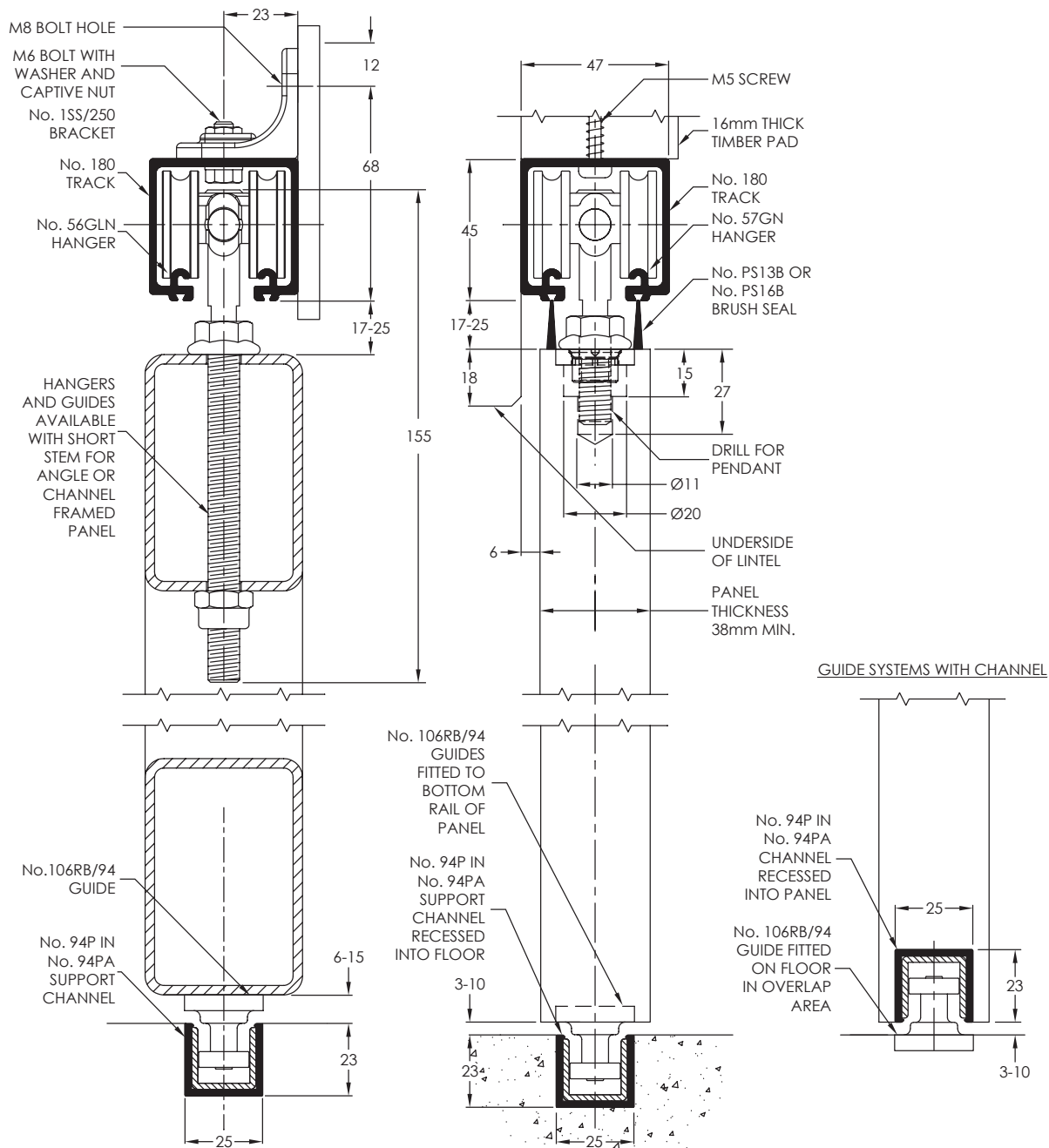
No. 106AT GUIDE



No. 106A/94 GUIDE

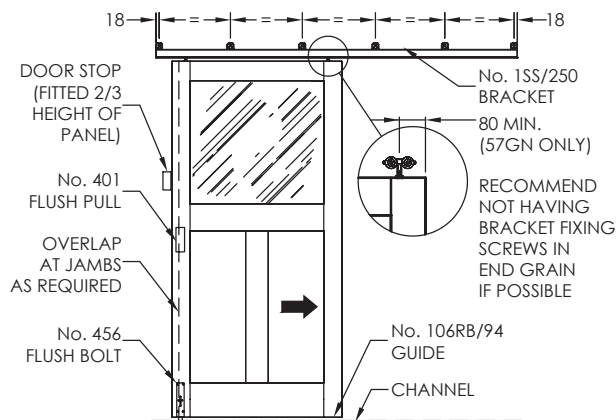


No. 106RB/94 GUIDE



HARDWARE PLACEMENT
FRONT VIEW (PANEL SLIDING INSIDE)

BRACKET PLACEMENT
18mm TO CENTRE OF FIRST BRACKET FROM EACH END, THEN A BRACKET APPROXIMATELY EVERY 400mm CENTRES.



STANDARD TRACK LENGTH	2000	3000	4000	6000
No. OF BRACKETS	6	9	11	16

