

Brio® X Y Adjustable 2D hinges

Brio Australia
 P: +61 2 87186718
 W: brio.com.au
 E: brio.sales@allegion.com

Brio UK
 P: +44 191 2291224
 W: briouk.com
 E: brio.sales.uk@allegion.com

Brio USA
 P: +1 585 3195599
 W: briouusa.com
 E: brio.sales.usa@allegion.com

Codes

BW 9 A - 50 H PBK — Finish: PBK (Alloy Powder Coat Black), PWT (Alloy Powder Coat White), SN (Alloy Satin Nickel), PR (Physical Vapour Deposition Black), SS (Satin Stainless)

Hinge Type: Non-Mortice Hinge
 Load Capacity: 50kg (110lbs) and 100kg (220lbs) Panels
 Application: A (Aluminium System), T (Wood System)
 Set No.: 9 (Adjustable Hinge Set)

Brio Hinge Set

Sets No finishes shown.

Alu Panels
 50 & 100kg
 BW9A-50H
 BW9A-100H



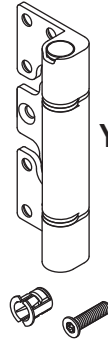
M5x20 Torx x27
 M5 Cage nut x27

Wood Panels
 50 & 100kg
 BW9T-50H
 BW9T-100H



No. 12Gx32 Torx
 Wood screw x27

Additional hinge
 Alu door
 BWA231
 BWA211



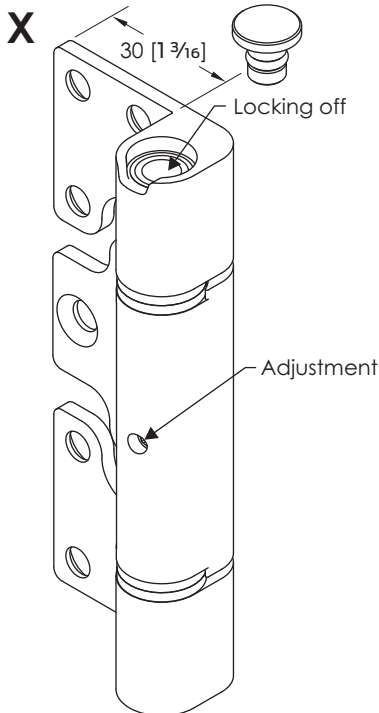
M5x20 Torx x9
 M5 Cage nut x9

Additional hinge
 Wood door
 BWT231
 BWT211

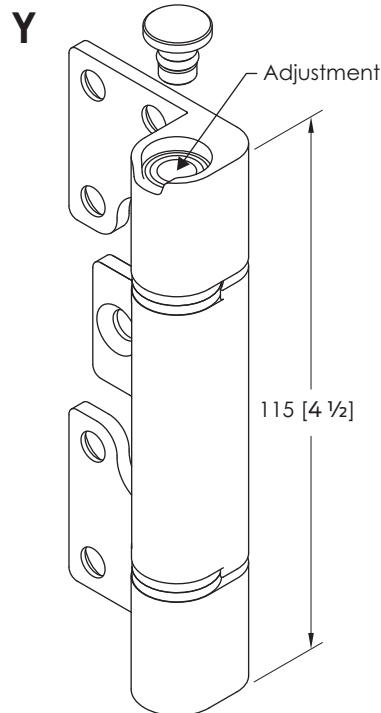


No. 12Gx32 Torx
 Wood screw x9

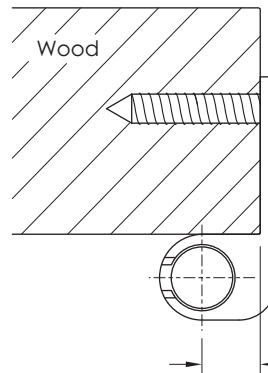
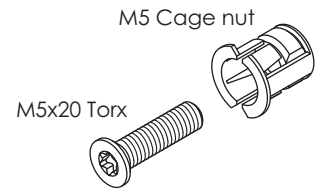
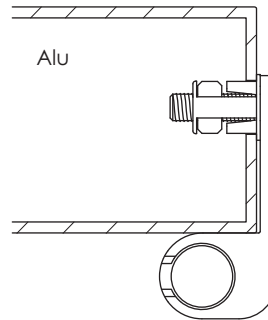
Horizontal x2



Vertical x1



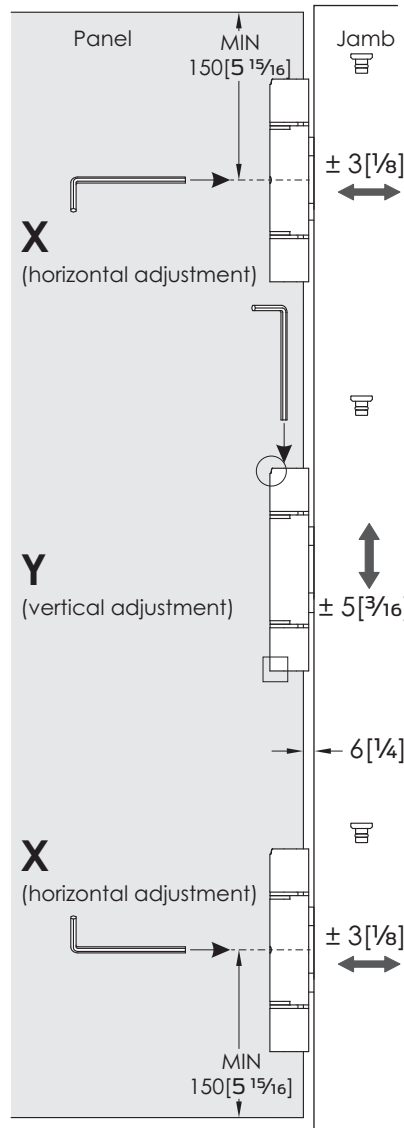
FIXINGS



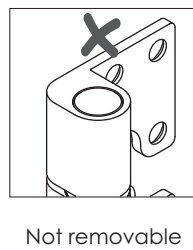
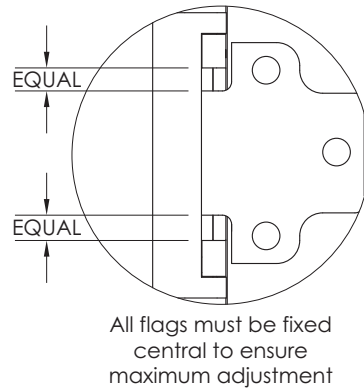
No. 12Gx32 Torx
 Wood screw

Installation

Position



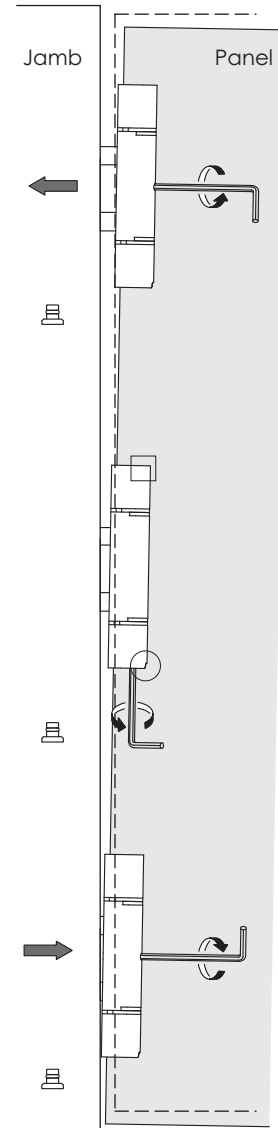
Important



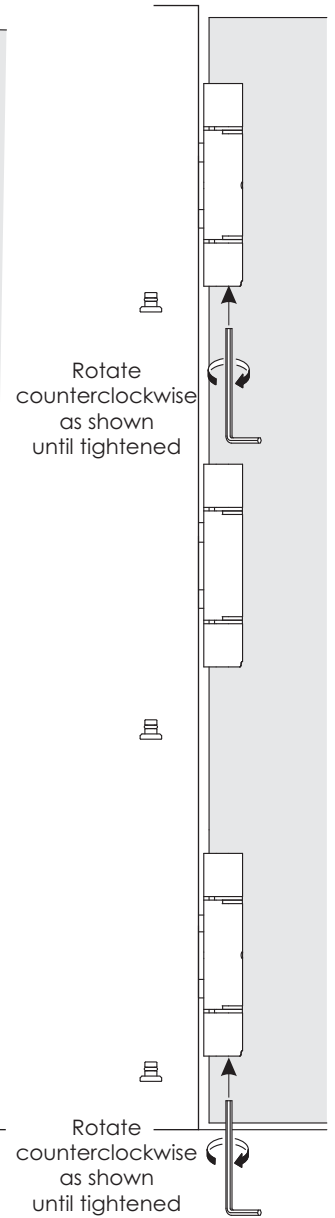
Note

Hinges are non-handed.
Rotate hinges for opposite orientation

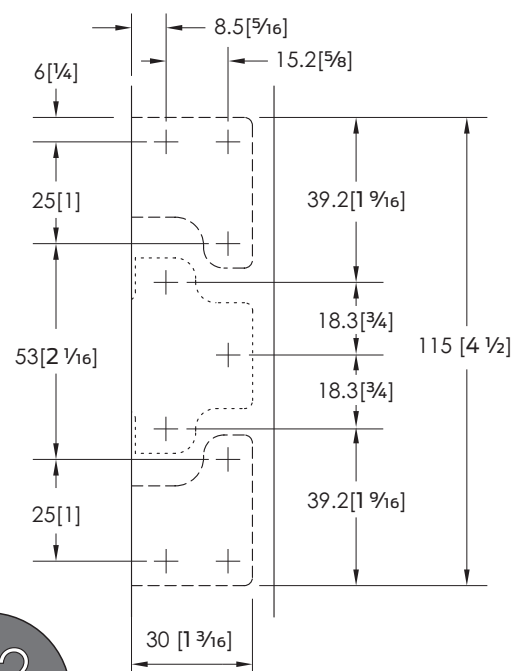
Adjustment



Locking off

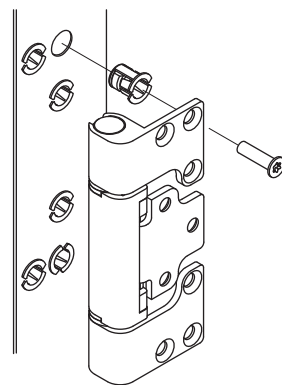


Hole Pattern

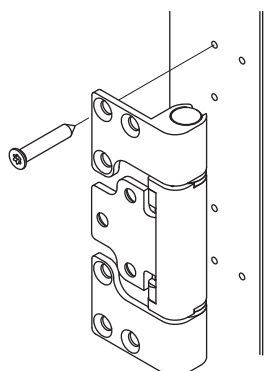


Alu Panel

Clearance hole Ø10.0mm [3/8]



Wood Panel
Pilot hole of Ø3.5mm [1/8]



4 hinge configuration

