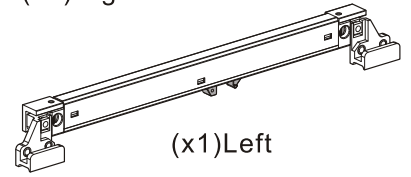
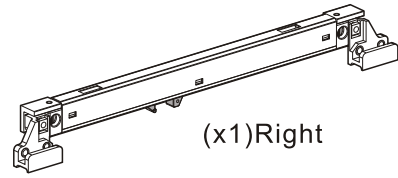
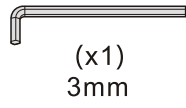
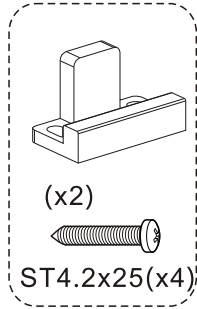
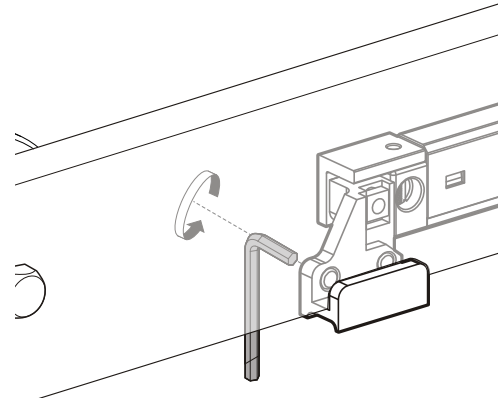
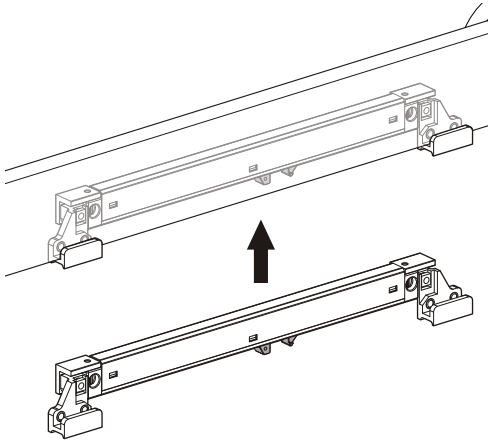


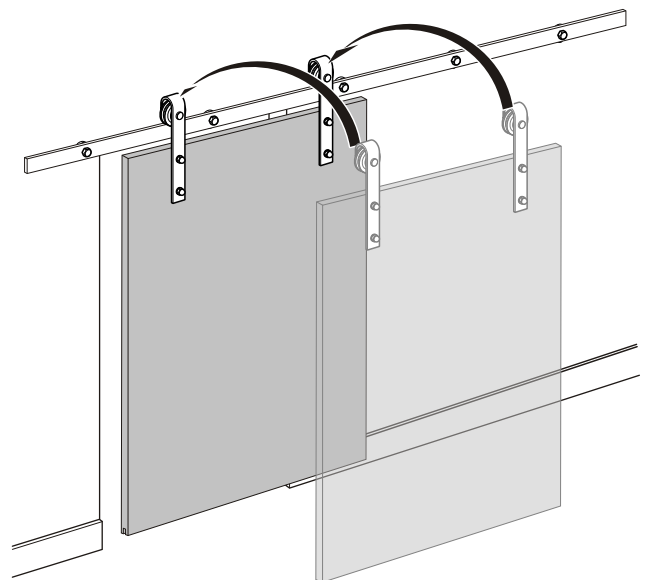
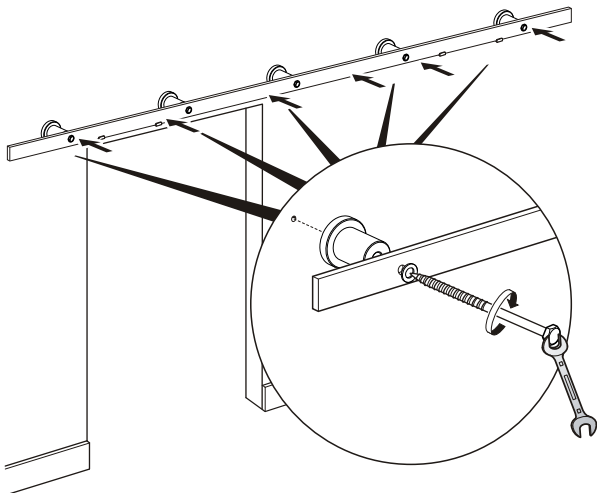
# Installation Manual

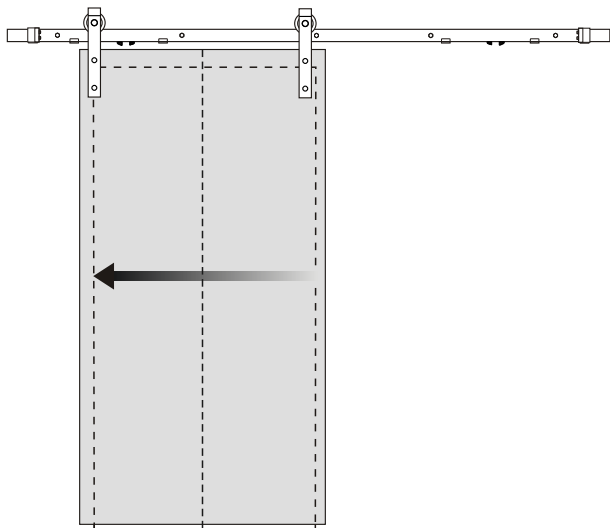
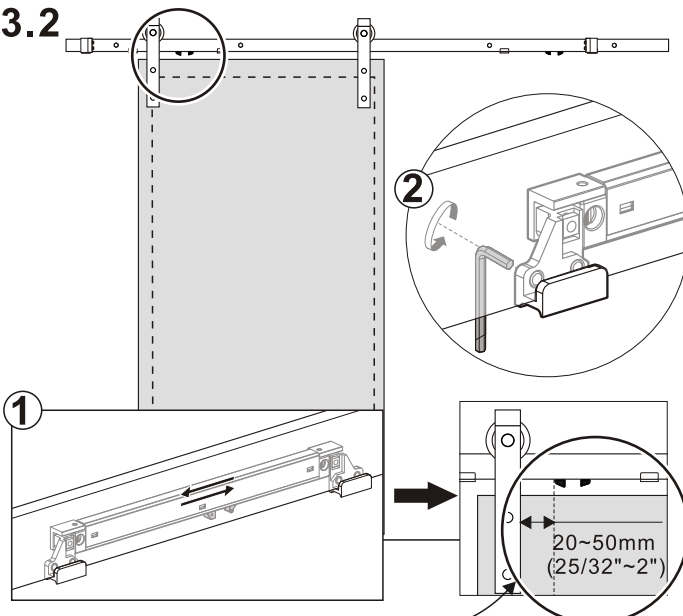
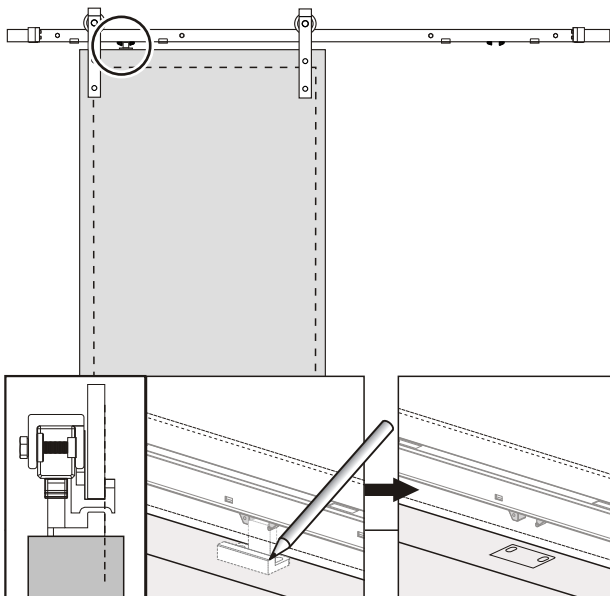
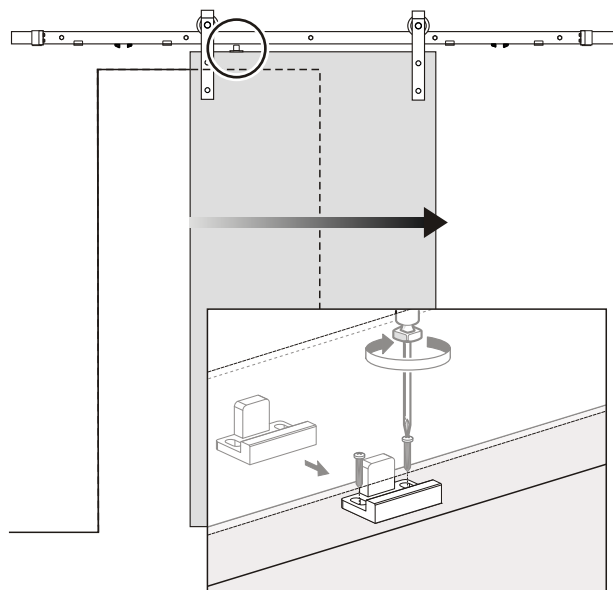


1

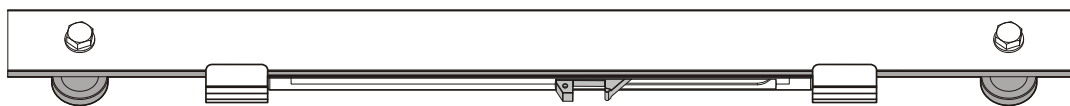


2

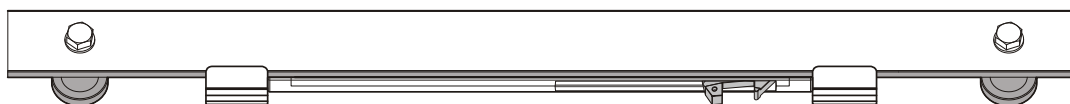


**3****3.1**DOOR CENTER  
TO OPENING**3.2**Move the soft close to a proper position  
and tighten the screw of the connector to the rail completely.**3.3****3.4****3.5**

Left



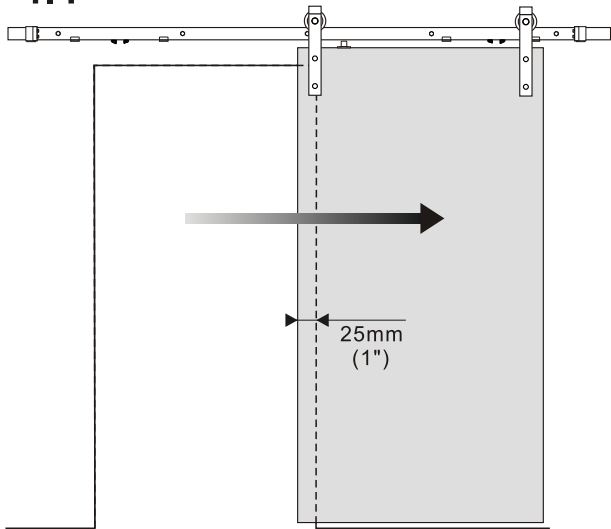
Slider closed



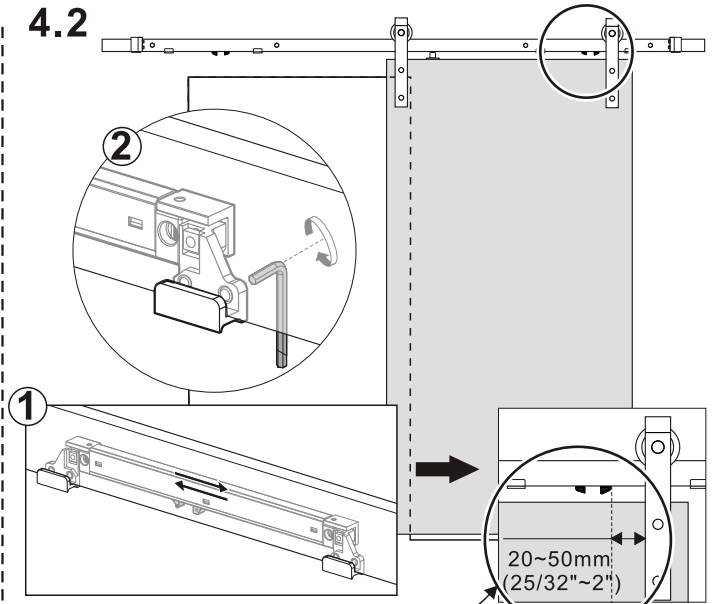
Slider opened

4

4.1

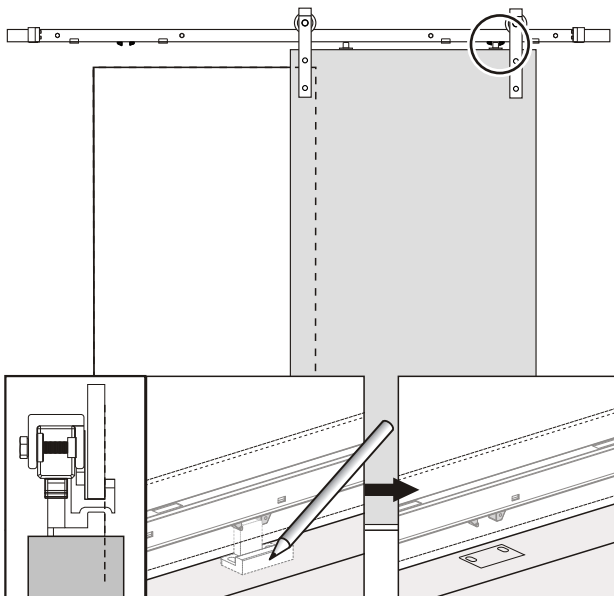


4.2

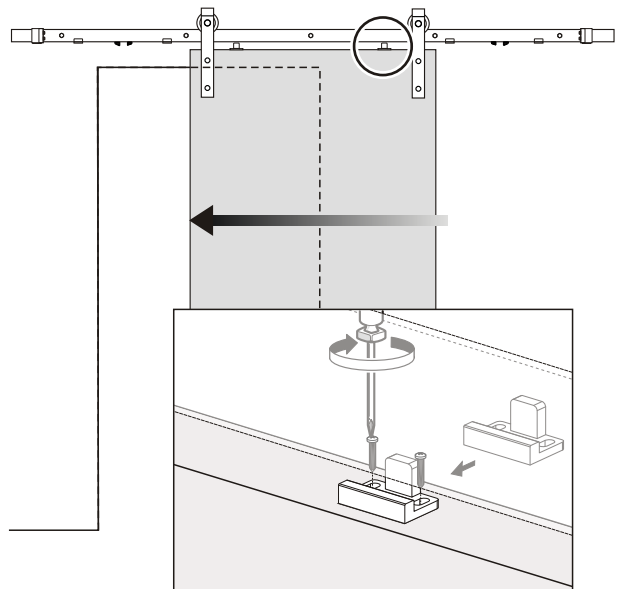


Move the soft closer to a proper position and tighten the screw of the connector to the rail completely.

4.3

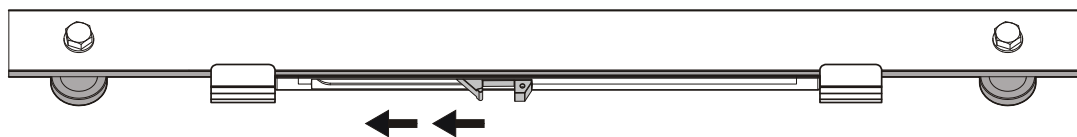


4.4

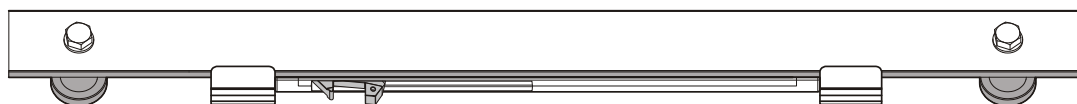


4.5

Right

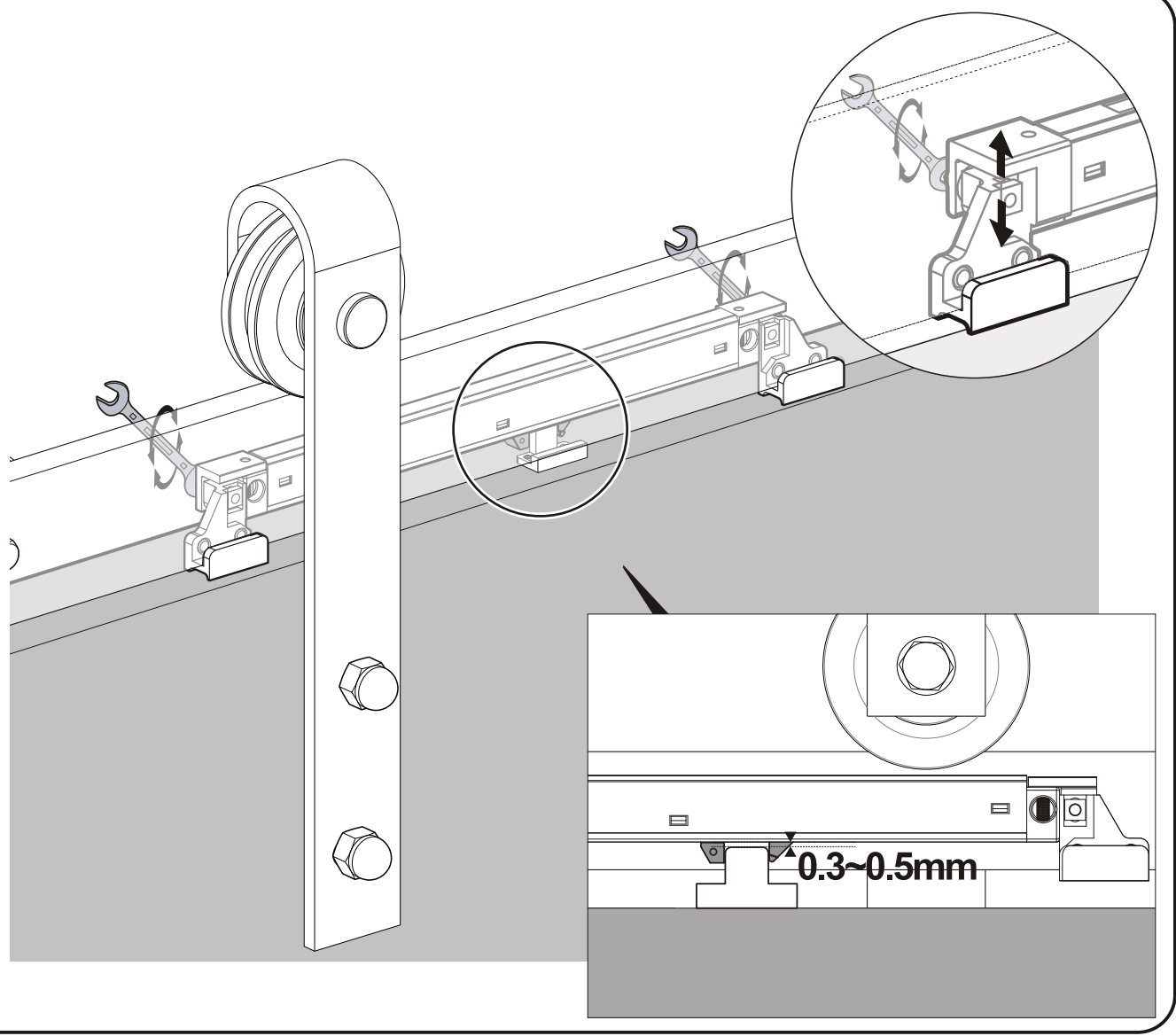


Slider closed

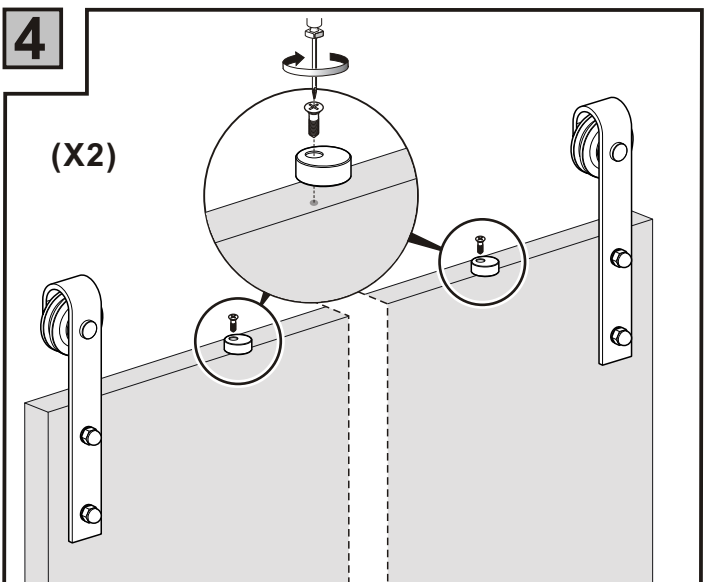
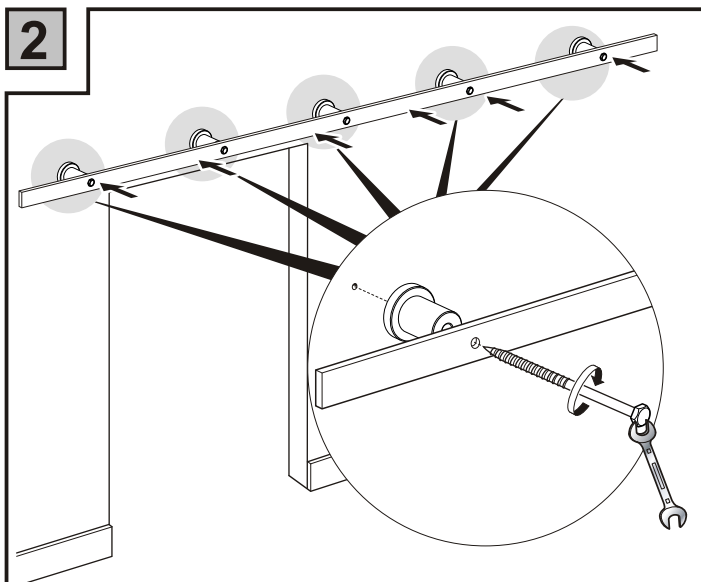
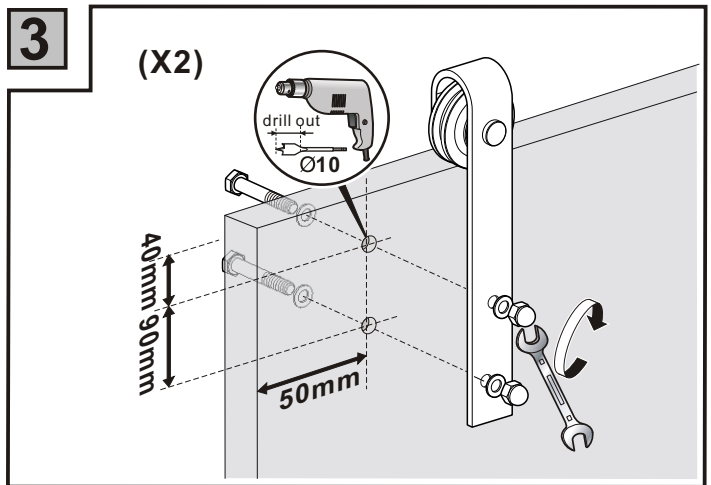
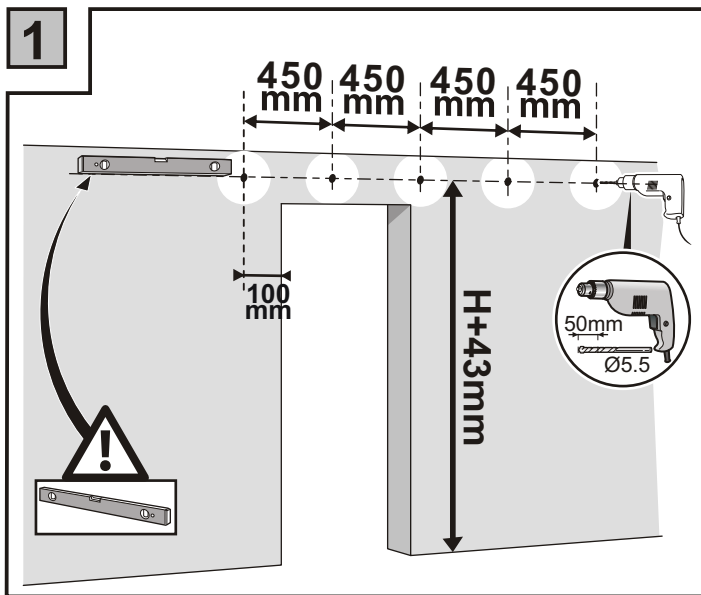
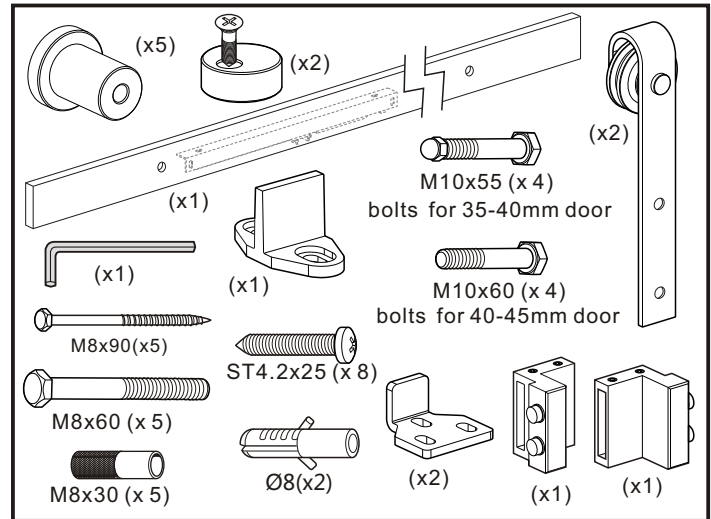
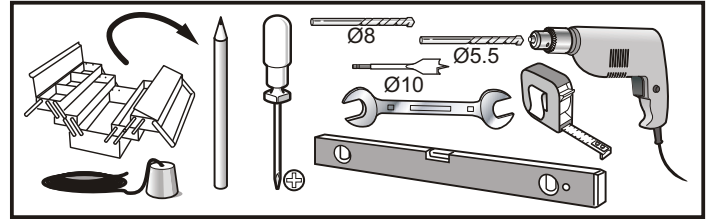
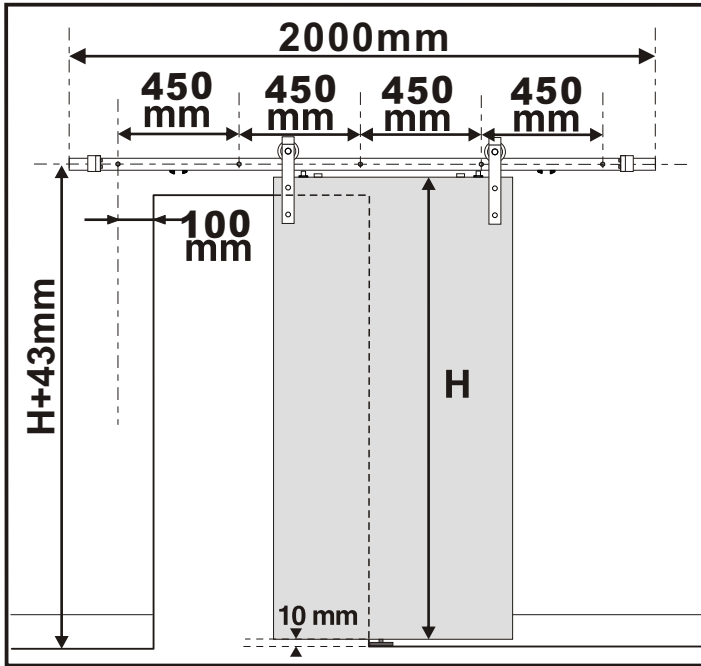


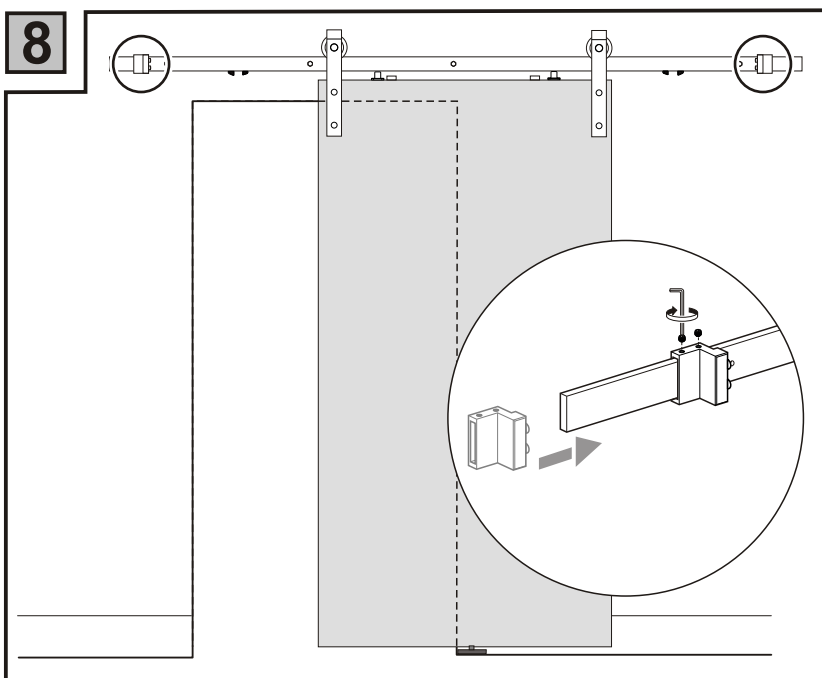
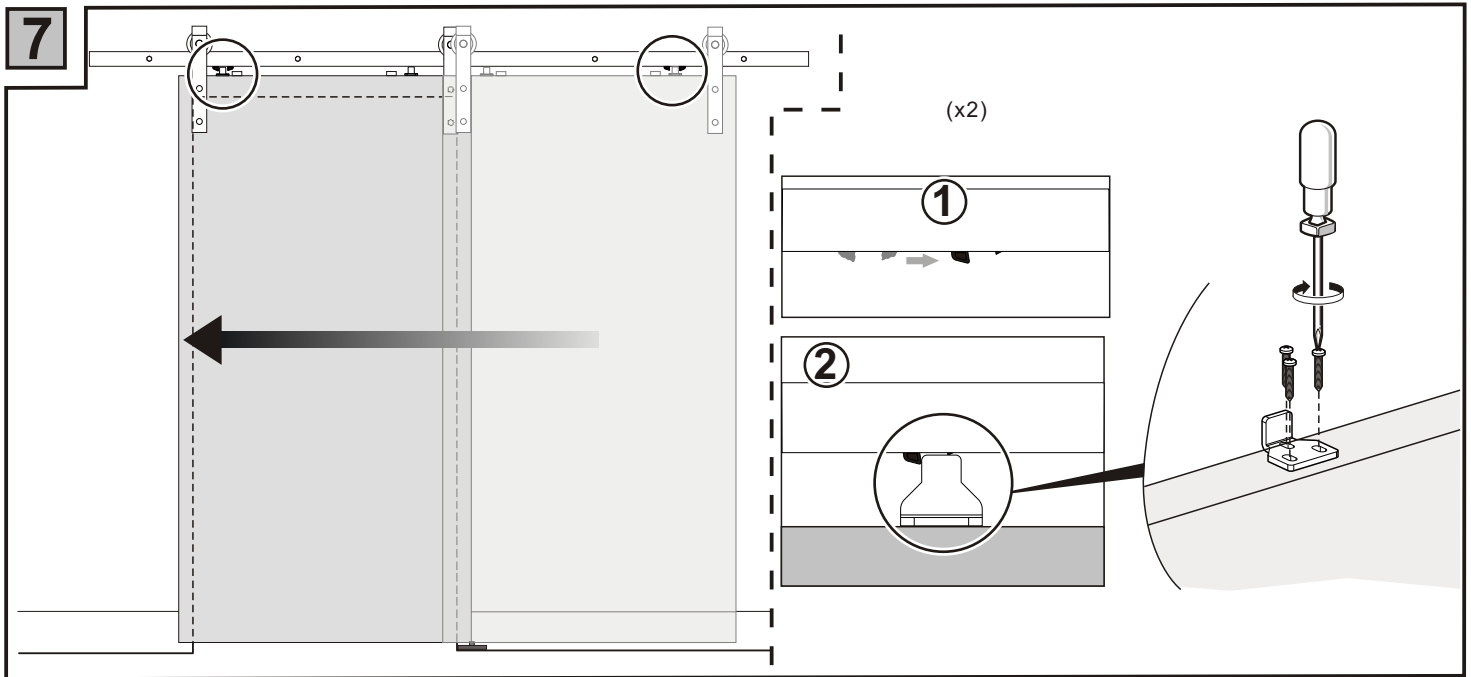
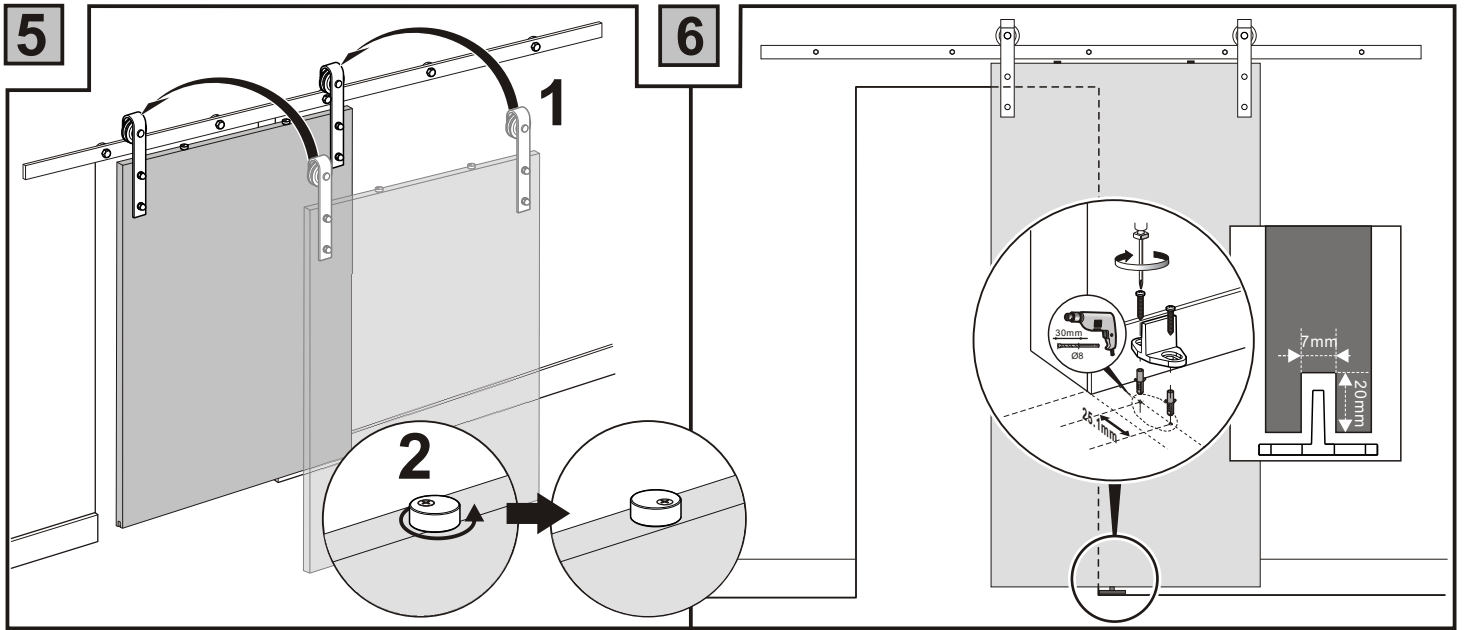
Slider opened

5



# Installation Manual





# Installation Manual

