

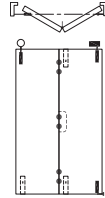
This Guide to Quantities is only applicable to Data Sheets D200.

Specification for Individual Panels

Track System	Interfold 50F
Max Panel Height	2600mm
Max Panel Weight	50kg
Max Panel Width	820mm
Min Panel Thickness	35mm
Max Number of Panel	4 each direction

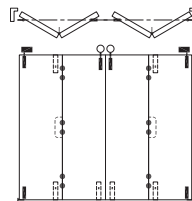
2 Panel Unit

	Quantities	Product Codes
Track	1	180A-A20
Pivot Set	1	BWS1F-75H
Hinge Handle Set	1	BW3-100H
End Hanger Set	1	BWS2F-50CH
Flush Bolt Top	1	456
Flush Bolt Bottom	2	456E



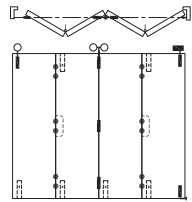
2+2 Panel Unit

	Quantities	Product Codes
Track	1	180A-A40
Pivot Set	2	BWS1F-75H
Hinge Handle Set	2	BW3-100H
End Hanger Set	1	BWS2F-50CM
End Hanger Set	1	BWS2F-50CM
Flush Bolt Top	2	456
Flush Bolt Bottom	4	456E



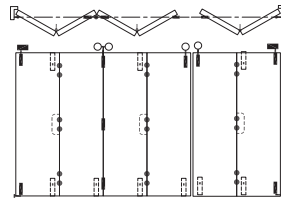
4 Panel Unit

	Quantities	Product Codes
Track	1	180A-A40
Pivot Set	1	BWS1F-75H
Offset Hinge Handle Set	2	BW7-100H
Intermediate Hanger Set	1	BWS4F-50CH
End Hanger Set	1	BWS2F-50CH
Flush Bolt Top	2	456
Flush Bolt Bottom	4	456E



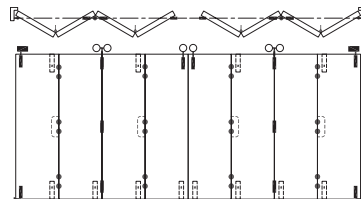
4+2 Panel Unit

	Quantities	Product Codes
Track	1	180A-A60
Pivot Set	2	BWS1F-75H
Offset Hinge Handle Set	2	BW7-100H
Hinge Hanger Set	1	BW3-100H
Intermediate Hanger Set	1	BWS4F-50CH
End Hanger Set	1	BWS2F-50CM
End Hanger Set	1	BWS2F-50CM
Flush Bolt Top	3	456
Flush Bolt Bottom	6	456E



4+4 Panel Unit

	Quantities	Product Codes
Track	2	180A-A40
Pivot Set	2	BWS1F-75H
Offset Hinge Handle Set	4	BW7-100H
Intermediate Hanger Set	1	BWS4F-50CH
Intermediate Hanger Set	1	BWS4F-50CH
End Hanger Set	1	BWS2F-50CM
End Hanger Set	1	BWS2F-50CM
Flush Bolt Top	4	456
Flush Bolt Bottom	8	456E





Application

For residential and commercial interior folding panels that close against rebate.

Interfold 50F hardware is suitable for timber systems without bottom guide, with all panels of equal width.

Specifically designed for applications where sound and light proofing is required.

Interfold 50F hangers are cast 316 marine grade stainless steel with precision chrome bearings and nylon outer wheels.

Panel Specification

Track System:	Interfold 50F
Max Panel Height	2600mm
Max Panel Weight	50kg
Max Panel Width	820mm
Min Panel Thickness	35mm

Units of up to four panels can be pivoted to each side of the opening.

Panels should be constructed to provide secure fitting for the pivot, hanger and hinge sets. Sets include timber screws.

Hardware Specification

Track:	180A
Material	Aluminium
Finish	Mill or Clear Anodised
Standard Lengths	2000mm, 3000mm, 4000mm and 6000mm

Hanger Sets:	
End Hanger - Non Mortice	Includes Hanger BWS2F-50CH
End Hanger - Mortice	Includes Hanger BWS2F-50CM
Intermediate Hanger Set	Includes Hanger and Hinge BWS4F-50CH

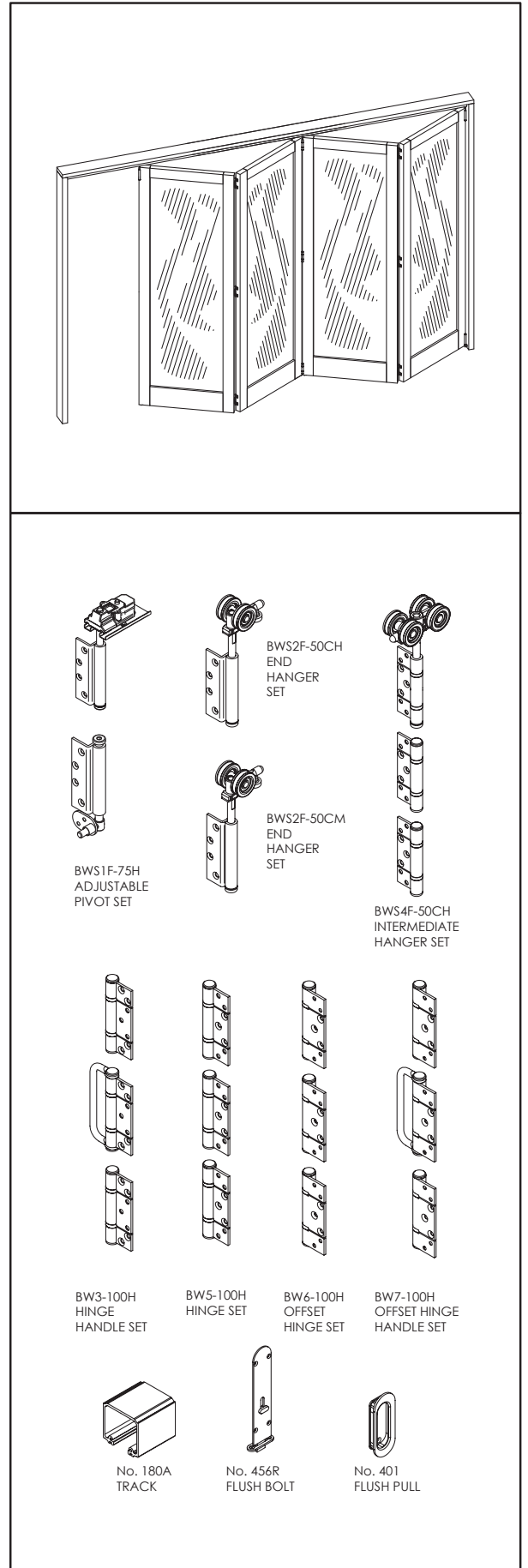
Pivot Set:	
Top and Jamb Pivots	BWS1F-75H

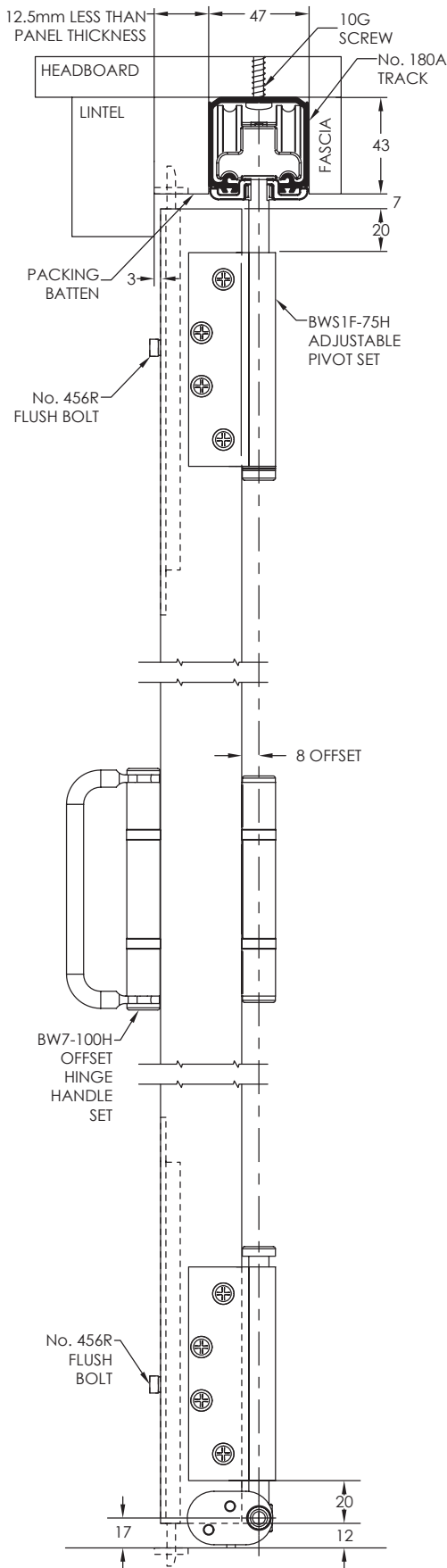
Hinge Sets:	
Hinge Handle Set	BW3-100H
Offset Hinge Handle Set	BW7-100H
Hinge Set	BW5-100H
Offset Hinge Set	BW6-100H

Accessories:	
Flush Bolt Standard	456
Flush Bolt Lockable	456E
Flush Bolt Long	456L
Masonry Keeper	360RK

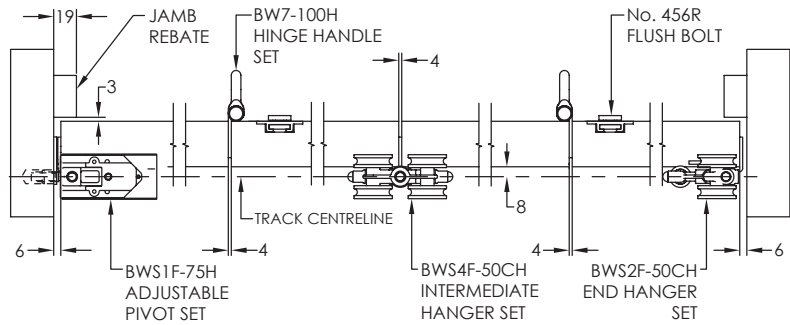
Finish options

Hardware: (SS) Satin Stainless, (PS) Polished Stainless
Flush Bolts: (SN) Satin Nickel, (PN) Polished Nickel

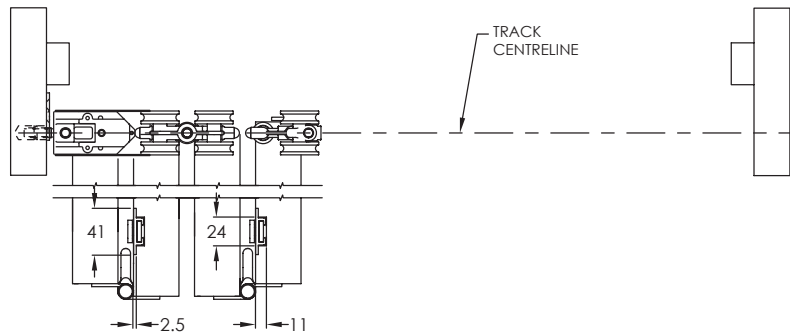




4+0 PANEL OUTWARD OPENING SYSTEM - CLOSED
(SHOWN WITHOUT TRACK, CHANNEL OR HEAD SECTION)



4+0 PANEL OUTWARD OPENING SYSTEM - OPEN
(SHOWN WITHOUT TRACK, SILL OR HEAD SECTION)



4+0 PANEL OUTWARD OPENING SYSTEM - CLOSED
(TYPICAL OUTSIDE ELEVATION)

