

## Application

Widely used in commercial and industrial applications.

To cover any width of opening, any number of panels can be used.

To accommodate different building designs, panels can slide to one or both sides.

Hinged panel for easy access may be incorporated into a sliding system.

Where panels are fitted externally, a canopy is recommended.

## Panel Specification

### Track System: Single Run 350

For Individual Panels:	
Max Panel Height	3300mm
Max Panel Weight	350kg
Min Panel Thickness	35mm

For ease of operation it is recommended that the panel width should not exceed 75% of panel height.

Timber panels for interior use can be of flush construction or glazed. Timber panels for industrial applications should be framed, ledged and braced. Metal panels should be constructed of box section, channel or angle framing, well braced and clad with flat or corrugated sheets.

## Hardware Specification

<b>Track:</b>	350
Material	Aluminium
Finish	Mill or clear anodised
Standard Lengths	2000mm, 3000mm, 4000mm and 6000mm

<b>Brackets:</b>	
Face fitted stainless steel angle	1SS/250
Face fitted double bracket SS	5SS/250
Fit at 400mm maximum centres	

<b>Hangers (2 per panel):</b>		Stainless Option
Timber panels - angle fitting	52HN	52SS/HN
Timber panels - plate fitting	57HN	57SS/HN
Metal panels - angle frame	56HN	56SS/HN
Metal panels - box frame	56HLN	56SS/HLN
Metal panels - plate fitting	57HN	57SS/HN

Hanger supplied with timber screws, fixing plate and nylon tyred precision bearings. Vertical adjustment is simple and positive. Nylon tyre wheel hangers should not be used on installations involving temperatures exceeding 80°C.

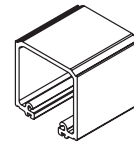
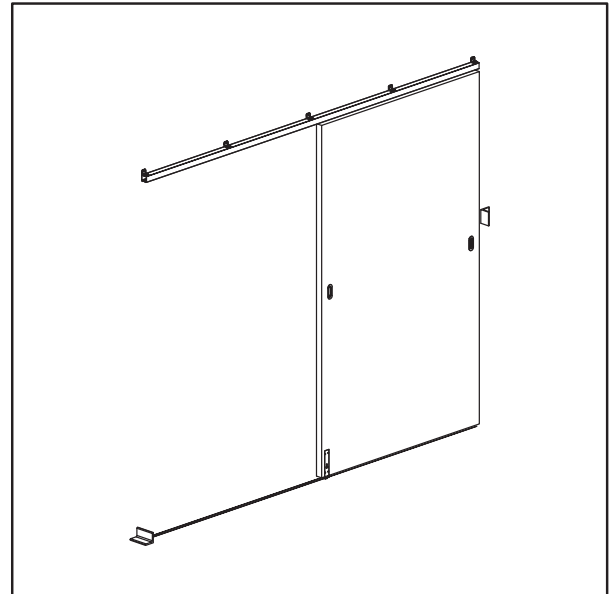
<b>Guides:</b>	
Timber Panels - plate fitting	106RB/94
Multiple panels - bearing	106A/94
Multiple panels - T slot	106AT

<b>Channels:</b>	
Aluminium	94A Mill or clear anodised
Aluminium & Polypropylene	94PPA Mill or clear anodised
Brass	94B
Standard lengths	2000mm, 3000mm, 4000mm and 6000mm

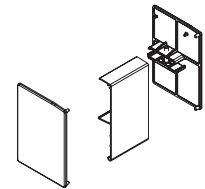
<b>Accessories:</b>	
Door Collector - multiple panels	924-DC
Door Stop	180DS
Flush Pulls	401
Flush Bolts	456

Flush bolts and flush pulls are available in (PVDB) PVD Brass, (SN) Satin Nickel & (PN) Polished Nickel

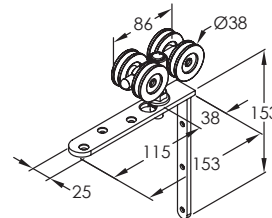
Simultaneous Accessory Kit - 2 door panel	SIM/2
Telescopic Accessory Kit - 2 door panel	TEL/2
Telescopic Accessory Kit - 3 door panel	TEL/3
Fascia & end caps in CA or SPEC	353



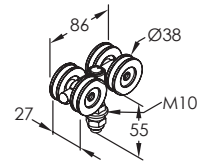
No. 350 TRACK



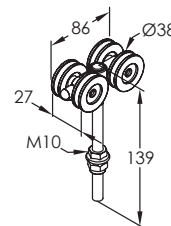
No. 353 FASCIA WITH END CAPS



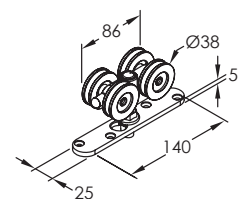
No. 52HN HANGER



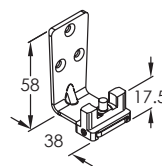
No. 56HN HANGER



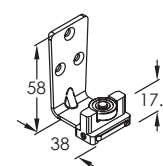
No. 56HLN HANGER



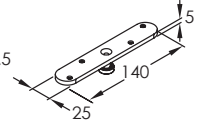
No. 57HN HANGER



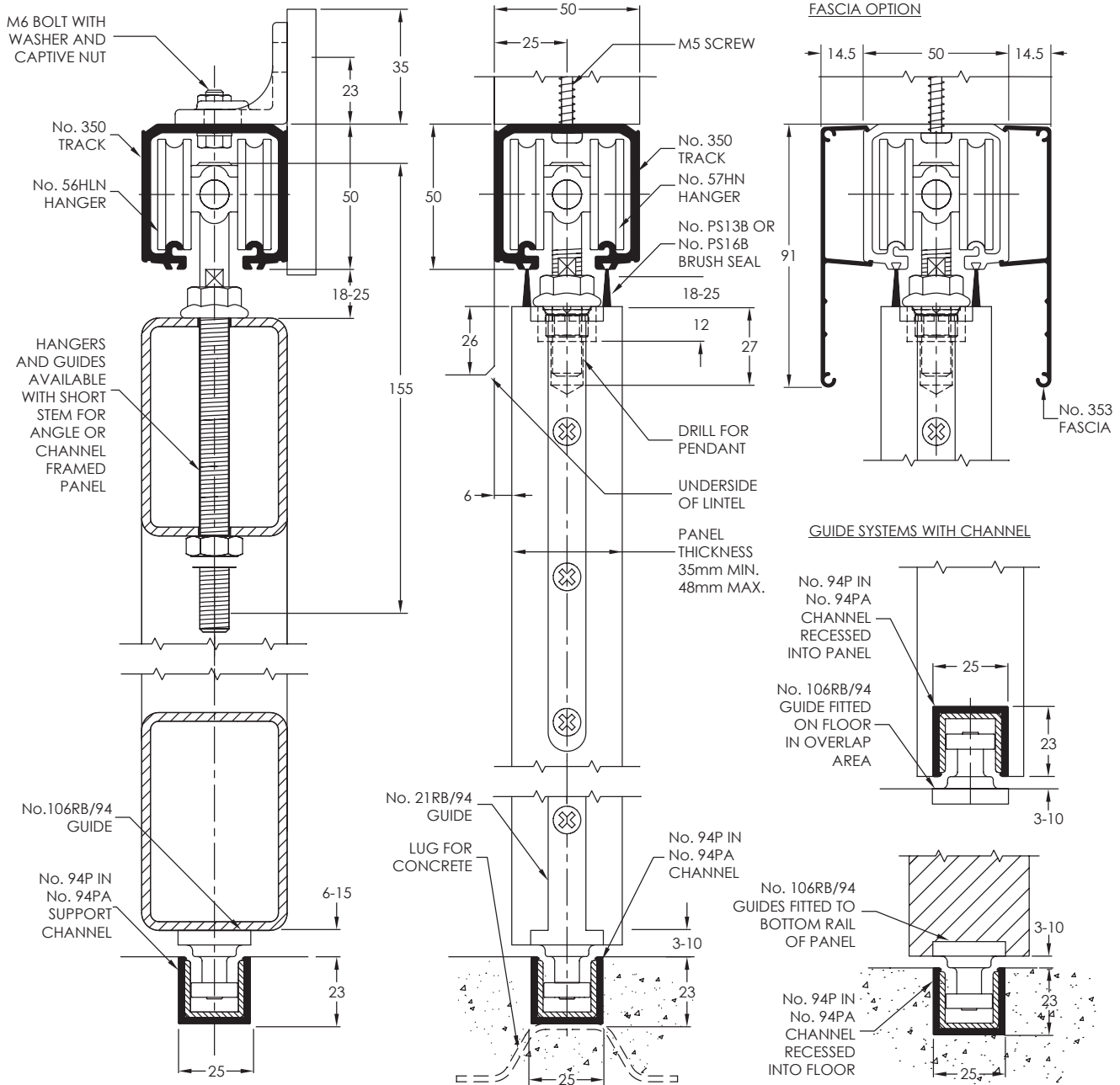
No. 106AT GUIDE



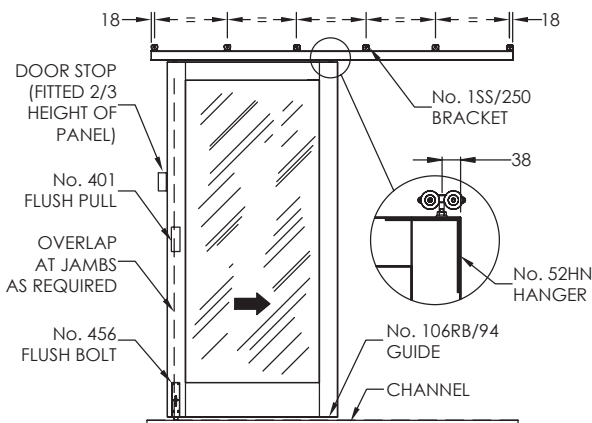
No. 106A/94 GUIDE



No. 106RB/94 GUIDE



**HARDWARE PLACEMENT**  
FRONT VIEW (PANEL SLIDING INSIDE)



**BRACKET PLACEMENT**  
18mm TO CENTRE OF FIRST BRACKET FROM EACH END, THEN A BRACKET APPROXIMATELY EVERY 400mm CENTRES.

STANDARD TRACK LENGTH	2000	3000	4000	6000
No. OF BRACKETS	6	9	11	16

