

Application

Widely used in lighter commercial and industrial applications.

To accommodate different building designs, panels can slide to one or both sides.

Hinged panel for easy access may be incorporated into a sliding system.

Where panels are fitted externally, a canopy is recommended.

Panel Specification

Track System: Single Run Exterior 120

For Individual Panels:	
Max Panel Height	3000mm
Max Panel Weight	120kg
Min Panel Thickness	19mm

For ease of operation it is recommended that the panel width should not exceed 75% of panel height.

Timber panels for interior use can be of flush construction or glazed. Timber panels for industrial applications should be framed, ledged and braced. Metal panels should be constructed of box section, channel or angle framing, well braced and clad with flat or corrugated sheets.

Standard Sets and Packs

Sets comprise of top track, hangers, doors stops, guide, timber screws and instructions.

Hardware Specification

Track:	120A
Material	Aluminium
Finish	Anodised
Standard lengths	2000mm, 3000mm, 4000mm and 6000mm

Brackets:	91
Face fitted stainless steel angle	5SS/120
Double face fitted bracket SS	
Fit at 400mm maximum centres	

Hangers (2 per panel):	
Timber panels - Type 57	
stainless steel bearings	57SS/EN

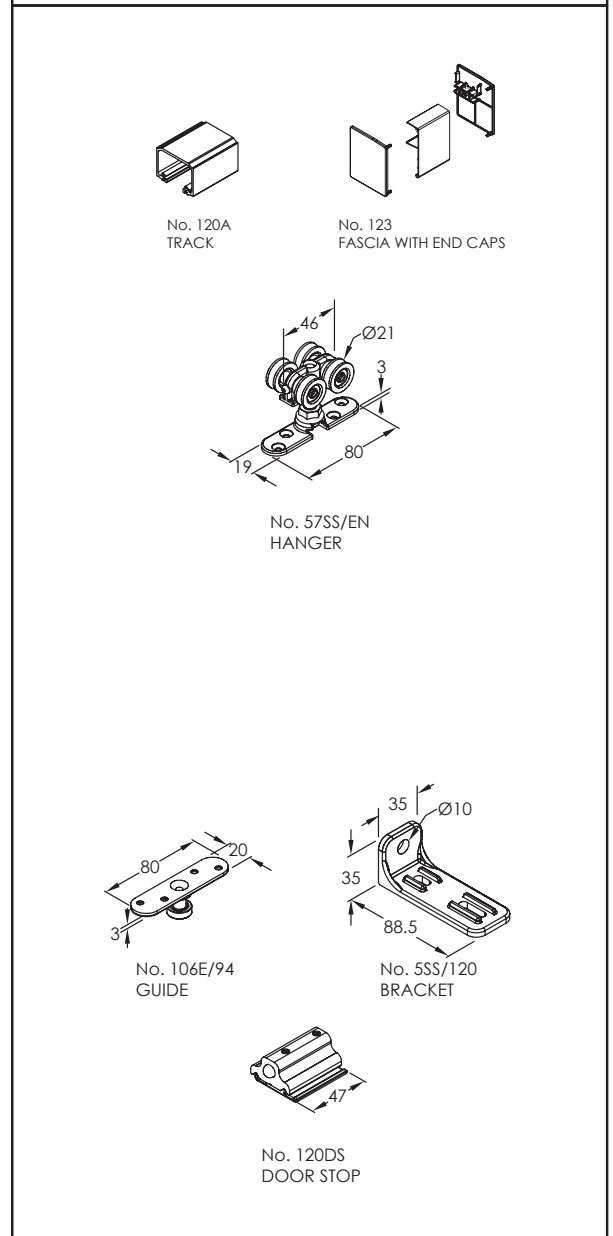
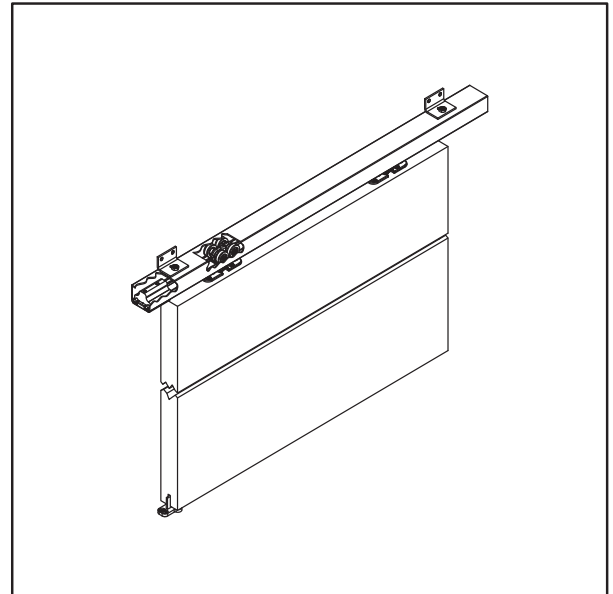
Hangers supplied with fixing plate and stainless steel precision bearings. Vertical adjustment is simple and positive. Nylon tyre wheel hangers should not be used on installations involving temperatures exceeding 80°C.

Guides:	
Timber panels - SS plate (94 channels)	106E/94
Timber panels - SS plate (96W channel)	106SSMF

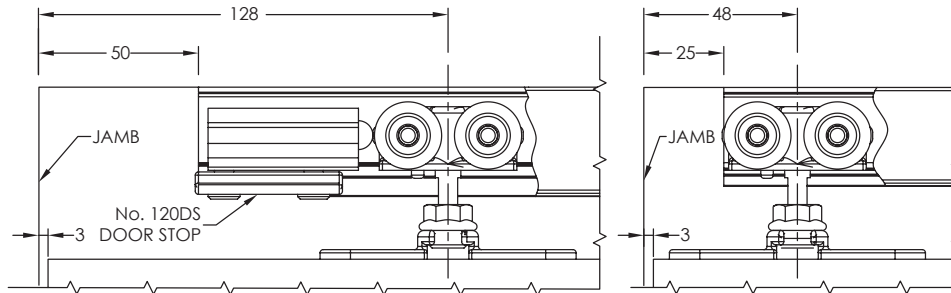
Channels:	
Aluminium & Polypropylene	94PPA Mill or clear anodised
Aluminium	94A Mill or clear anodised 96W Clear anodised

Standard lengths 2000mm, 3000mm, 4000mm and 6000mm

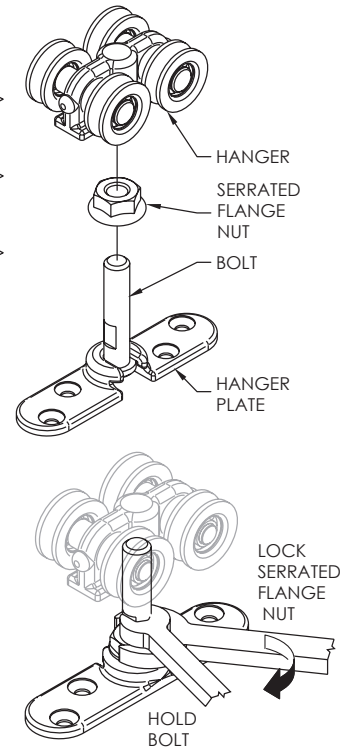
Accessories:	
Door Collector - multiple panels	924-DC
Door Stop	120DS
Flush Pulls	401
Flush Bolts	456



TRACK FIXING CENTRES
20mm FROM EACH END, 400mm MAXIMUM



HANGER ASSEMBLY



PANEL PREPARATION

No. 57EN HANGER

