

Application

Suitable for interior sliding timber panels for cupboards, wardrobes, built-in furniture and applications where a quiet, smooth action is required.

Any opening width may be accommodated and panels can slide on single or multiple lines of rail.

Panel Specification

Rail System:	Timberoll 25
For Individual Panels:	
Max Panel Weight	25kg
Max Panel Width	900mm
Min Panel Thickness	16mm

Suitable for use with timber framed panels of flush, panelled, glazed or medium density fibreboard (MDF). Bottom rail of panel must have provision to accommodate rollers.

Standard Sets

Standard sets are available for bi-passing or bi-parting panels. Sets comprise of two top guide channels, two bottom rails, four top guides, four bottom rollers, all timber screws and installation instructions.

Set No.	Opening width
TR25-12/2	1200mm for 2 panels
TR25-15/2	1500mm for 2 panels
TR25-18/2	1800mm for 2 panels

Hardware Specification

Top Guide Channel:	81
Material	Aluminium
Finish	Clear anodised
Standard length	1200mm, 1500mm, 1800mm, 2400mm and 3600mm

Top Guide: 113N/81

The top guides are made from nylon and are designed to fit into the top ends of each panel and to slide in the 81 channel. Supplied in pairs.

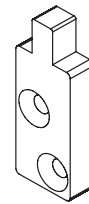
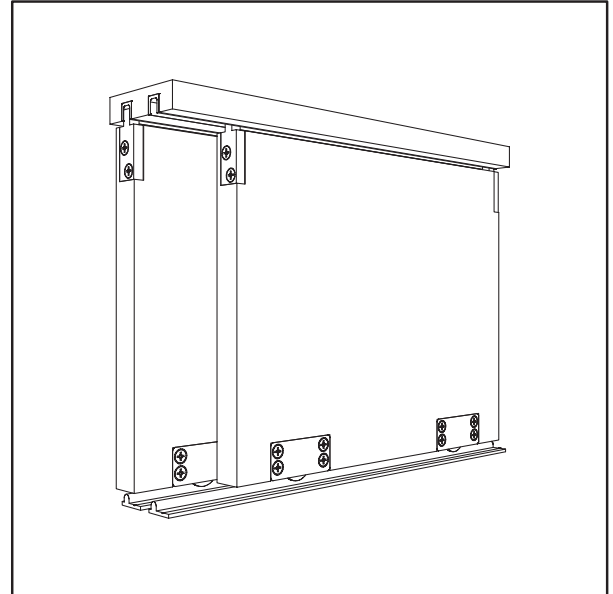
Bottom Roller: 85N

The bottom roller is designed to be recessed in or surface mounted. Roller uses 304 stainless steel cast plate with nylon tyred precision bearing. Supplied in pairs.

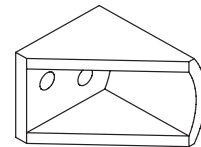
Bottom Rail:	914A
Material	Aluminium
Finish	Clear anodised
Standard Lengths	2000mm, 3000mm, 4000mm and 6000mm

Accessories:
Door Stop 28N

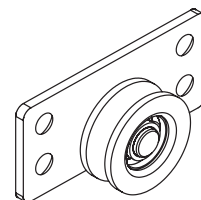
The door stop is made of nylon. On bi-passing panels one is fitted on the back face of the front panel.



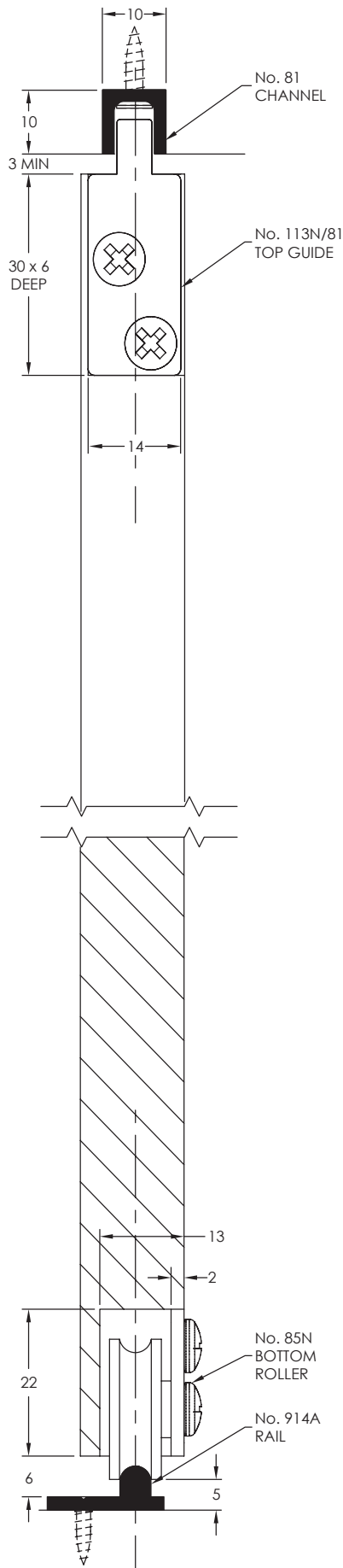
No. 113N/81
TOP GUIDE -
SUPPLIED IN SETS



No. 28N
DOOR STOP -
OPTIONAL

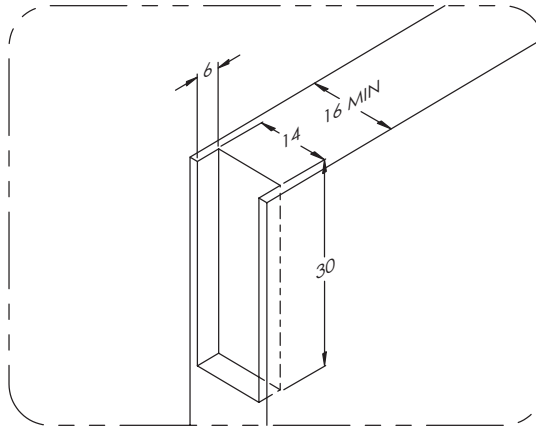


No. 85N
BOTTOM ROLLER

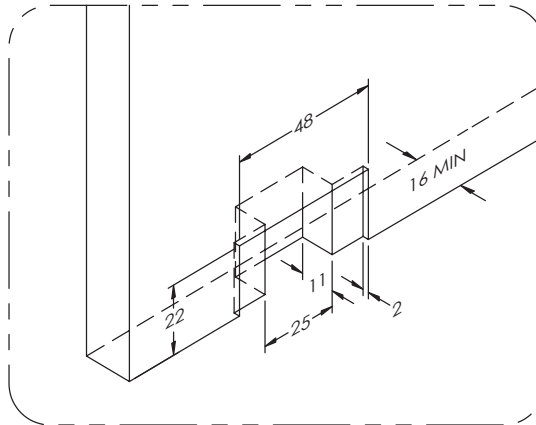
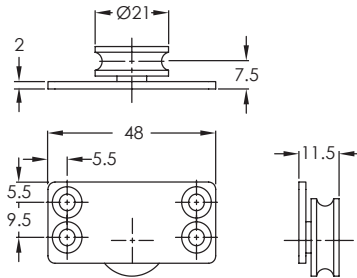


PANEL PREPARATION

No. 113N/81 TOP GUIDE



No. 85N BOTTOM ROLLER
MORTISE INTO BOTTOM RAIL ONLY AS FAR APART AS POSSIBLE



FINGER PULL AND DOOR STOP

