

Application

Suitable for residential screening of folding windows and doors.

Aluminium frame is available in three standard powder coat colours: black, silver and white. Custom colours are also available upon request.

Assembled with high grade materials to ensure quality is maintained. UV stable pleated mesh and high strength, braided tensioning cords allow the screen to operate smoothly.

Opening Specification

Screen System:	612 Folding Frame
For Individual Screens:	
Max Opening Height	3200mm
Min Opening Height	600mm
Max Opening Width	4500mm
Min Opening Width	900mm

Openings can use two screens in total, one screen in each direction providing a total span of 9000mm wide. Aluminium lengths are supplied in kits, for more information see Data Sheets G30.

Screen heights can be cut down by 200mm to accommodate exact sizes.

Corner applications are also possible.

Hardware Specification

Screen: RSDLXX-XX***
For RSDL sizing codes, see Data Sheet G30.

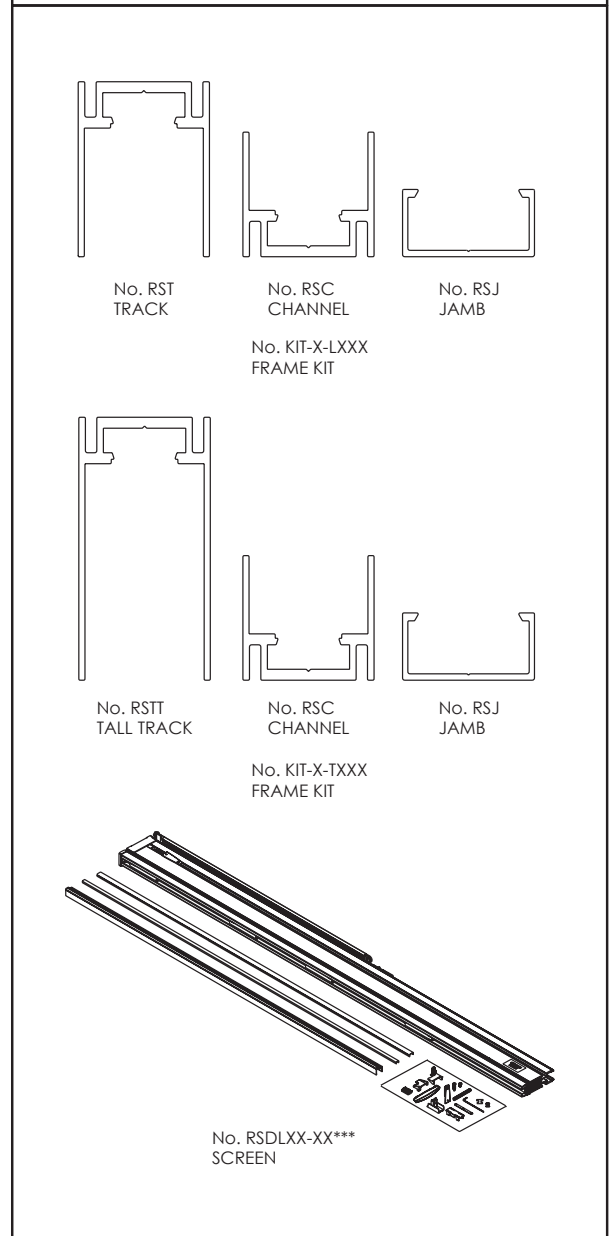
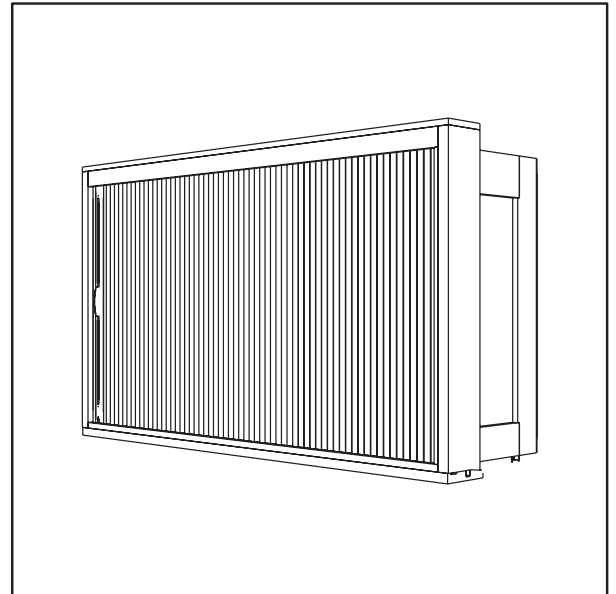
Channel: RSC
Powder coated aluminium channel.

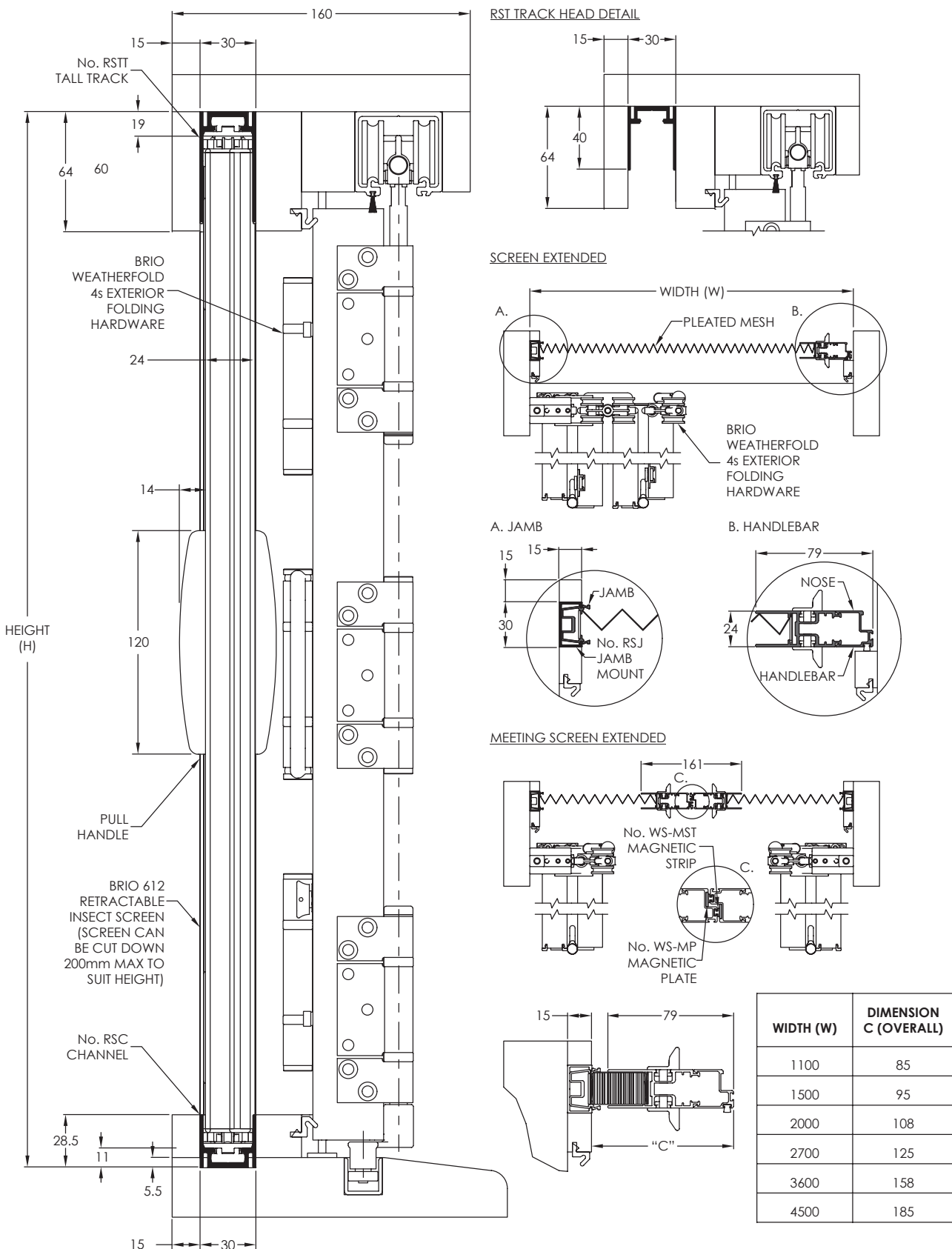
Track: RST
Track used in low head kits KIT-X-LXXX
Powder coated aluminium track, used in low head kits KIT-X-LXXX
Tall track RSTT
Powder coated aluminium track, used in tall head kits KIT-X-TXXX

Jamb Mount: RSJ
Powder coated aluminium jamb mount.

Pocket Application: KIT-PK
Mounting bracket and handle for installing into a cavity.

*** Powder Coat colour options
PBK-Black
PWT-White
PGY-Grey





Application

Suitable for residential screening of sliding windows and doors.

Aluminium frame is available in three standard powder coat colours: black, silver and white. Custom colours are also available upon request.

Assembled with high grade materials to ensure quality is maintained. UV stable pleated mesh and high strength, braided tensioning cords allow the screen to operate smoothly.

Opening Specification

Screen System:	612 Sliding Frame
For Individual Screens:	
Max Opening Height	3200mm
Min Opening Height	600mm
Max Opening Width	4500mm
Min Opening Width	900mm

Openings can use two screens in total, one screen in each direction providing a total span of 9000mm wide. Aluminium lengths are supplied in kits, for more information see Data Sheets G30.

Screen heights can be cut down by 200mm to accommodate exact sizes.

Corner applications are also possible.

Hardware Specification

Screen: RSDLXX-XX***

For RSDL sizing codes, see Data Sheet G30.

Channel: RSC

Powder coated aluminium channel.

Track:

Track RST

Powder coated aluminium track, used in low head kits KIT-X-LXXX

Tall track RSTT

Powder coated aluminium track, used in tall head kits KIT-X-TXXX

Jamb Mount: RSJ

Powder coated aluminium jamb mount.

Pocket Application: KIT-PK

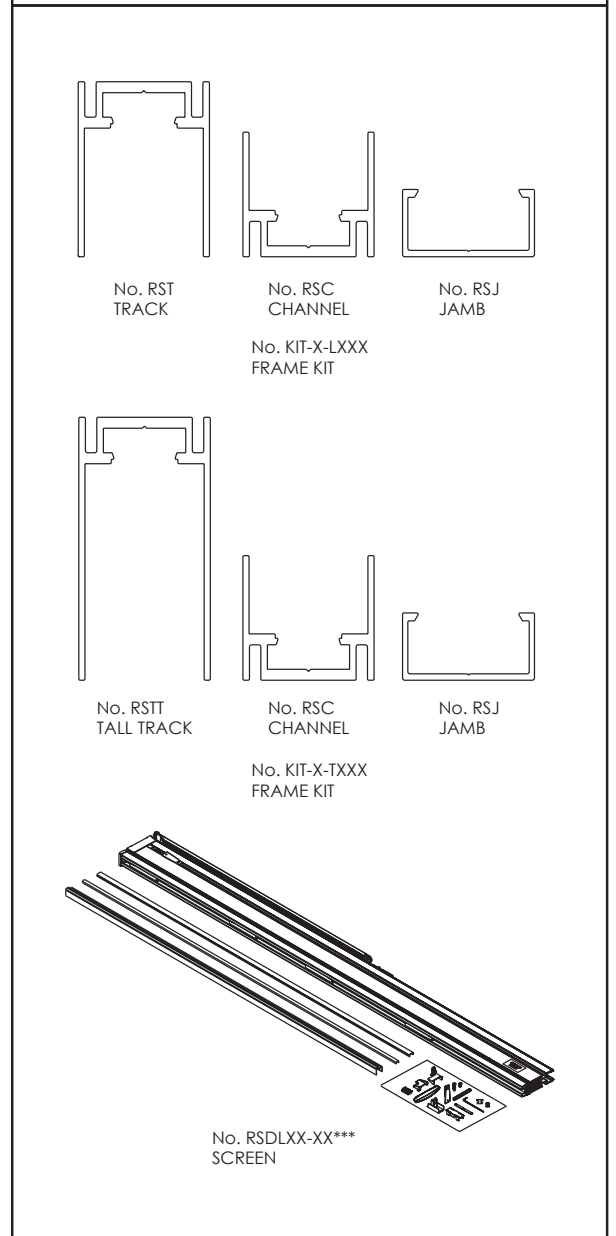
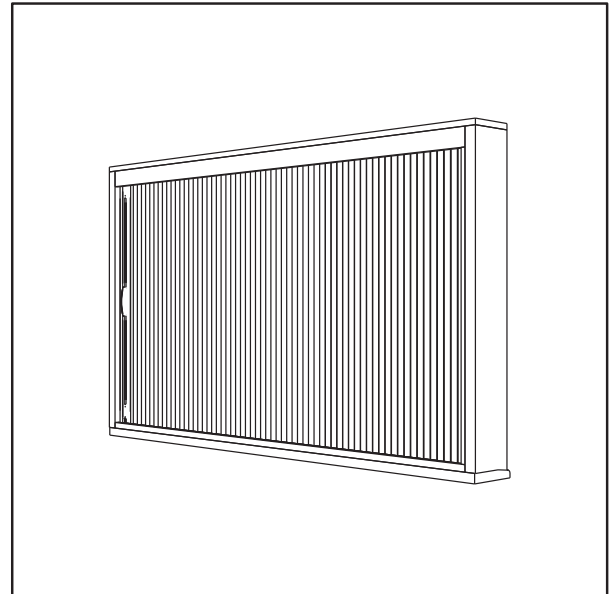
Mounting bracket and handle for installing into a cavity.

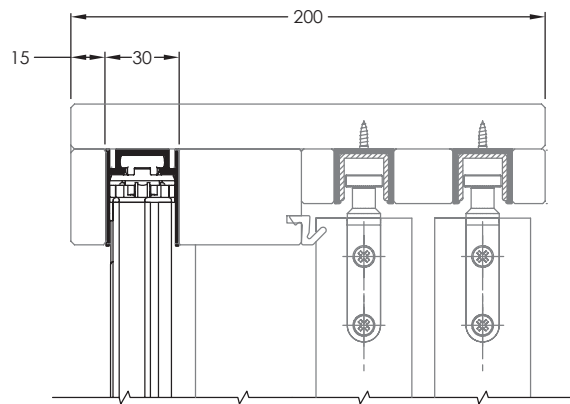
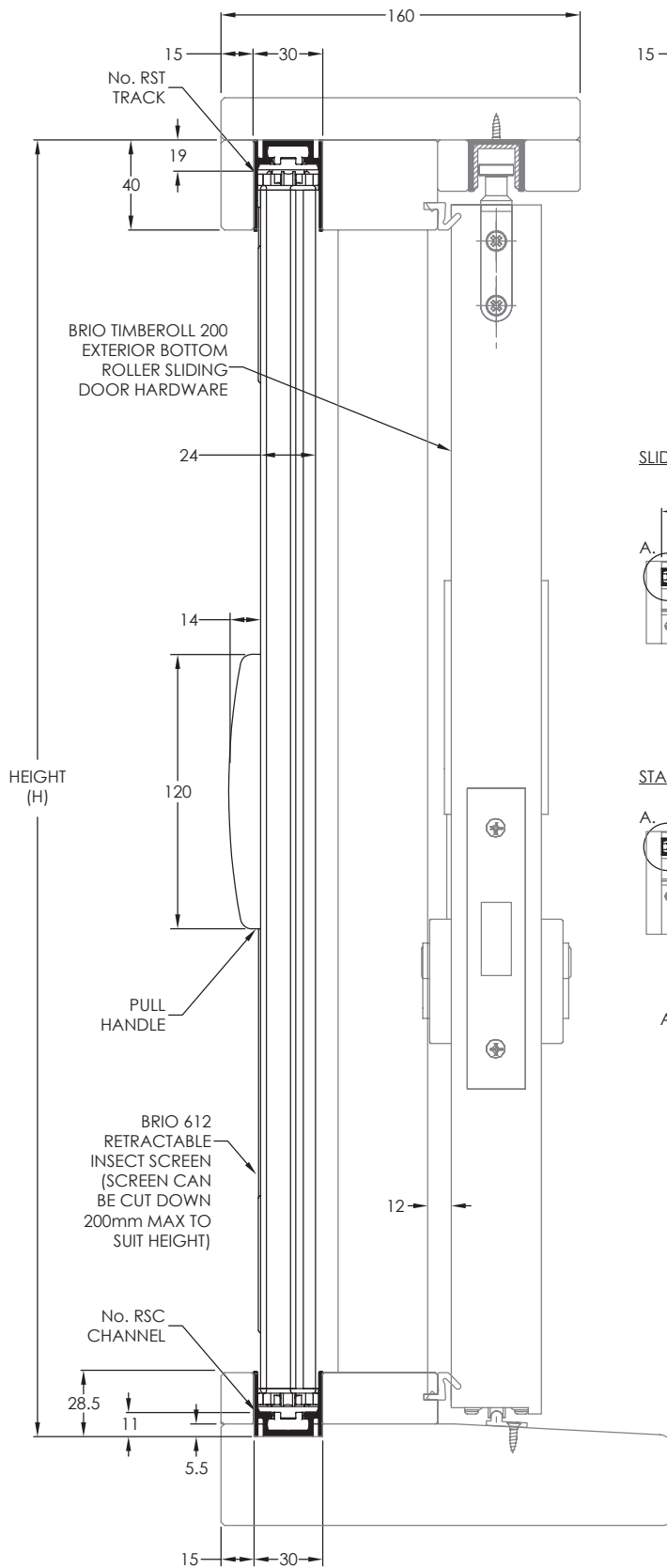
*** Powder Coat colour options

PBK-Black

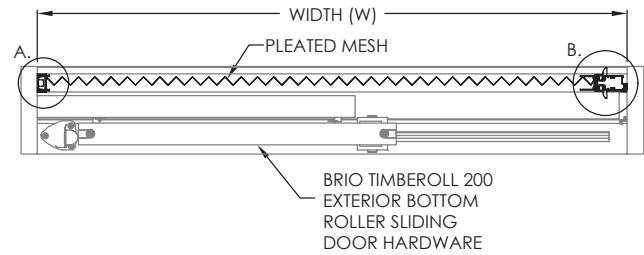
PWT-White

PGY-Grey

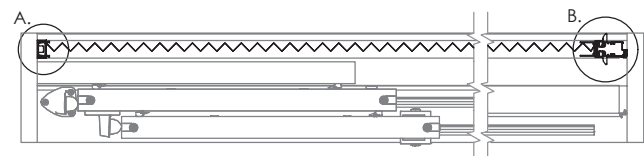




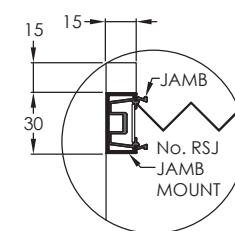
SLIDING DOOR - SCREEN EXTENDED



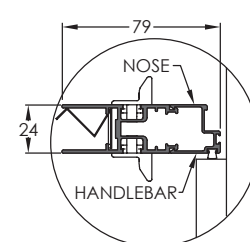
STACKING DOOR - SCREEN EXTENDED



A. JAMB



B. HANDLEBAR



Application

Suitable for residential screening of folding or sliding windows and doors with suitable outer frame for installation.

Aluminium frame is available in three standard powder coat colours: black, silver and white. Custom colours are also available upon request.

Assembled with high grade materials to ensure quality is maintained. UV stable pleated mesh and high strength, braided tensioning cords allow the screen to operate smoothly.

Opening Specification

Screen System:	612 Retrofit Frame
For Individual Screens:	
Max Opening Height	3200mm
Min Opening Height	600mm
Max Opening Width	4500mm
Min Opening Width	900mm

Openings can use two screens in total, one screen in each direction providing a total span of 9000mm wide. Aluminium lengths are supplied in kits, for more information see Data Sheets G30.

Screen heights can be cut down by 200mm to accommodate exact sizes.

Hardware Specification

Screen: RSDLXX-XX***

For RSDL sizing codes, see Data Sheet G30.

Channel: RSCE

Powder coated aluminium channel with reinforced wall thickness.

Track:

Tall rack RSTTE

Powder coated aluminium track with face fix screw point. Fixings not included.

Jamb Mount: RSJE

Powder coated aluminium jamb mount with face fix screw point. Fixings not included.

Jamb Rebate: RSRE

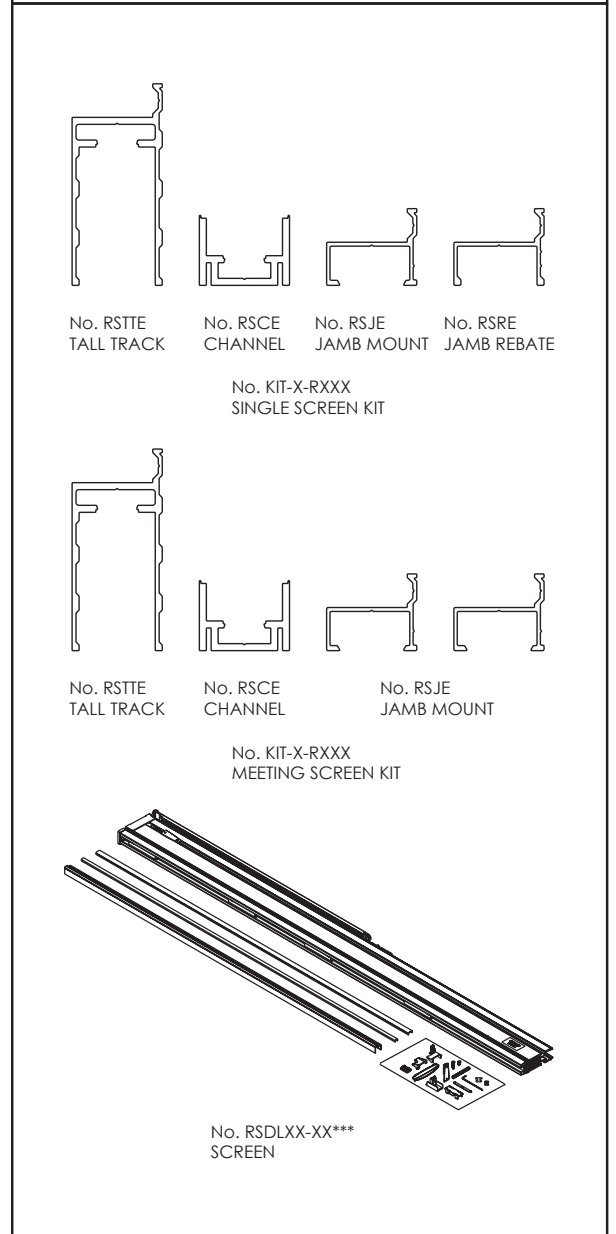
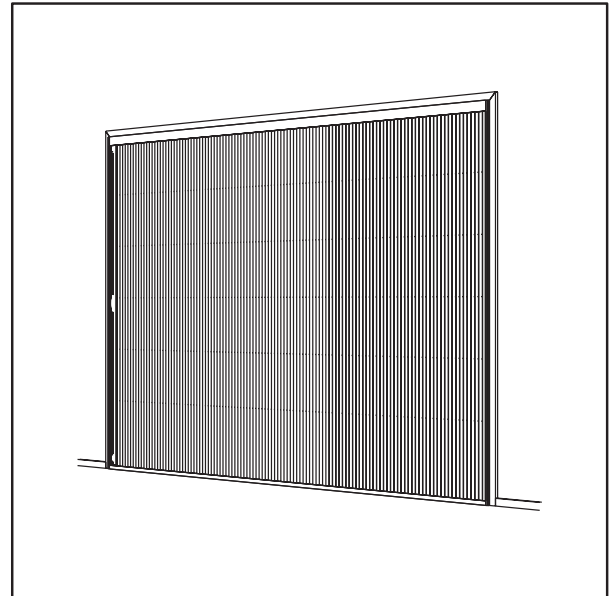
Powder coated aluminium jamb rebate with face fix screw point. Fixings retrofitted. Jamb rebates not included in meeting retrofit kits.

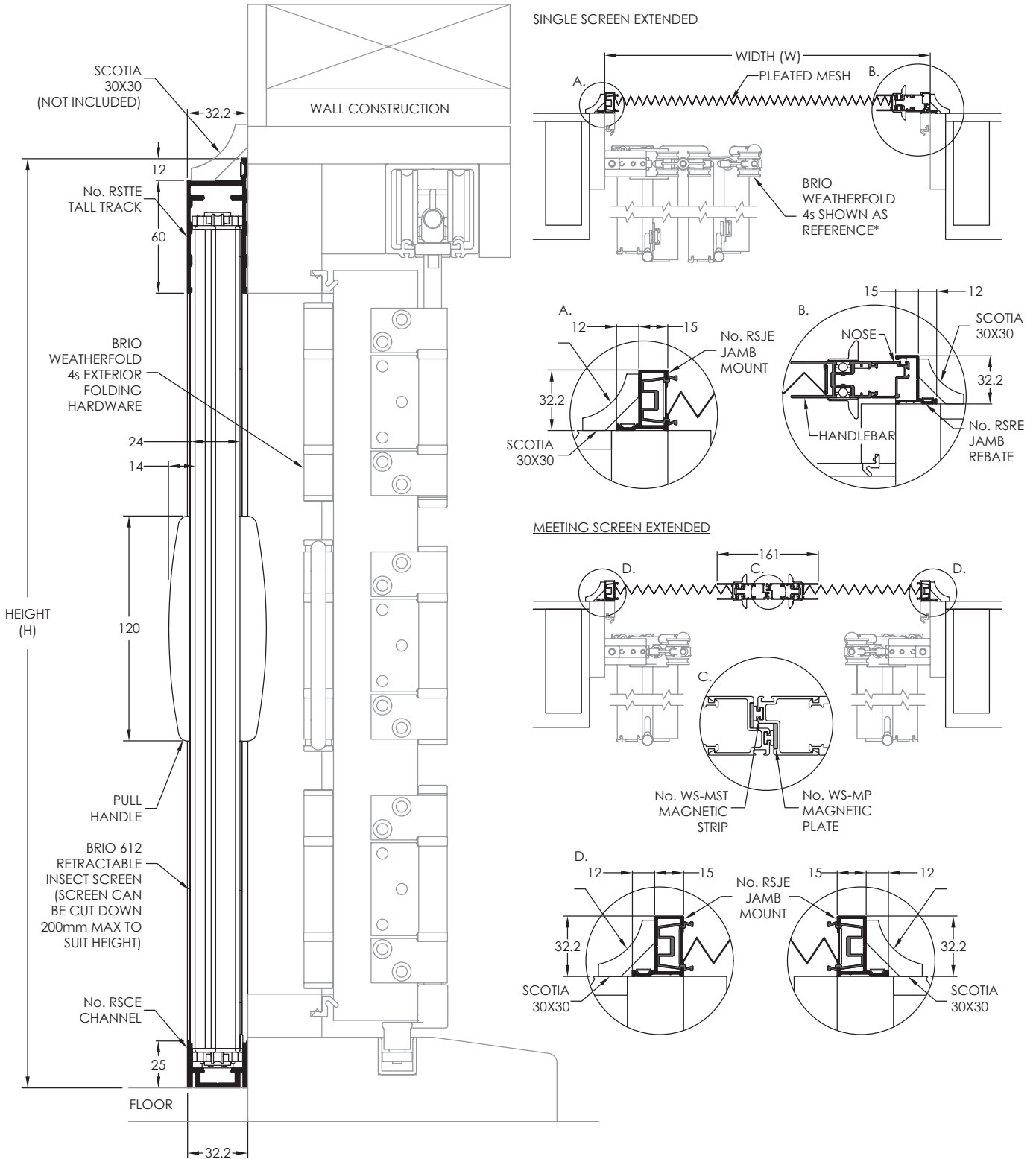
*** Powder Coat colour options

PBK-Black

PWT-White

PGY-Grey





*RETRO FIT SYSTEMS ARE SUITABLE TO ALL PRE-EXISTING FOLDING OR SLIDING DOOR SYSTEMS WITH SUITABLE OUTER FRAME