

Application

Suitable for residential wardrobes and folding partitions, using equal sized panels. Panels can be either end folding or centre folding.

Panel Specification

Track System:	Multifold 30
For Individual Panels:	
Max Panel Height	2400mm
Max Panel Weight	30kg
Max Panel Width	650mm
Min Panel Thickness	19mm

The folding unit is not hinged to a jamb, but is pivoted in the track and on the adjustable jamb bracket. A guide system across the floor must be used on units of three panels or more.

End folding units of two, four or six panels can be pivoted to each side of the opening. Centre folding units of one, three or five full width panels and one "half" width panel can be pivoted to each side of the opening.

Instructions on panel width calculation is shown overleaf. Panels should be constructed to provide secure fitting for the pivots, hangers, hinges and guides and can be either flush, panelled or of louvre construction.

Standard Sets and Packs

Sets comprise of top track, top pivot, bottom pivot, wall bracket, hanger, bumper, spanner, 3 x hinges, all screws and fitting instructions.

Set No.	Panel Width	Track Length	Hardware for
MF30-13/2	650mm	1300mm	2 panels

Pack No.	Description
MF30-2PK	2 panel pack of fittings only, without track
MF30-4PK	4 panel pack of fittings only, without track
MF30-6PK	6 panel pack of fittings only, without track
MF30-APK	Add-on 2 panel pack of fittings only, without track

For any folding units, select one basic pack and sufficient MF30-APK add-on fitting packs and a suitable length of 60 track (see below) to cover width of opening.

Hardware Specification

Track:	60A
Material	Aluminium, Mill
Standard Lengths	2000mm, 3000mm, 4000mm & 6000mm

Bumper:	60DS
	Rubber and zinc dichromated steel

Top Pivot Assembly:	818
	Nylon and zinc dichromated steel

Bottom Pivot:	802
	Zinc dichromated steel and nylon

Floor Bracket:	805
	Zinc dichromated steel and nylon, adjustable

Wall Bracket:	806
	Zinc dichromated steel and nylon, adjustable

Hanger:	607
	Zinc dichromated steel and nylon hanger with four nylon tyred ball race bearing wheels

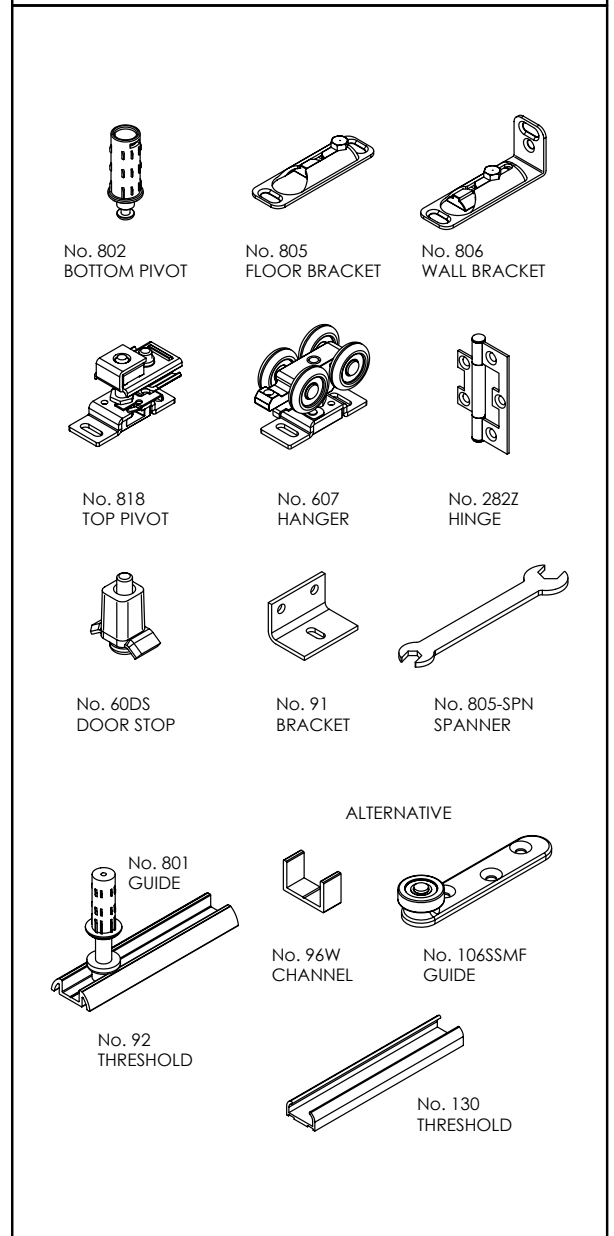
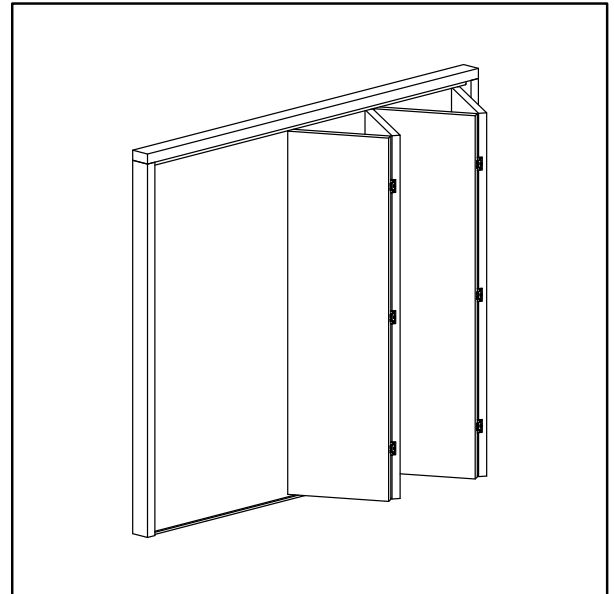
Hinge:	282Z
	Zinc plated for 19mm minimum panel thickness, 65mm tall, non-mortice

Spanner:	805-SPN
	Zinc dichromate steel

Bracket:	91
	Stainless steel, supplied with fasteners. Pack of 5, reference 91/5.

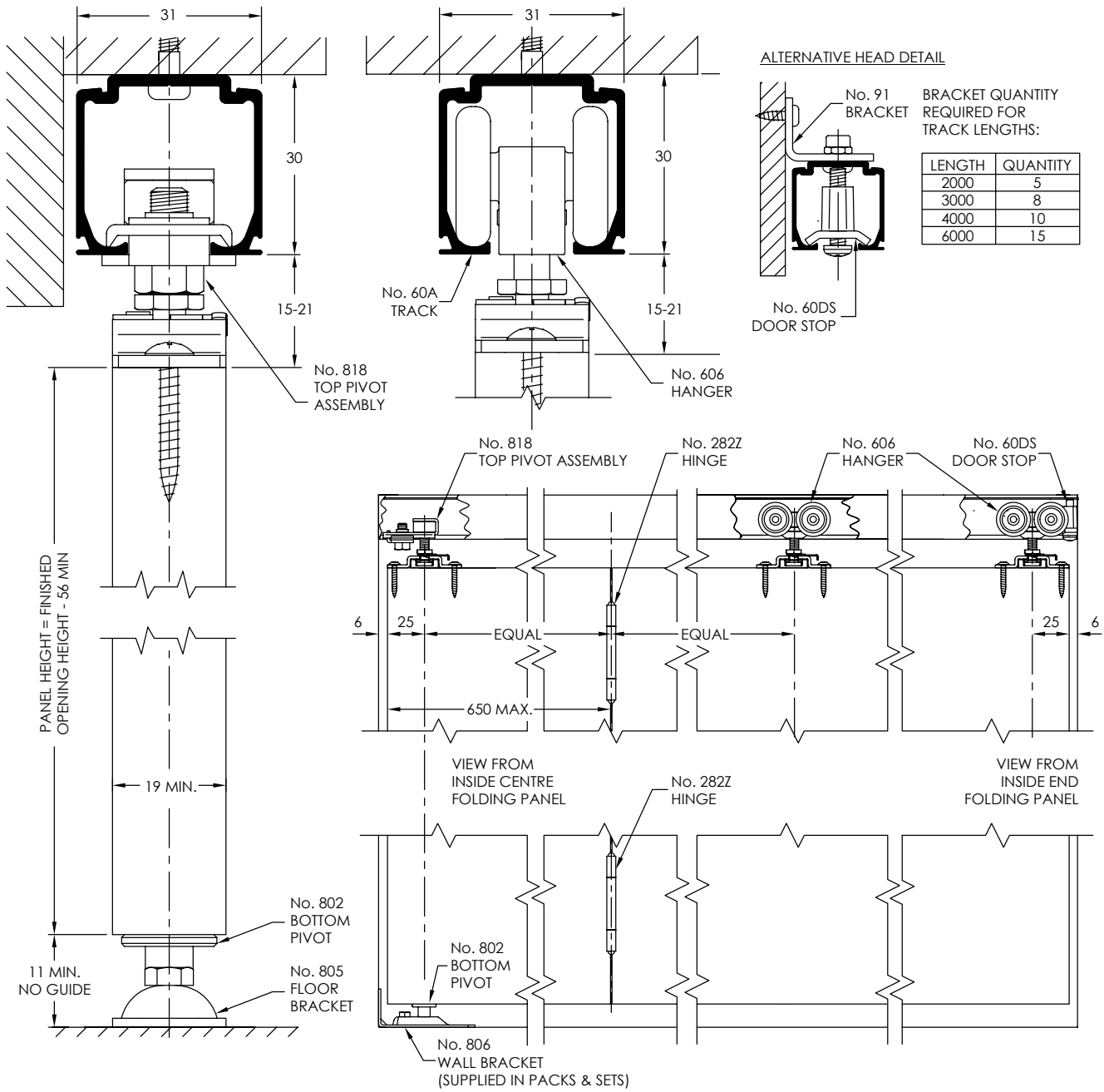
Guides:	
Spring loaded (92 or 130 channel)	801
SS plate (96W channel)	106SSMF

Channels:	
Aluminium	92 Clear anodised 130 Mill 96W Clear anodised

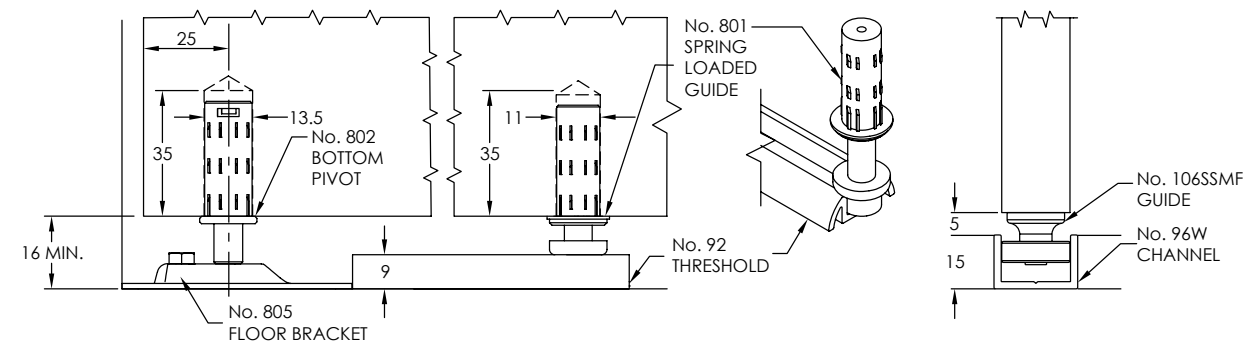


Multifold 30

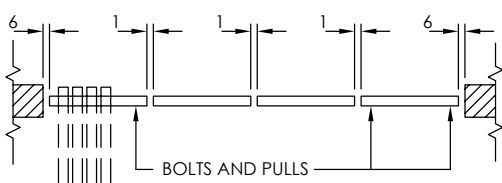
For Top Hung Interior Folding Partitions. Max 30kg Each



ALTERNATIVE BOTTOM GUIDE & PIVOT SYSTEMS



4 PANEL UNIT END FOLDING



5 1/2 PANEL UNIT CENTRE FOLDING

