

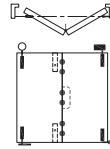
This Guide to Quantities is only applicable to Data Sheets D200.

Specification for Individual Panels

| | |
|----------------------|---------------------|
| Track System | Interfold 35 |
| Max Panel Height | 2600mm |
| Max Panel Weight | 35kg |
| Max Panel Width | 1000mm |
| Min Panel Thickness | 35mm |
| Max Number of Panels | 6 each direction |

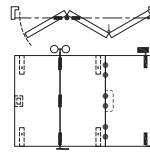
2 Panel Unit

| | Quantities | Product Codes |
|-------------------|------------|--------------------|
| Track | 1 | 120A-A20 |
| Pivot Set | 1 | BWS1F-35H |
| Hinge Handle Set | 1 | BW3-35H |
| End Hanger Set | 1 | BWS2 (L or R)-35CH |
| Guide | 1 | 96W-A20 |
| Flush Bolt Top | 1 | 360 |
| Flush Bolt Bottom | 1 | 360E |



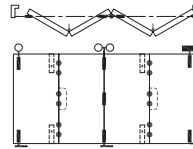
3 Panel Unit

| | Quantities | Product Codes |
|-------------------------|------------|---------------|
| Track | 1 | 120A-A30 |
| Pivot Set | 1 | BWS1F-35H |
| Offset Hinge Handle Set | 1 | BW7-35H |
| Intermediate Hanger Set | 1 | BWS4-35CH |
| Guide | 1 | 96W-A30 |
| Flush Pull | 1 | 401 |
| Flush Bolt Top | 2 | 360 |
| Flush Bolt Bottom | 2 | 360E |



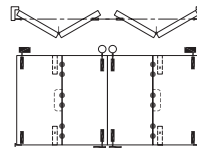
4 Panel Unit

| | Quantities | Product Codes |
|-------------------------|------------|--------------------|
| Track | 1 | 120A-A40 |
| Pivot Set | 1 | BWS1F-35H |
| Offset Hinge Handle Set | 2 | BW7-35H |
| Intermediate Hanger Set | 1 | BWS4-35CH |
| End Hanger Set | 1 | BWS2 (L or R)-35CH |
| Guide | 1 | 96W-A40 |
| Flush Bolt Top | 2 | 360 |
| Flush Bolt Bottom | 2 | 360E |



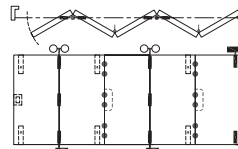
2+2 Panel Unit

| | Quantities | Product Codes |
|-------------------|------------|---------------|
| Track | 1 | 120A-A40 |
| Pivot Set | 2 | BWS1F-35H |
| Hinge Handle Set | 2 | BW3-35H |
| End Hanger Set | 1 | BWS2L-35CM |
| End Hanger Set | 1 | BWS2R-35CM |
| Guide | 1 | 96W-A40 |
| Flush Bolt Top | 2 | 360 |
| Flush Bolt Bottom | 2 | 360E |



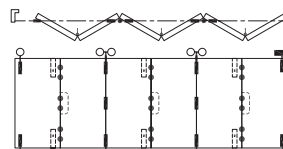
5 Panel Unit

| | Quantities | Product Codes |
|-------------------------|------------|---------------|
| Track | 1 | 120A-A60 |
| Pivot Set | 1 | BWS1F-35H |
| Hinge Handle Set | 1 | BW3-35H |
| Offset Hinge Handle Set | 1 | BW7-35H |
| Intermediate Hanger Set | 2 | BWS4-35CH |
| Guide | 1 | 96W-A60 |
| Flush Pull | 1 | 401 |
| Flush Bolt Top | 3 | 360 |
| Flush Bolt Bottom | 3 | 360E |



6 Panel Unit

| | Quantities | Product Codes |
|-------------------------|------------|--------------------|
| Track | 1 | 20A-A60 |
| Pivot Set | 1 | BWS1F-35H |
| Hinge Handle Set | 1 | BW3-35H |
| Offset Hinge Handle Set | 2 | BW7-35H |
| Intermediate Hanger Set | 2 | BWS4-35CH |
| End Hanger Set | 1 | BWS2 (L or R)-35CH |
| Guide | 1 | 96W-A60 |
| Flush Bolt Top | 3 | 360 |
| Flush Bolt Bottom | 3 | 360E |





Application

For residential and commercial interior folding panels that close against rebate.

Interfold 35 hardware is suitable for timber systems, with all panels of equal width.

Specifically designed for applications where sound and light proofing is required.

Interfold 35 hangers are cast 316 marine grade stainless steel with precision chrome bearings and nylon outer tyres.

Panel Specification

| Track System: | Interfold 35 |
|---------------------|--------------|
| Max Panel Height | 2600mm |
| Max Panel Weight | 35kg |
| Max Panel Width | 1000mm |
| Min Panel Thickness | 35mm |

Units of up to six panels can be pivoted to each side of the opening. Units with an odd number of panels provide an access panel.

Panels should be constructed to provide secure fitting for the pivot, hanger and hinge sets. Sets include timber screws.

| Track: | 120A |
|------------------|-----------------------------------|
| Material | Aluminium |
| Finish | Anodised |
| Standard Lengths | 2000mm, 3000mm, 4000mm and 6000mm |

| Bottom Guide Channel: | 96W |
|-----------------------|-----------------------------------|
| Recessed Channel | |
| Material | Aluminium |
| Finish | Clear Anodised |
| Standard Lengths | 2000mm, 3000mm, 4000mm and 6000mm |

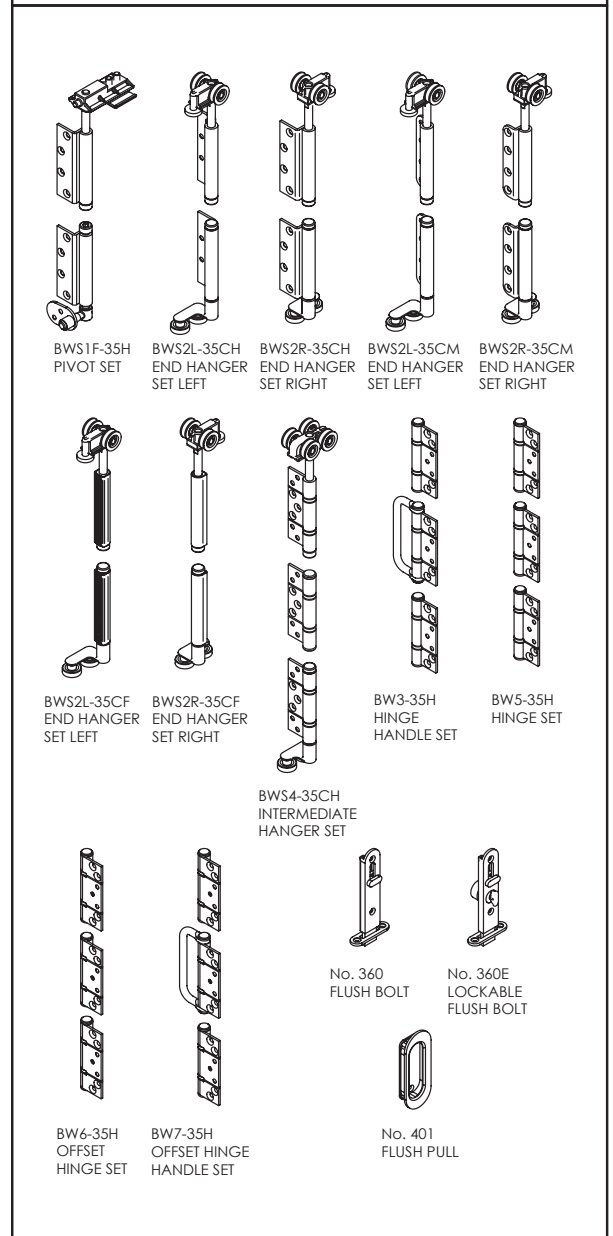
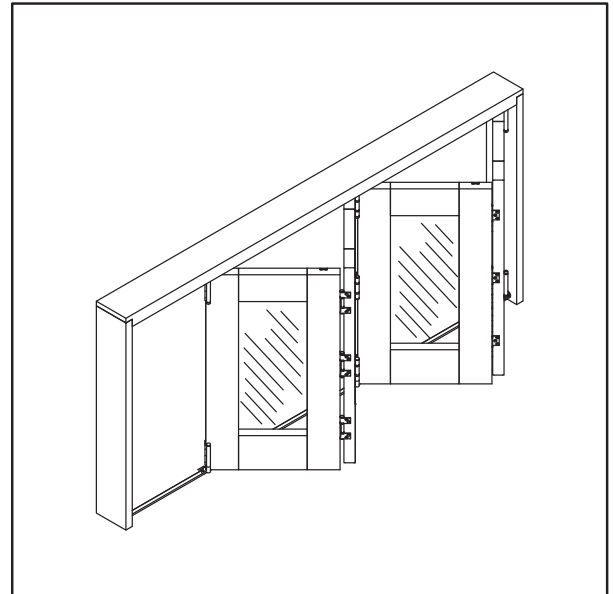
| Hanger Sets: | |
|--------------------------------|--------------------|
| End Hanger - Non mortice hinge | BWS2 (L or R)-35CH |
| End Hanger - Mortice hinge | BWS2 (L or R)-35CM |
| Intermediate Hanger Set | BWS4-35CH |

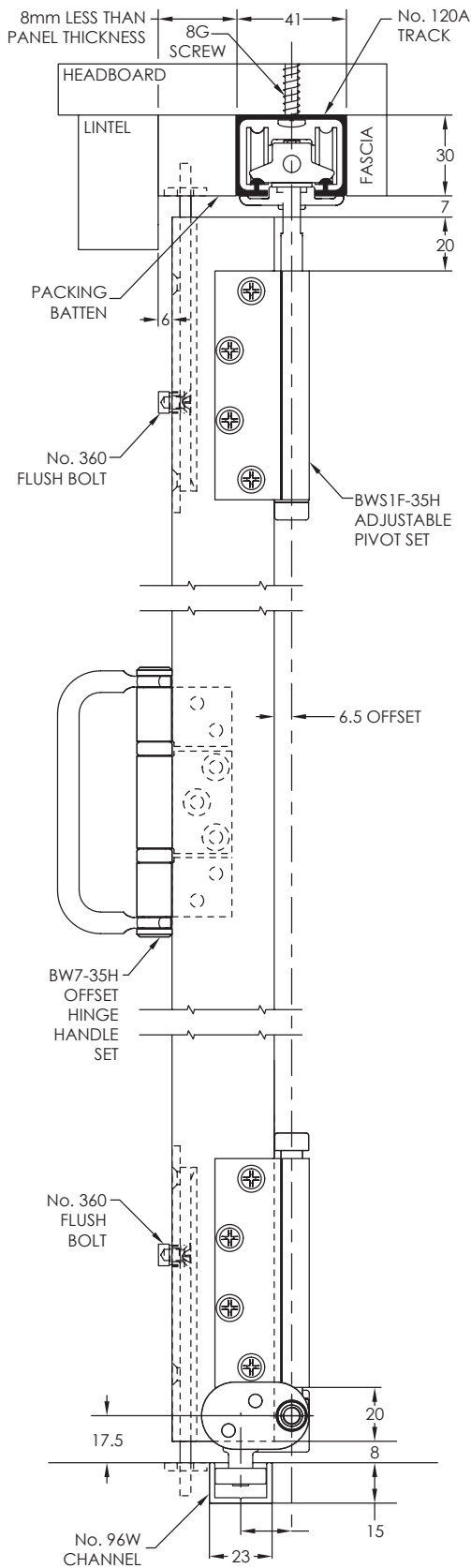
| Pivot Set: | |
|-----------------------|-----------|
| Top and Bottom Pivots | BWS1F-35H |

| Hinge Sets: | |
|-------------------------|---------|
| Hinge Handle Set | BW3-35H |
| Offset Hinge Handle Set | BW7-35H |
| Hinge Set | BW5-35H |
| Offset Hinge Set | BW6-35H |

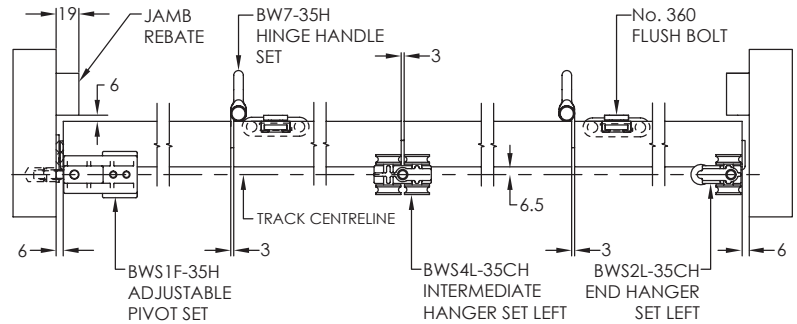
| Accessories: | |
|---------------------|------|
| Flush Pull | 401 |
| Flush Bolt Standard | 360 |
| Flush Bolt Lockable | 360E |
| Flush Bolt Long | 360L |

Finish options
 Hardware: (SS) Satin Stainless, (PS) Polished Stainless
 Flush Bolts: (SN) Satin Nickel, (PN) Polished Nickel

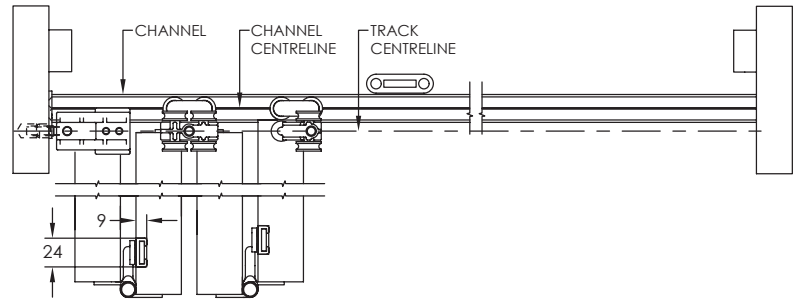




4+0 PANEL OUTWARD OPENING SYSTEM - CLOSED
(SHOWN WITHOUT TRACK, CHANNEL OR HEAD SECTION)



4+0 PANEL OUTWARD OPENING SYSTEM - OPEN
(SHOWN WITHOUT TRACK, SILL OR HEAD SECTION)



4+0 PANEL OUTWARD OPENING SYSTEM - CLOSED
(TYPICAL OUTSIDE ELEVATION)

