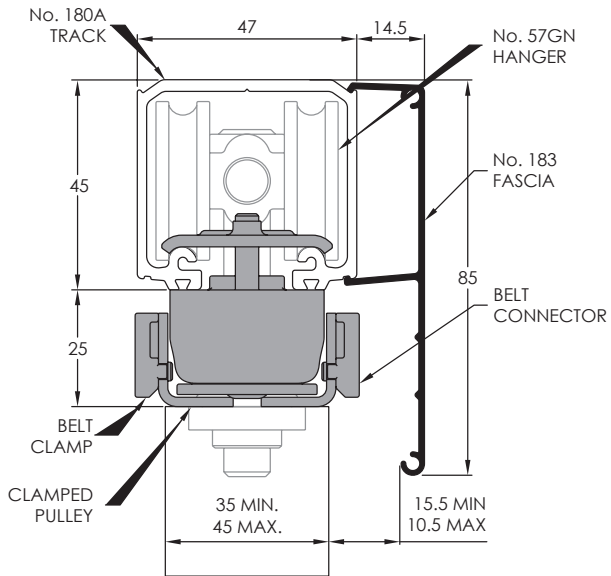
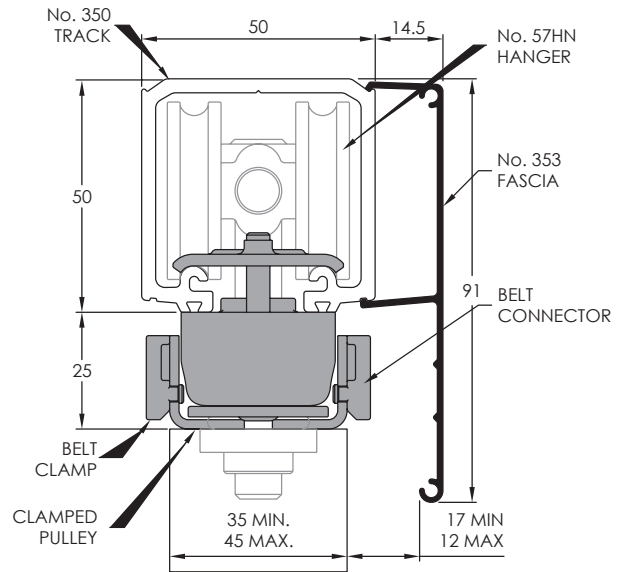


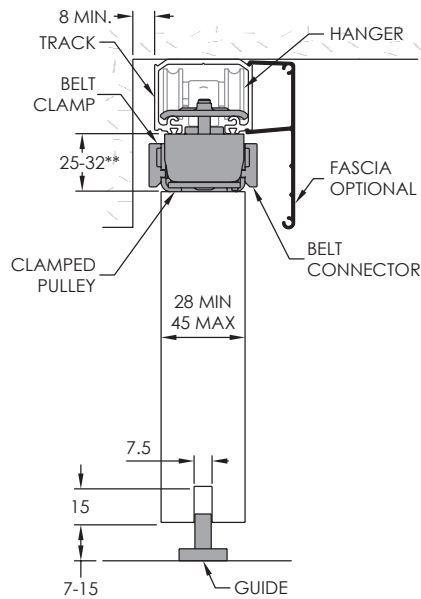
SIMULTANEOUS KIT
SINGLE RUN 180



SIMULTANEOUS KIT
SINGLE RUN 350

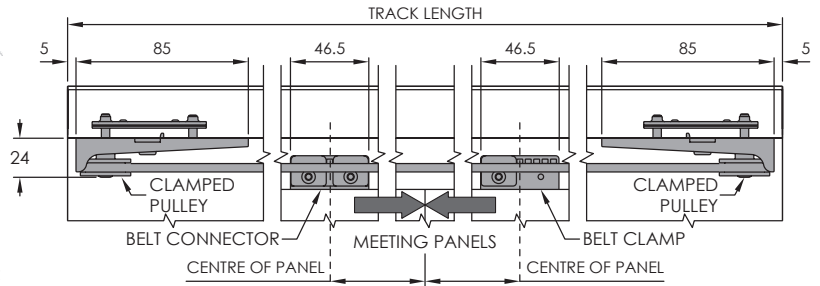


2 PANEL SIMULTANEOUS SINGLE RUN 100 HANGERS SHOWN



** MAX CLEARANCE DEPENDENT ON SINGLE RUN USED

SIMULTANEOUS KIT HARDWARE

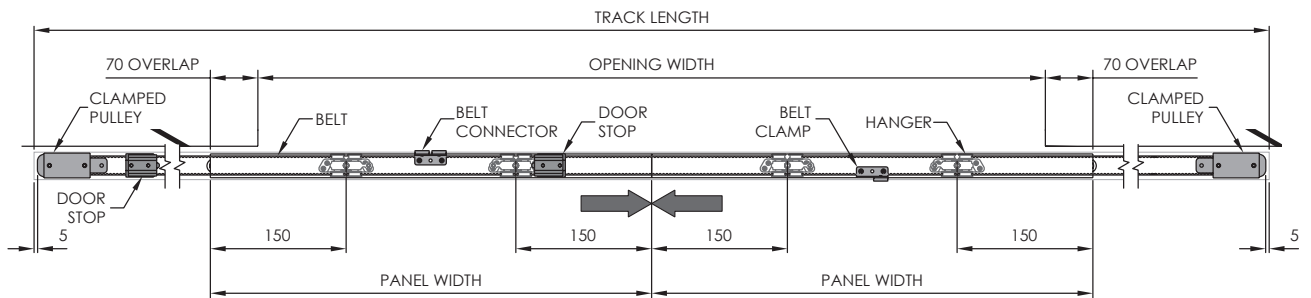


SIMULTANEOUS KIT SPECIFICATIONS

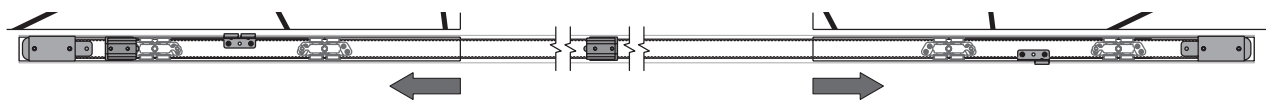
SINGLE RUN	180	350
MAX PANEL WEIGHT	100KG	100KG

FASCIA OPTION

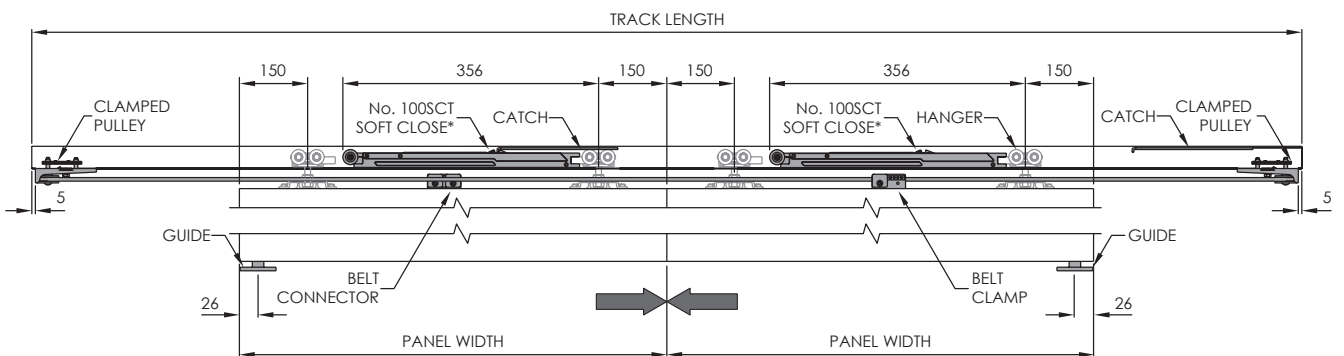
2 PANEL SIMULTANEOUS - CLOSED POSITION



2 PANEL SIMULTANEOUS - OPEN POSITION



2 PANEL SIMULTANEOUS - SOFT CLOSE OPTION DOUBLE SOFT CLOSE SEPARATE PANELS - MAX 50KG PER PANEL



*WHEN USING No. 120SCT SOFT CLOSE:

1. CLEARANCE 25-29
2. No. 120A TRACK TO BE USED WITH AN ANODISED FINISH ONLY, FASCIA OPTION AVAILABLE