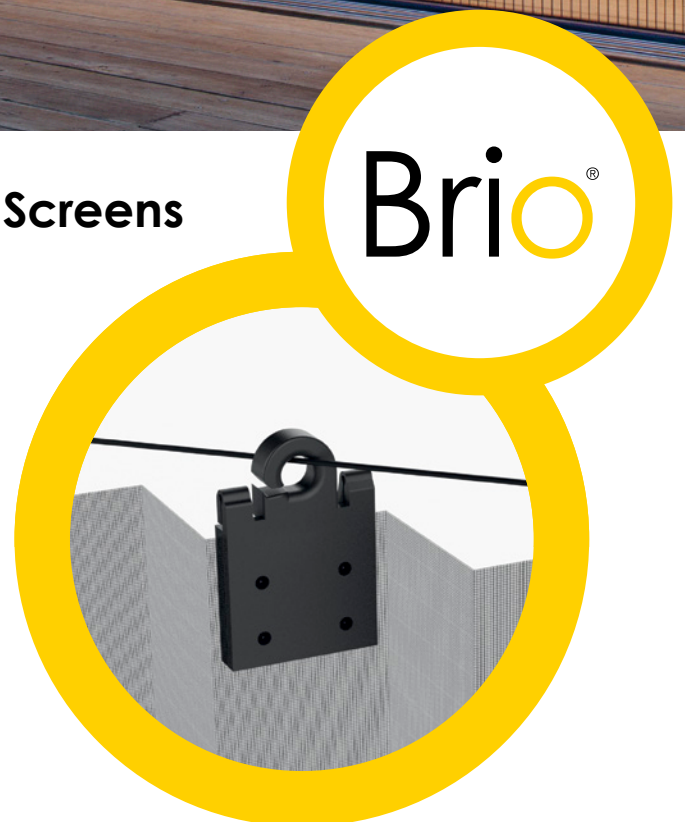




Brio high performance kit for 612 Screens

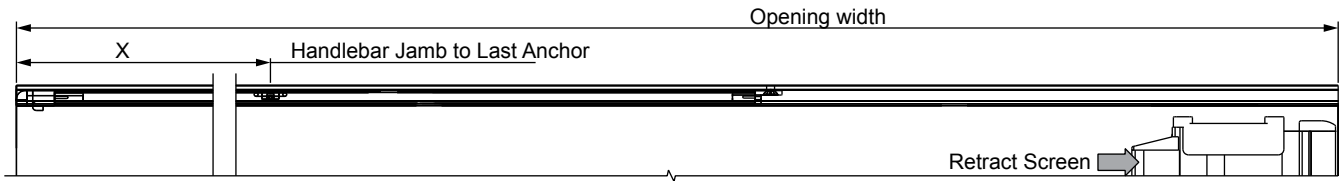
- System of UV stable clips and SS cable work together to retain pleated screen inside top track
- Recommended for screens 2.6m and taller or in breezy environments
- Easily installed after screen installation complete
- Retrofittable on existing screens in sliding or folding systems
- Kit suitable for all screens up to 4.5m wide
- Order code KIT-HP

Brio®



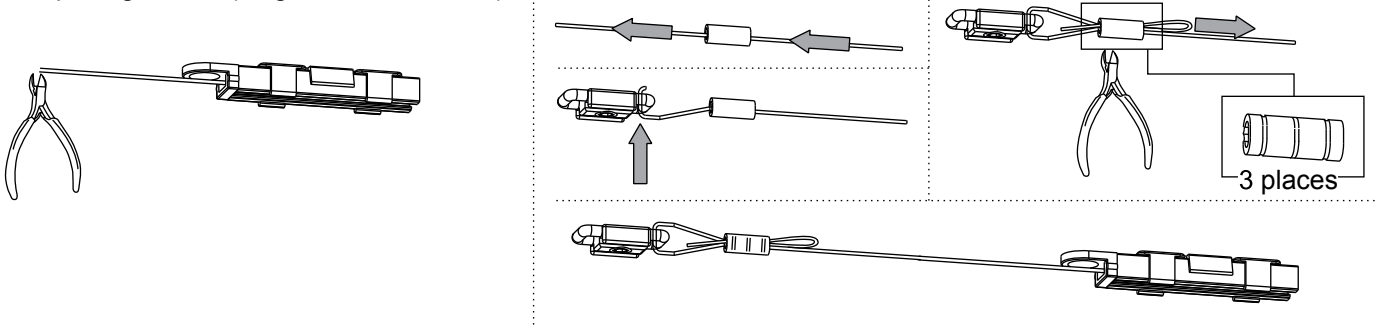
KIT-HP: High Performance Kit for 612 Screen

Measure the following.

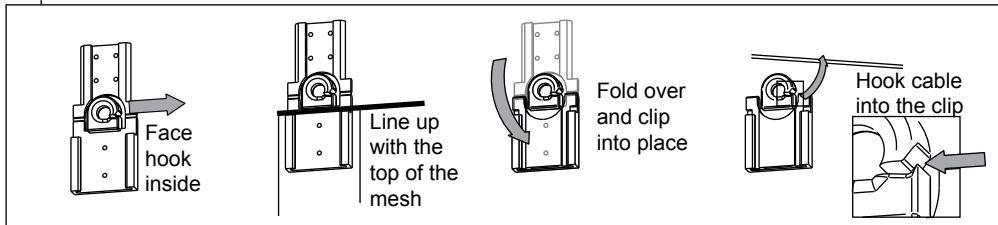


Cut the cable to the correct length
 = Opening width - (length of 'X' + 100mm)

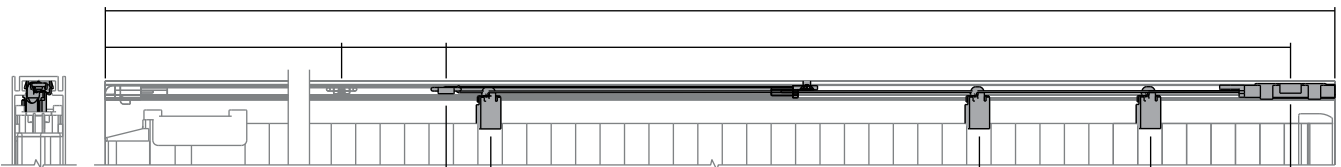
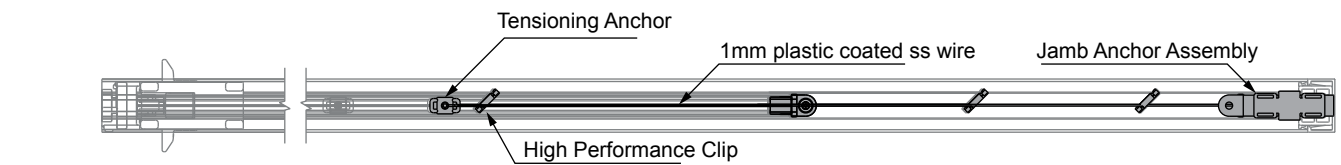
Attach cable to the jamb anchor; crimping in 3 places.



Attach the clips to the mesh and cable.



Repeat steps for all clips



The last clip is to be 250mm from the Tensioning Anchor.

Clips are to be spaced 300mm apart.

600mm from the Jamb mount to the first clip.