

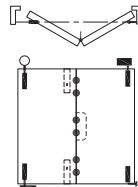
This Guide to Quantities is only applicable to Data Sheet E100.2.

Specification for Individual Panels

Track System	Weatherfold 4s Window 35
Refer to Data Sheet	E100.2
Max Panel Height	1800mm
Max Panel Weight	35kg
Max Panel Width	1000mm
Min Panel Thickness	35mm
Max Number of Panels	6 each direction

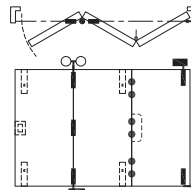
2 Panel Unit

	Quantities	Product Codes
Track	1	120A-A20
Pivot Set	1	BWS1F-35H
Hinge Handle Set	1	BW3-35H
End Hanger Set	1	BWS2(L or R)-35SH
Guide	1	96W-A20
Flush Bolt Top	1	360
Flush Bolt Bottom	1	360E



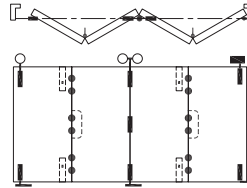
3 Panel Unit

	Quantities	Product Codes
Track	1	120A-A30
Pivot Set	1	BWS1F-35H
Offset Hinge Handle Set	1	BW7-35H
Intermediate Hanger Set	1	BWS4-35SH
Guide	1	96W-A30
Flush Pull	1	401
Flush Bolt Top	2	360
Flush Bolt Bottom	2	360E



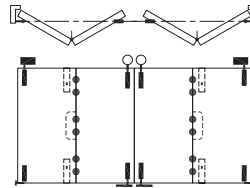
4 Panel Unit

	Quantities	Product Codes
Track	1	120A-A40
Pivot Set	1	BWS1F-35H
Offset Hinge Handle Set	2	BW7-35H
Intermediate Hanger Set	1	BWS4-35SH
End Hanger Set	1	BWS2(L or R)-35SH
Guide	1	96W-A40
Flush Bolt Top	2	360
Flush Bolt Bottom	2	360E



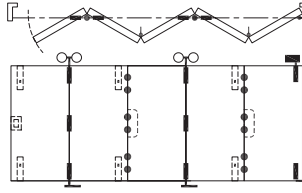
2 + 2 Panel Unit

	Quantities	Product Codes
Track	1	120A-A40
Pivot Set	2	BWS1F-35H
Hinge Handle Set	2	BW3-35H
End Hanger Set	1	BWS2L-35SM
End Hanger Set	1	BWS2R-35SM
Guide	1	96W-A40
Flush Bolt Top	1	360
Flush Bolt Bottom	2	360E



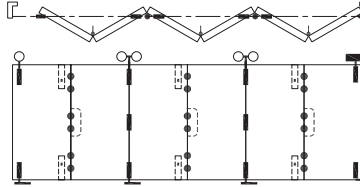
5 Panel Unit

	Quantities	Product Codes
Track	1	120A-A60
Pivot Set	1	BWS1F-35H
Hinge Handle Set	1	BW3-35H
Offset Hinge Handle Set	1	BW7-35H
Intermediate Hanger Set	1	BWS4-35SH
Guide	1	96W-A60
Flush Pull	1	401
Flush Bolt Top	3	360
Flush Bolt Bottom	3	360E



6 Panel Unit

	Quantities	Product Codes
Track	1	120A-A60
Pivot Set	1	BWS1F-35H
Hinge Handle Set	1	BW3-35H
Offset Hinge Handle Set	2	BW7-35H
Intermediate Hanger Set	1	BWS4-35SH
End Hanger Set	1	BWS2(L or R)-35SH
Guide	1	96W-A60
Flush Bolt Top	3	360
Flush Bolt Bottom	3	360E



Application

For residential and commercial folding windows where weatherproofing of the opening is required.

Weatherfold Window 35 is suitable for timber and aluminium systems. It has been specifically developed to suit smaller window stiles with up to six panels folding in one direction.

A low profile concealed bottom guide channel provides hassle-free installation and greater visual appeal.

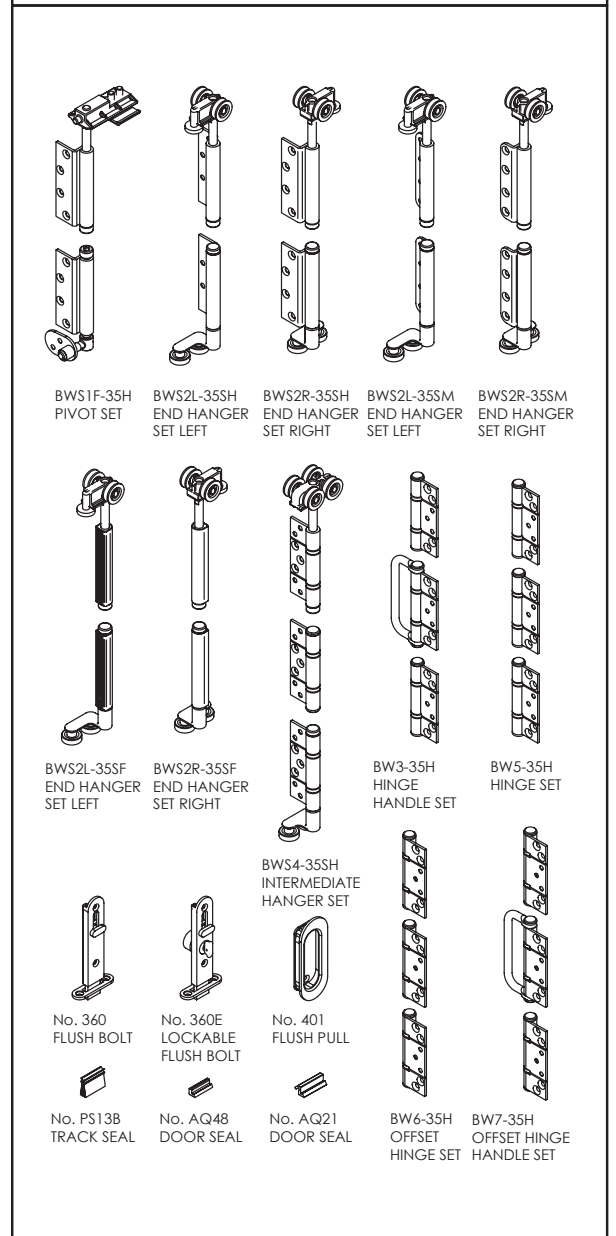
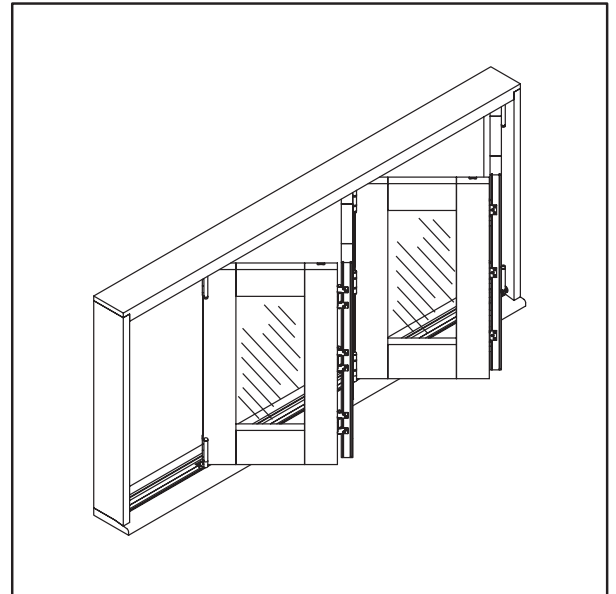
Weatherfold Window hangers are cast 316 marine grade stainless steel with precision stainless steel bearings and nylon wheels.

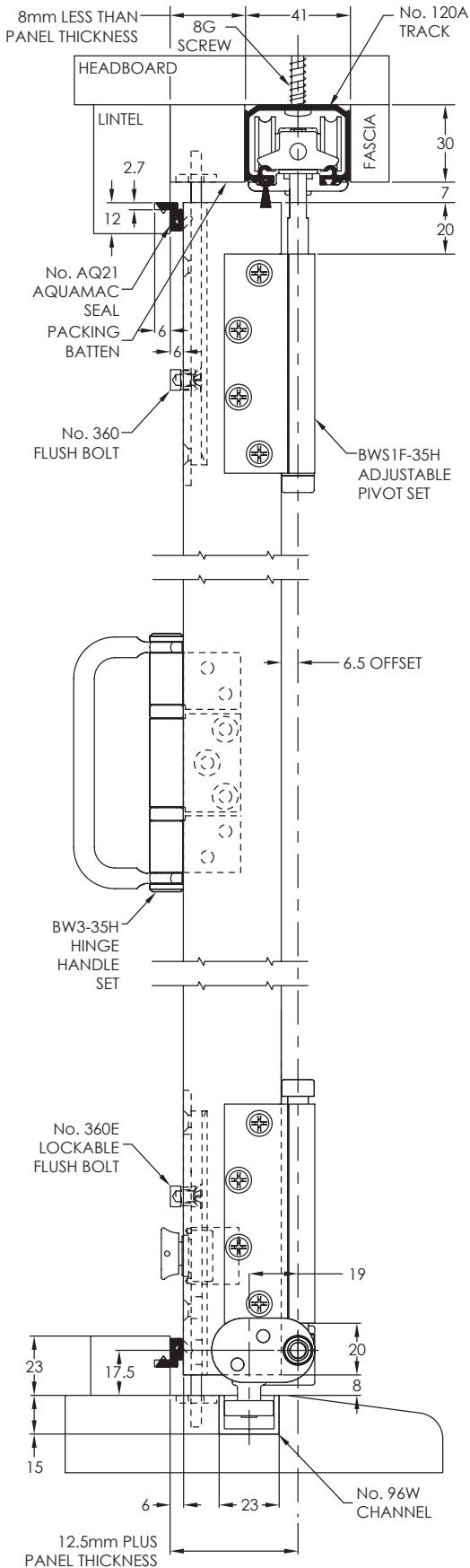
Panel Specification

Track System:	Weatherfold 4s Window 35
Max Panel Height	1800mm
Max Panel Weight	35kg
Max Panel Width	1000mm
Min Panel Thickness	35mm
Max Number of Panels	6 each way

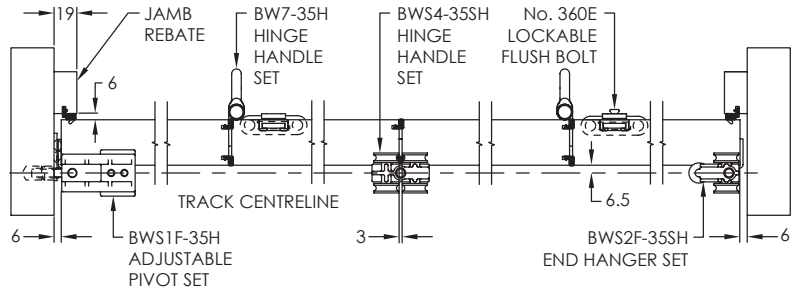
Hardware Specification

Track:	120A
Material	Aluminium, Clear Anodised
Standard Lengths	2000mm, 3000mm, 4000mm and 6000mm
Bottom Guide Channel:	
Recessed Channel	96W
Material	Aluminium
Finish	Clear Anodised
Standard Lengths	2000mm, 3000mm, 4000mm and 6000mm
Hanger Sets:	
End Hanger - Aluminium	BWS2(L or R)-35SH
End Hanger - Timber	BWS2(L or R)-35SM
Intermediate Hanger Set	BWS4-35SH
Pivot Set:	
Top and Bottom Pivots	BWS1F-35H
Hinge Sets:	
Hinge Handle Set	BW3-35H
Offset Hinge Handle Set	BW7-35H
Hinge Set	BW5-35H
Offset Hinge Set	BW6-35H
Accessories:	
Flush Pull	401
Flush Bolt Window Standard	360
Flush Bolt Window Lockable	360E
Flush Bolt Window Necked	360N
Flush Bolt Window Long	360L
Masonry Keeper	360RK
Flush Bolt - Aluminium	512
Flush Bolt - Lockable Aluminium	512E
Frame Seal	AQ21
Window Seal	AQ48
Track Seal	PS13B
Finish options	
Hardware:	(SS) Satin Stainless, (PS) Polished Stainless
Flush bolts:	360 (SN) Satin Nickel, (PN) Polished Nickel
	512 (SS) Satin Stainless Steel

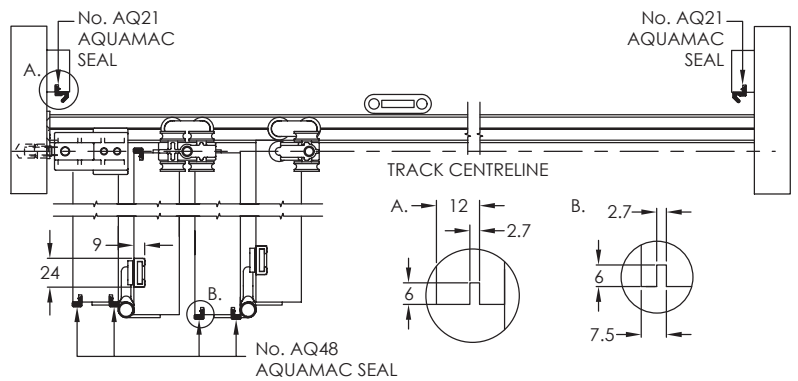




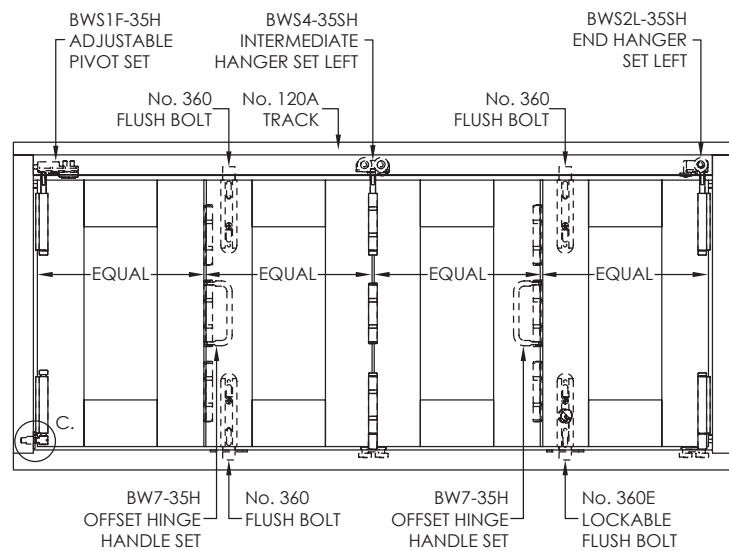
4+0 PANEL OUTWARD OPENING SYSTEM - CLOSED
(SHOWN WITHOUT TRACK OR HEAD SECTION)



4+0 PANEL OUTWARD OPENING SYSTEM - OPEN
(SHOWN WITHOUT HEAD SECTION)



4+0 PANEL OUTWARD OPENING SYSTEM - CLOSED
(TYPICAL OUTSIDE ELEVATION)



THE 6mm GAP MAY BE REDUCED TO 3mm BY CHECKING IN THE JAMB MOUNTING PLATE

